

# ETG-HHB

## HazLoc High Bay User Manual

### GENERAL SAFETY INFORMATION

- To reduce the risk of death, personal injury or property damage from fire, electric shock, falling parts, cuts/abrasions and other hazards, please read all warnings and instructions included with and on the fixture box and all fixture labels.
- Before installing, servicing, or performing routine maintenance upon this equipment, please follow these general precautions.
- Commercial installation, service and maintenance of luminaires should be performed by a qualified electrician.
- **DO NOT INSTALL DAMAGED PRODUCT!**
- This fixture is intended to be connected to a properly installed and grounded UL listed junction box.
- Make sure that the supply voltage is the same as the luminaire voltage.
- DO NOT install where the marked operating temperatures exceed the ignition temperatures of the hazardous atmosphere.
- DO NOT operate in ambient temperatures above those indicated on the luminaire nameplate.
- All gasket seals must be clean and undamaged.

### WARNING

#### RISK OF ELECTRICAL SHOCK

- Turn off electrical power at fuse or circuit breaker box before wiring fixture to the power supply.
- Turn off the power when you perform any maintenance.
- Verify that supply voltage is correct by comparing it with the luminaire label information.
- Make all electrical and grounded connections in accordance with the National Electrical Code and any applicable local code requirements.
- All wiring connections should be capped with UL approved wire connectors.
- Luminaire must be supplied by a wiring system with an equipment grounding conductor.

### CAUTION

#### RISK OF INJURY

- Wear gloves and safety glasses at all times when removing luminaire from carton, installing, servicing or performing maintenance.
- Avoid direct eye exposure to the light source while it is on.
- Account for small parts and destroy packing material, as these may be hazardous to children.

### CAUTION

#### RISK OF FIRE

- Keep combustible and other materials that can burn away from luminaire and lamp/lens.
- MIN 105°C SUPPLY CONDUCTORS.

### Operating Characteristic

- Rated Voltage: 100-240/277 Vac or 200-480 Vac, 50/60Hz
- Ambient Temperature Range: -40°C (-40°F) ~ +60°C (140°F)



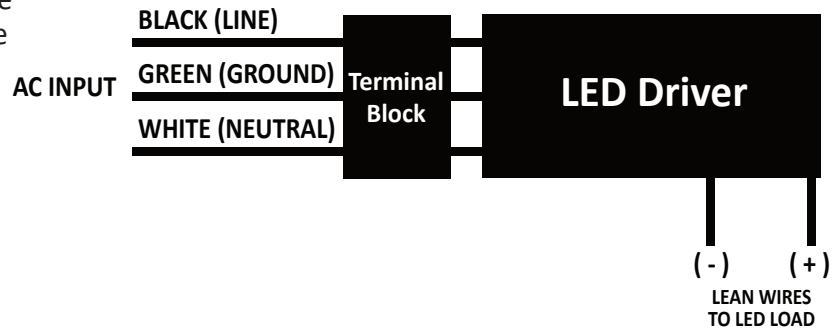
Image is for illustration purposes only.  
Your model may vary.

### GENERAL WIRING DIAGRAM

- **CAUTION:** Turn off electrical power at fuse or circuit breaker box before wiring fixture to the power supply.

Connecting panels to AC source supply:  
All units must be individually connected to the AC supply.

Black = Line  
White = Neutral  
Green = Ground



### INSTALLATION & OPERATION

#### Electrical Connection:

1. Loosen the ten M6 hexagon bolts with spring washers and nuts of Tank Cover with torque value 7 N-m.
2. The thread of entry hole of Tank is 3/4" NPT. Attach the Tank to suitable conduit.
3. Inset the wire from outside through the conduit and the entry hole of Tank, then connect to Terminal Block.
4. Introduce the wires of branch circuit as following:

**Black wiring connects to Line**

**White wiring connects to Neutral**

**Green wiring connects to Ground**

5. Re-attach the Tank Cover and tighten it by ten M6 hexagon bolts with spring washers and nuts with torque value 7 N-m.
6. Check the tightness of conduit and Tank Cover.

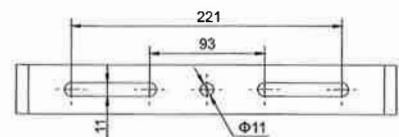
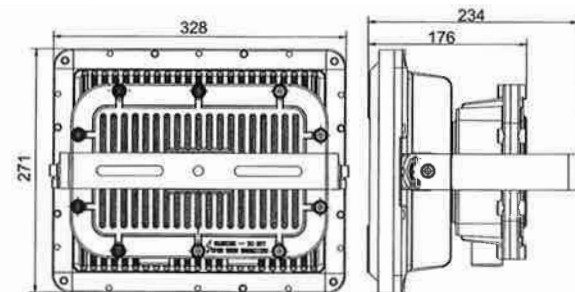


Figure 1



#### Wall/Ceiling/Floor Mounting Bracket:

7. The mounting bracket is for the use of wall/ceiling/floor mounting.
8. Position the mounting bracket and fix it by means of two M6 and two M8 hexagon bolts with spring lock washers.
9. Secure the wall/ceiling/floor mounting bracket to the structure by using screws. (not provided). **FIGURE 1**
10. The luminaire can be adjusted facing down 90° from vertical = Lens horizontal facing down on ceiling position. **FIGURE 2**
11. The luminaire can be adjusted up and down by 45° on wall/floor position only. **FIGURE 3**

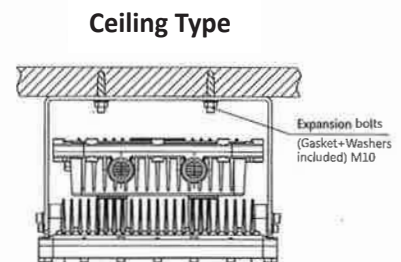


Figure 2

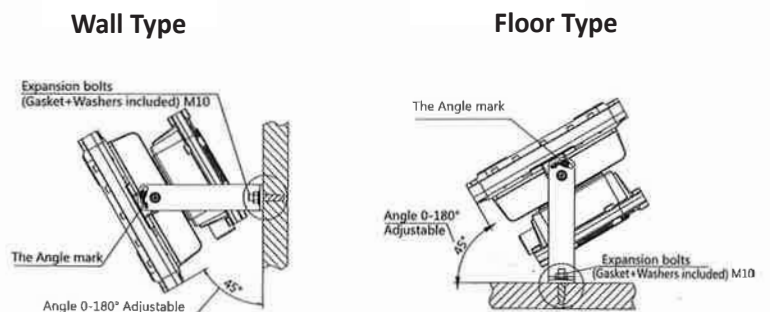


Figure 3

**SERVICING**

- To avoid personal injury, disconnect power to the light and allow the unit to cool down before performing maintenance.
- Perform visual, electrical and mechanical inspections on a regular basis. The environment and frequency of use should determine this. However, it is recommended that checks should be made at least once a year. Frequency of use and environment should determine this.
- The external glass should be cleaned periodically to ensure continued luminaire performance. Clean the glass with a clean damp, non-abrasive, lint-free cloth. If this is not sufficient, use a mild soap or a liquid cleaner. DO NOT use an abrasive, strong alkaline or acid cleaner as damage may occur.
- Inspect the cooling fins on the luminaire to ensure that they are free of any contamination (i.e. excessive dust build-up). Clean with a non-abrasive cloth if needed.
- Mechanically check to make sure all parts are properly assembled.
- Electrically check to make sure that all connections are clean and tight.

**HOUSING**

- Heavy-duty Anodized Die Casting Aluminum
- Shell surface of electrostatic spraying - long lasting and durable
- Shell protection - Over-voltage and Over-heat protection
- Exposed fasteners with quality stainless steel
- Excellent anti-corrosive property

**TECHNICAL SUPPORT**

Tel: 317 916-4274

Web: <http://www.hornerlighting.com>

Fax: 317 639-4279

Email: [techspt@HornerETG.com](mailto:techspt@HornerETG.com)