



Shown with optional flange mount & dome guard

2000XL Series

Hazardous Location Non-Metallic Compact LED Warning Light

Tomar Electronics model 2000XL series is a compact Hazardous Location LED warning light engineered to perform in the harshest environments. Constructed of 30% glass-filled thermoset polyester it is particularly well-suited for installations in corrosive, wet NEMA 4X harsh environments, and hazardous locations. This high strength FRP material is resistant to the corrosive effects of most chemicals, hydrocarbons and solvents.

Typical applications include manufacturing plants, chemical and petrochemical processing facilities, sewage treatment plants, off-shore and dockside installations, agricultural, commercial, industrial, mining and marine facilities.

Totally non-metallic these warning lights are fully sealed for NEMA 4X capability in any mounting configuration – base up, down or side positions. Their compact design makes them ideally suited where space consideration may be an issue.

Unique mounts allow for Pendant, Flange (Ceiling), or Wall mount installations. Buy just the mounting style you need, or install directly onto approved panel surface. Optional dome guard is also available.

Available in either Flashing or Steady-burn mode, this model will operate over a wide AC and DC input voltage range. The DC version operates from 10-100 VDC, and the AC version from 85 – 265 VAC.

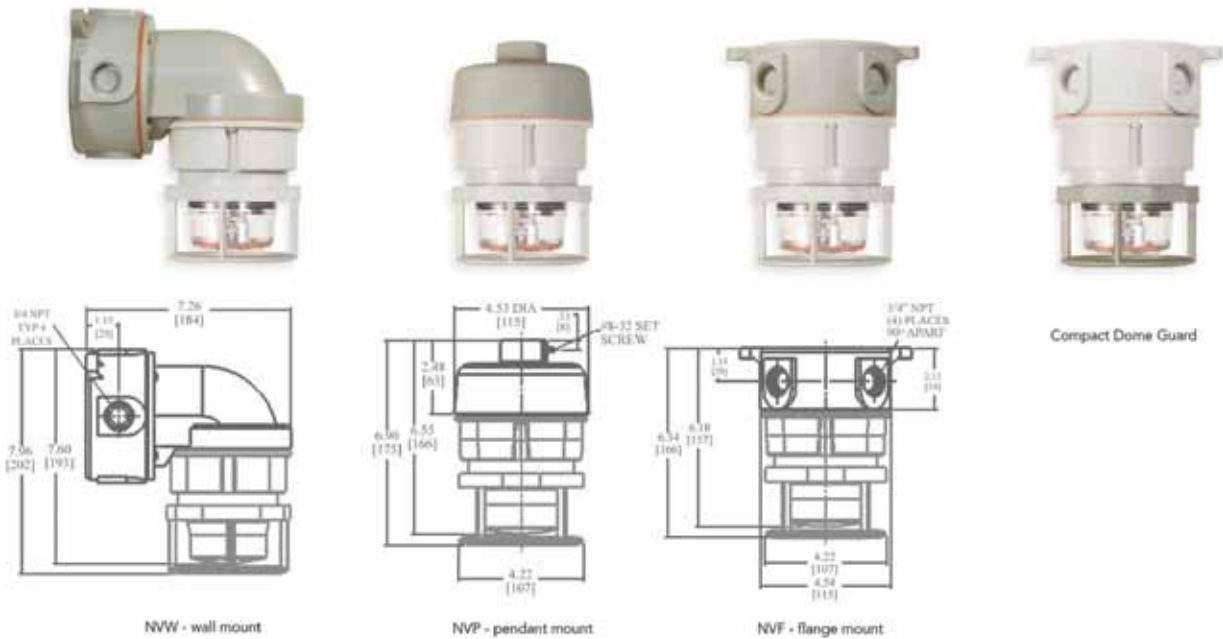
- **Class I, Division 2 Groups A, B, C, & D**
- **Class I, Zone 2, Groups IIC, IIB, IIA**
- **Class II Division 2 Groups F & G; Class III**
- **CSA Enclosure Type 4X, IP66**
- **NEMA 4X, Marine Rated**
- **5-year warranty**
- **Sealed construction**
- **5 LED Colors – Amber, Blue, Green, Red, White**
- **Top Blackout Cap**

 to the following standards:

- **UL 1598 Standard for luminaires**
- **UL 1598A Marine luminaires**
- **UL 844 Standard for lighting fixtures for hazardous locations**
- **UL 1638 Standard for visual signaling applications**
- **CSA C22.2 no. 137-M1981 electric luminaires for use in hazardous locations**
- **Enclosed and gasketed, NEMA 3, 4X, IP66**



Cap Colors



Ordering Information

Please specify LED color, and if blackout cap is required. Available LED colors are Amber, Blue, White, Green and Red.

Model No.	Description	Voltage
2024XLF	Flashing LED - body only	12-80 VDC
2124XLF	Flashing LED - body only	120 - 240 VAC
2024XLS	Steady-Burn LED - body only	12-80 VDC
2124XLS	Steady-Burn LED - body only	120 - 240 VAC

Note: Mounts and Compact Dome Guard sold separately.



Specifications

Item	Description
Lamp Type	LED
Flash Rate	75 NEOBE flashes per minute – each flash containing 7 rapid bursts of light (approximately 560 ms "on-time" and 240 ms "off-time")
Voltage & Amperage	200 mA @ 24 VDC Flashing / 420 mA Steady-burn 040 mA @ 120 VAC Flashing / 085 mA Steady-burn 020 mA @ 240 VAC Flashing / 045 mA Steady-burn
Temperature Range	-40° C to +65° C
Temperature Code	T6

Architect and Engineer Specifications

Visual signaling beacon shall be Tomar Electronics model number 2024XLF, 2124XLF, 2024XLS, or 2124XLS or approved equal. The beacon shall be cCSA/us Listed Class I, Division 2, Class I, Zone 2, Class II, Division 2, and Class III for use in specified hazardous locations and / or combustible atmospheres as classified by the National Electric Code. The warning beacon shall be of non-metallic glass-filled thermoset polyester construction. The light source shall be a single high-power LED. DC voltage range shall be from 10-100 VDC, and AC voltage range from 85 – 265 VAC. The warning signal shall be NEMA 4X rated in any mounting configuration – base up, down, or side positions.

Available Mounts & Guard Options

Item	Description
NVP	Pendant mount
NVF	Flange / Ceiling mount
NVW	Wall mount
NVGM	Compact dome guard