

LED Explosion-proof Light

EP-02-G3

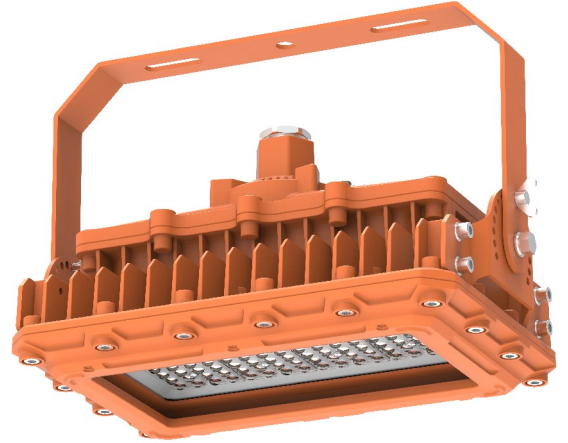


Better solutions for LED Explosion-proof Light

- IP66 water-proof
- AC100-277V 50/60Hz
- Easy Installation
- 140lm/W
- Operating Temp.: -40°C ~ +50°C
- Storage Temp.: -40°C ~ +80°C

Options

Driver	Housing Color	CCT
Sosen Driver	Grey	3000K
	Orange	4000K
		5000K
		5700K



CLASSIFICATIONS & RATINGS

- Class I , Division 1 , Groups C , D
- Class I , Division 2 , Groups A , B , C , D
- Class II , Division 2 , Groups E , F , G
- Class III
- Zone 1,Group IIC
- Zone 2,Group IIC
- Zone 21,Group IIIC
- Zone 22,Group IIIC



II 2G Ex db IIC T6 Gb
II 2D Ex tb IIIC T80°C Db IP66

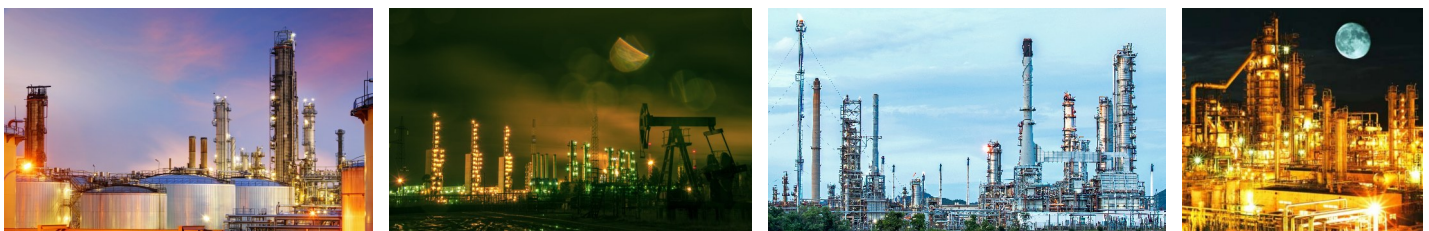
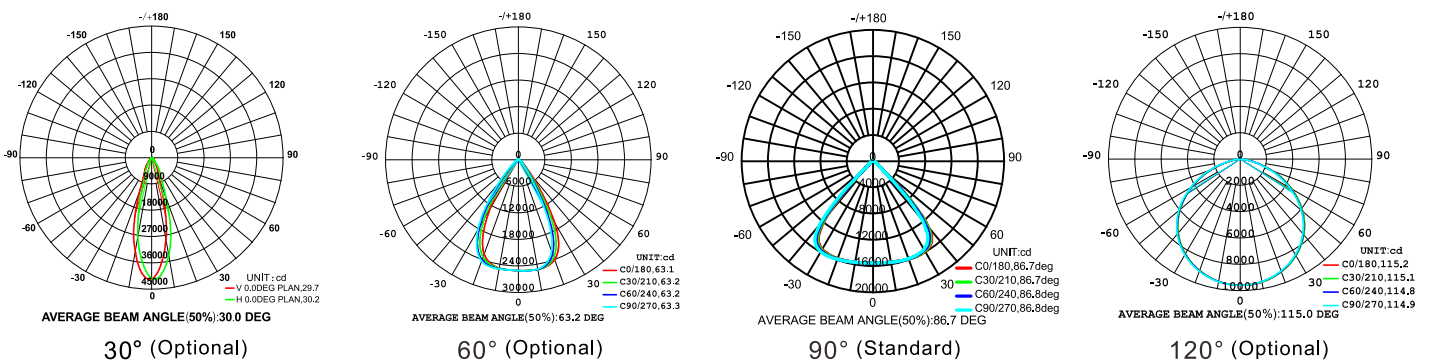
Application

The Explosion Proof Light can be widely used in Refineries,Fuel depots,Marine vessels,Chemical production processing,Food processing,Wineries, and otherhigh humidity,high temperature dusty places.

Specifications

Item	Power	Effi.	Leds	CRI	Weight	Beam Angle
EP30W-02-G3	30W	140lm/W	Lumileds	>80	6.65kg(14.66lbs)	30°/60°/90°/120°
EP50W-02-G3	50W	140lm/W	Lumileds	>80	6.65kg(14.66lbs)	30°/60°/90°/120°
EP60W-02-G3	60W	140lm/W	Lumileds	>80	6.65kg(14.66lbs)	30°/60°/90°/120°
EP80W-02-G3	80W	140lm/W	Lumileds	>80	6.65kg(14.66lbs)	30°/60°/90°/120°
EP100W-02-G3	100W	140lm/W	Lumileds	>80	6.65kg(14.66lbs)	30°/60°/90°/120°

Photometry

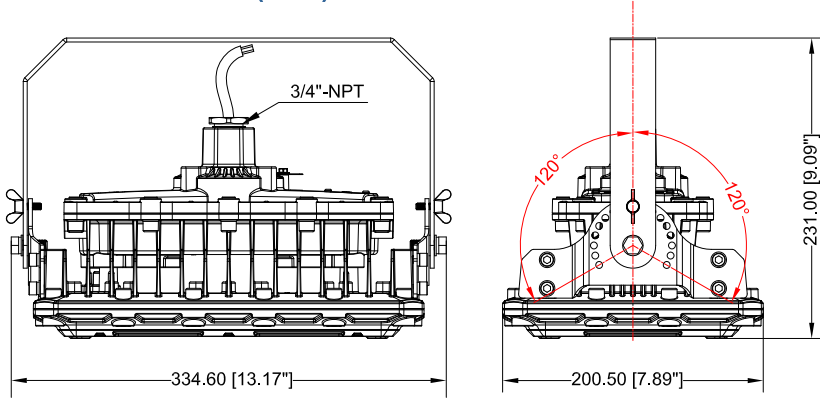


EP-02-G3

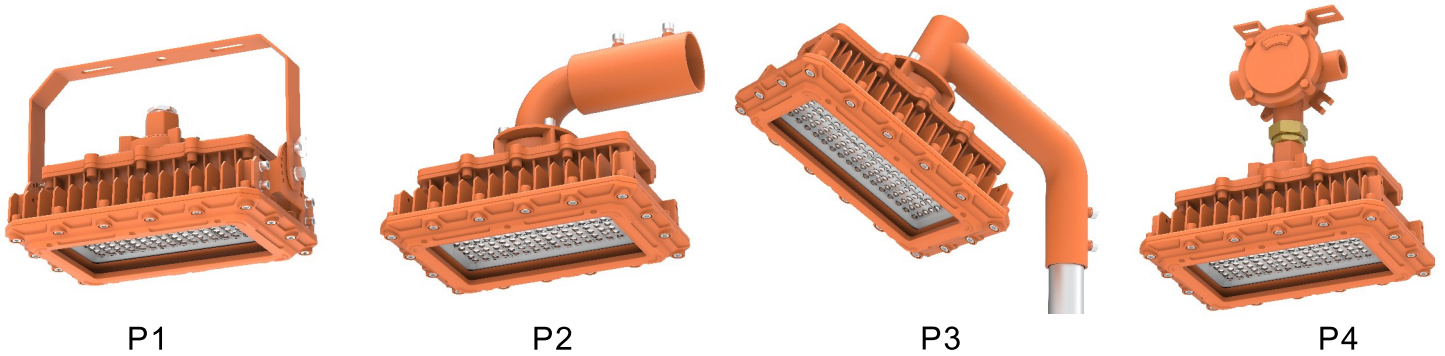
LED Explosion-proof Light



Dimensions(mm)



Model Options



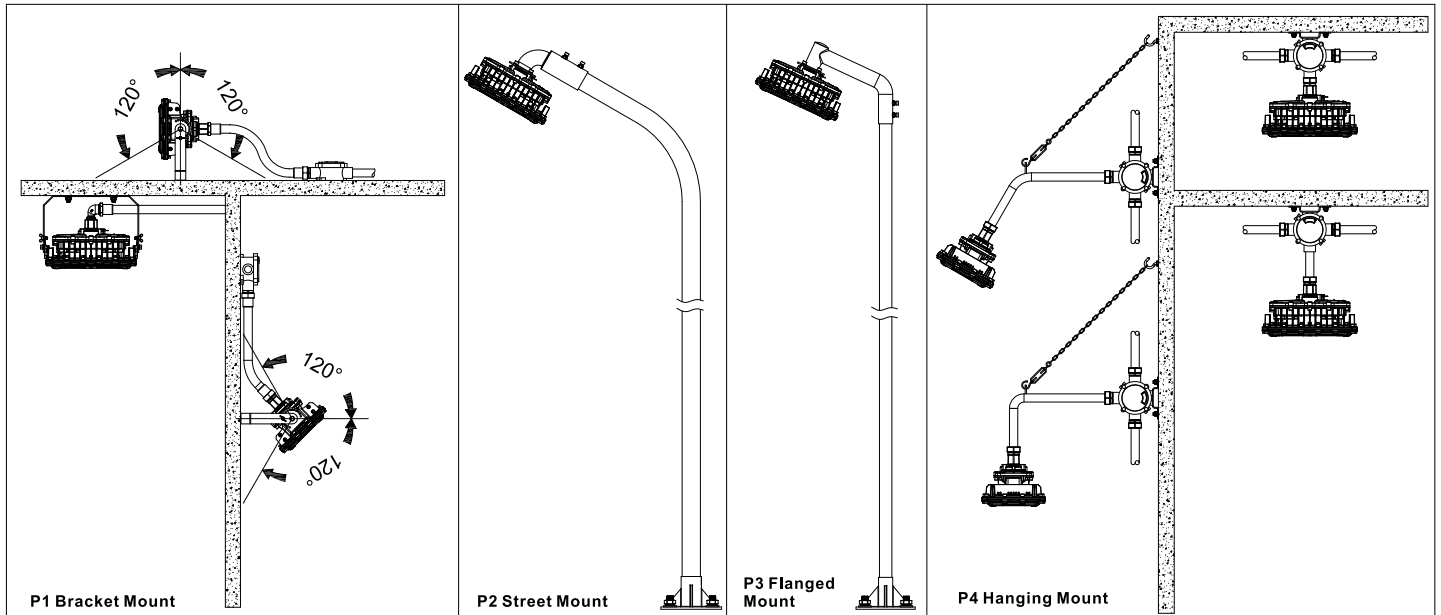
P1

P2

P3

P4

Installation and use



P1 Bracket Mount

P2 Street Mount

P3 Flanged Mount

P4 Hanging Mount

Packing Spec

Item	Box			Carton		
	Measurement(mm)	Gross weight	Pcs/box	Measurement(mm)	Gross weight	Pcs/box
EP30W~100W-02-G3-P1	L385*W330*H235	7.80kg(17.2lbs)	1	/	/	/