

EP-02-G4

ROKEE[®]
— LIGHTING —



120W/150W/180W/
200W/240W/400W/
500W/800W/1000W

30°/60°/90°/120°

FlameProof Explosion Proof Lighting

140lm/W



II 2G Ex db IIC T6 Gb
II 2D Ex tb IIIC T80°C Db IP66

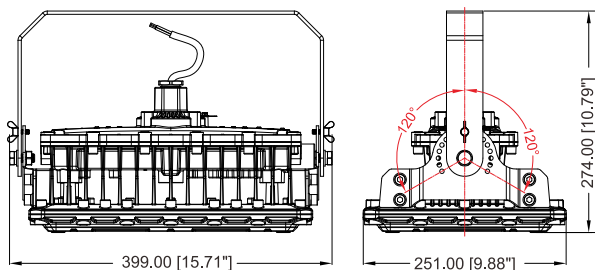
Born for
Industrial
Safety



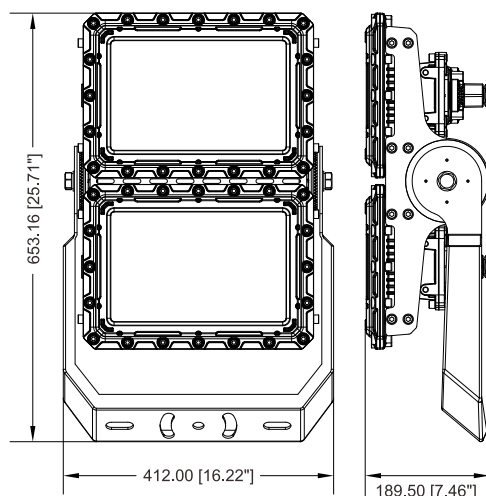
Specification

Item	Power	Effi.	Leds	CRI	Weight	Beam Angle
EP120W-02-G4	120W	140lm/W	Lumileds	>80	10.30kg(22.7lbs)	30°/60°/90°/120°
EP150W-02-G4	150W	140lm/W	Lumileds	>80	10.30kg(22.7lbs)	30°/60°/90°/120°
EP180W-02-G4	180W	140lm/W	Lumileds	>80	10.30kg(22.7lbs)	30°/60°/90°/120°
EP200W-02-G4	200W	140lm/W	Lumileds	>80	10.30kg(22.7lbs)	30°/60°/90°/120°
EP240W-02-G4	240W	140lm/W	Lumileds	>80	10.30kg(22.7lbs)	30°/60°/90°/120°
EP400W-02-G4	400W	140lm/W	Lumileds	>80	23.50kg(51.8lbs)	30°/60°/90°/120°
EP500W-02-G4	500W	140lm/W	Lumileds	>80	23.50kg(51.8lbs)	30°/60°/90°/120°
EP800W-02-G4	800W	140lm/W	Lumileds	>80	43.20kg(95.2lbs)	30°/60°/90°/120°
EP1000W-02-G4	1000W	140lm/W	Lumileds	>80	43.20kg(95.2lbs)	30°/60°/90°/120°

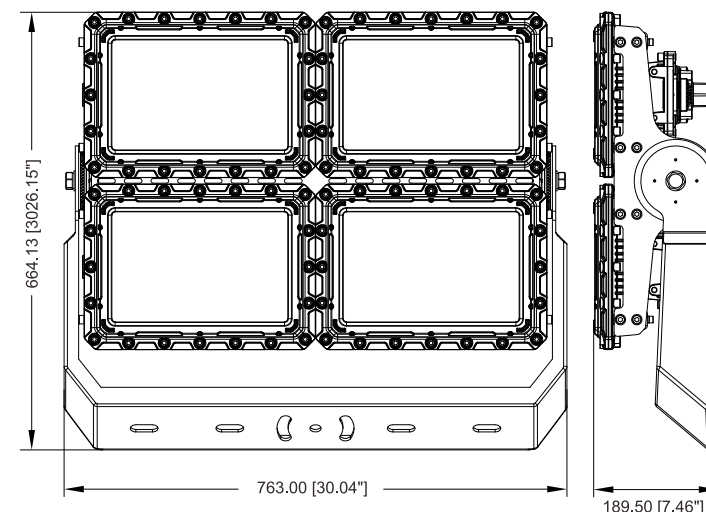
Dimensions(mm)



120W~240W-P1



400W/500W-P1



800W/1000W-P1

EP-02-G4

120W/150W/180W/200W/240W/400W/500W/800W/1000W



120W~240W-P1



120W~240W-P2



120W~240W-P3



120W~240W-P4



400W/500W-P1



800W/1000W-P1



Product description

EP-02 series LED explosion-proof luminaires are suitable for moisture, dirt, dust, corrosion and vibration conditions, or for hazardous locations where flammable gases and dusts as specified by NEC and IEC. For example: They can be widely used in Refineries, Fuel depots, Marine vessels, Chemical production processing, Food processing, Wineries, and other high humidity, high temperature dusty places.

EP-02 series LED explosion-proof lamps has higher efficacy, energy savings, lower maintenance costs and longer lifespan.

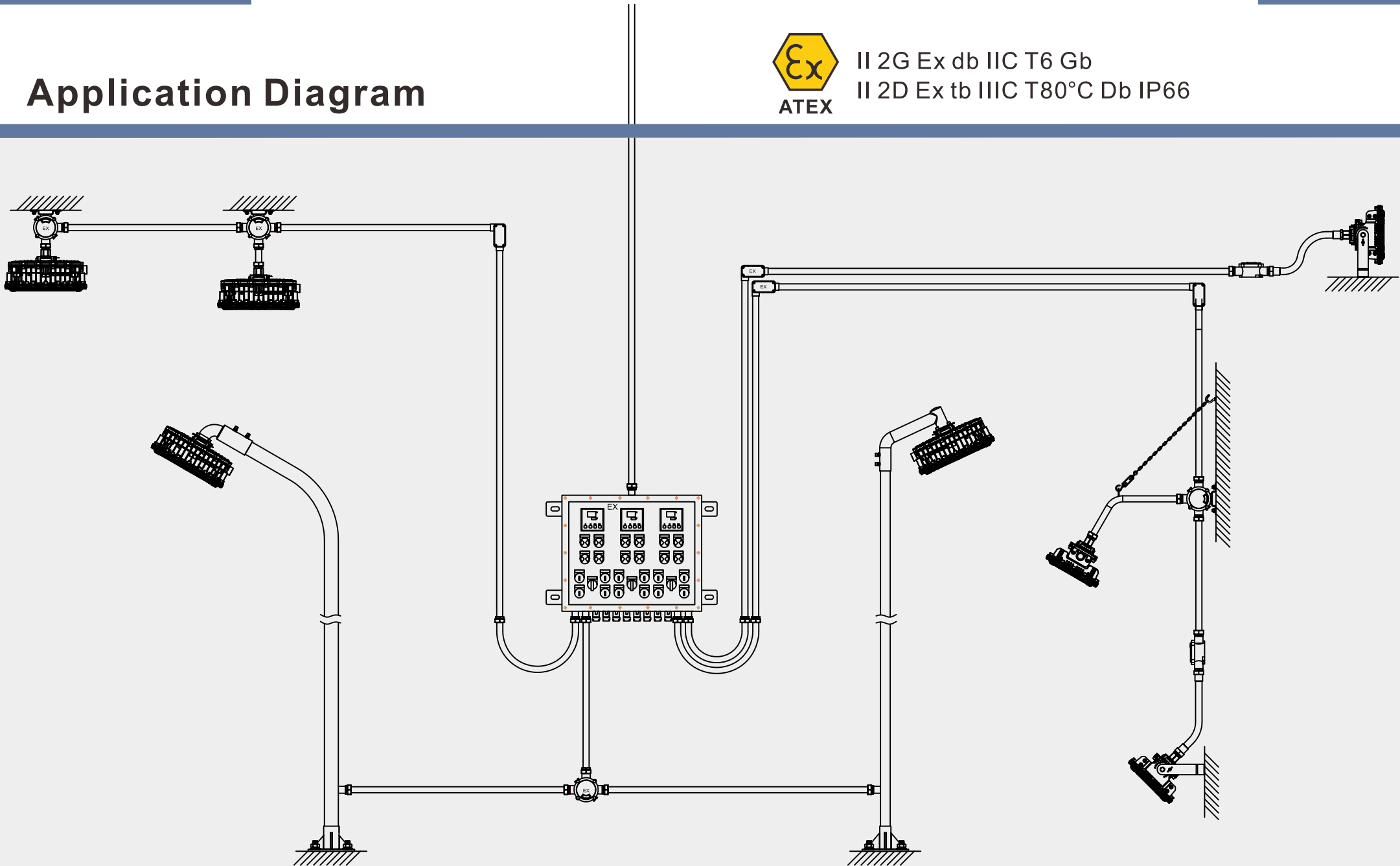
EP-02-G4

120W/150W/180W/200W/240W/400W/500W/800W/1000W

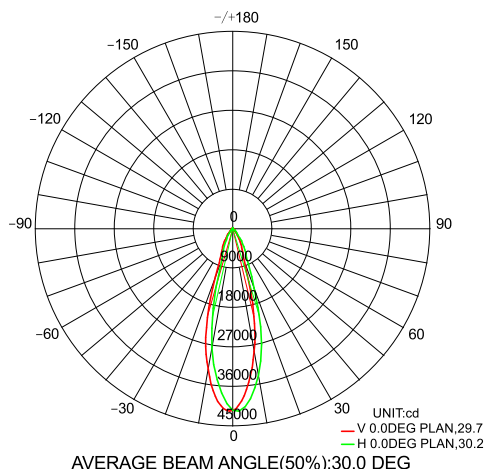
Application Diagram



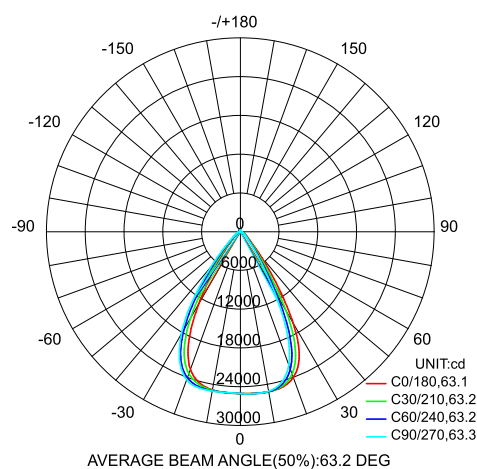
II 2G Ex db IIC T6 Gb
II 2D Ex tb IIIC T80°C Db IP66



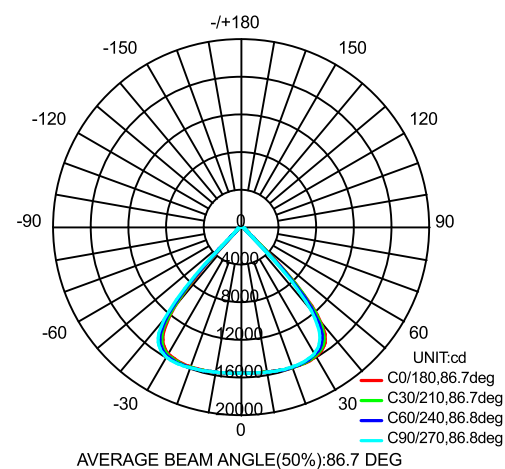
Photometry



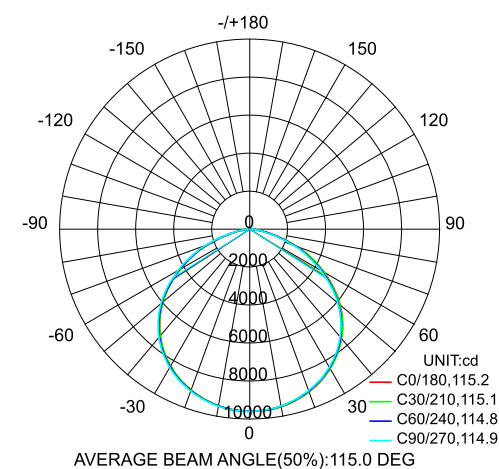
30°



60°



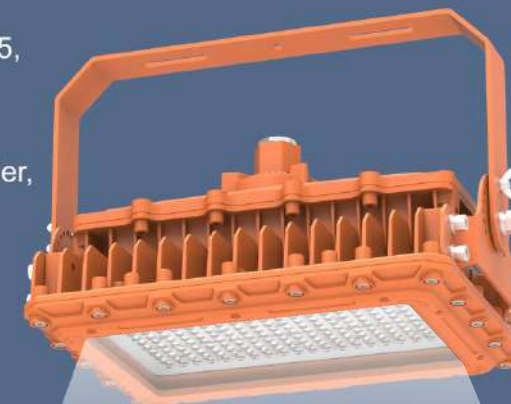
90°

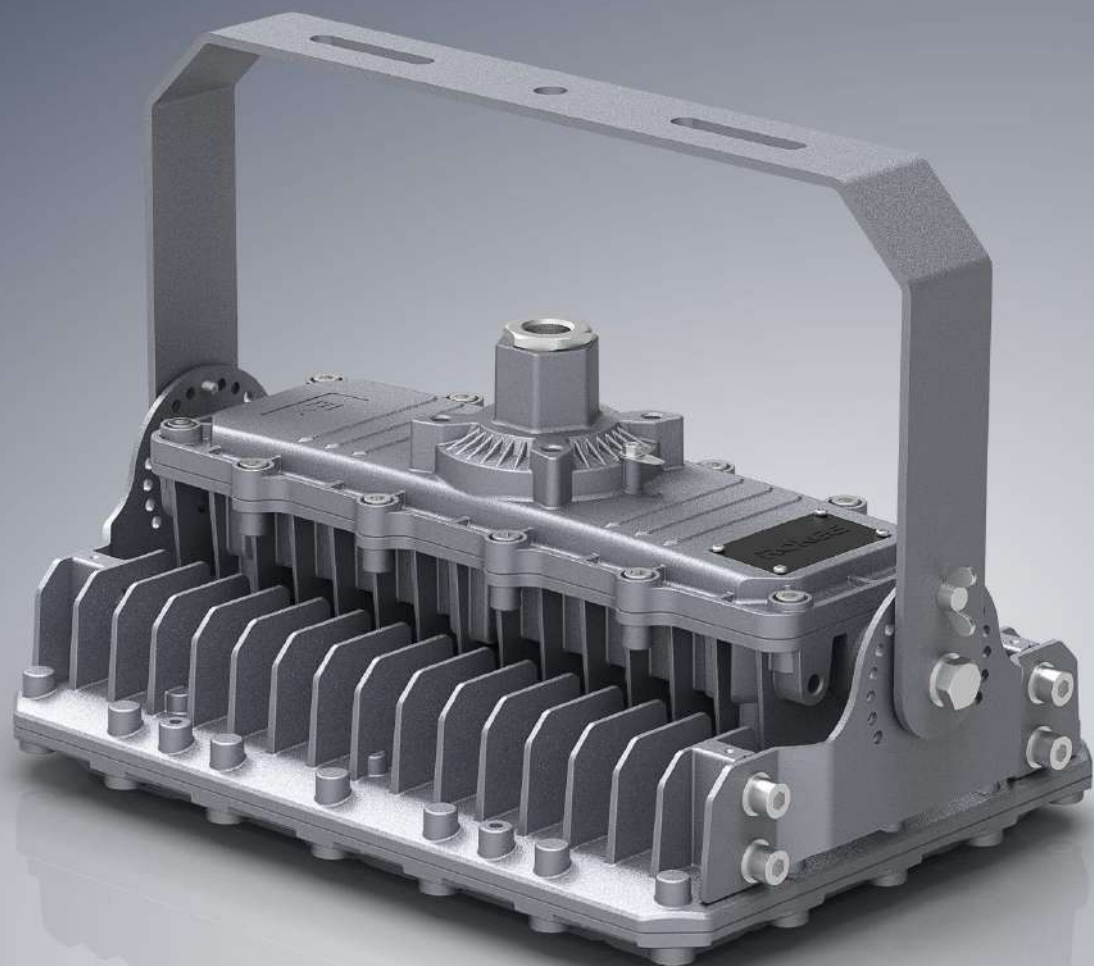


120°

Feature

- ▶ EP-02 Series uses External Explosion Proof Construction. Strictly according to EN 60079-0-2018, EN 60079-28-2015, EN 60079-1-2014, EN 60079-31-2014, IEC60079-0-2017, IEC60079-1-2014, IEC 60079-28-2015, IEC60079-31-2021's standard requirements.
- ▶ The Light Source Space and Quality Driver Space are designed separately to make the volume of each space smaller, so it is much safer and reliable.
- ▶ EP-02 Series uses Wing slip bolt, Toolless beam angle adjustment, Toolless installation;
- ▶ 10mm Tempered Glass (resist 4 Joule impact).
- ▶ IP66 Waterproof
- ▶ All connectors of lamp are made of SUS 304 material;
- ▶ EP-02-G4 is suitable for use in the following hazardous areas:
 - Class I, Division 1, Groups C, D
 - Class I, Division 2, Groups A, B, C, D
 - Class II, Division 2, Groups E, F, G
 - Class III
 - Zone 1, Group IIC
 - Zone 2, Group IIC
 - Zone 21, Group IIIC
 - Zone 22, Group IIIC

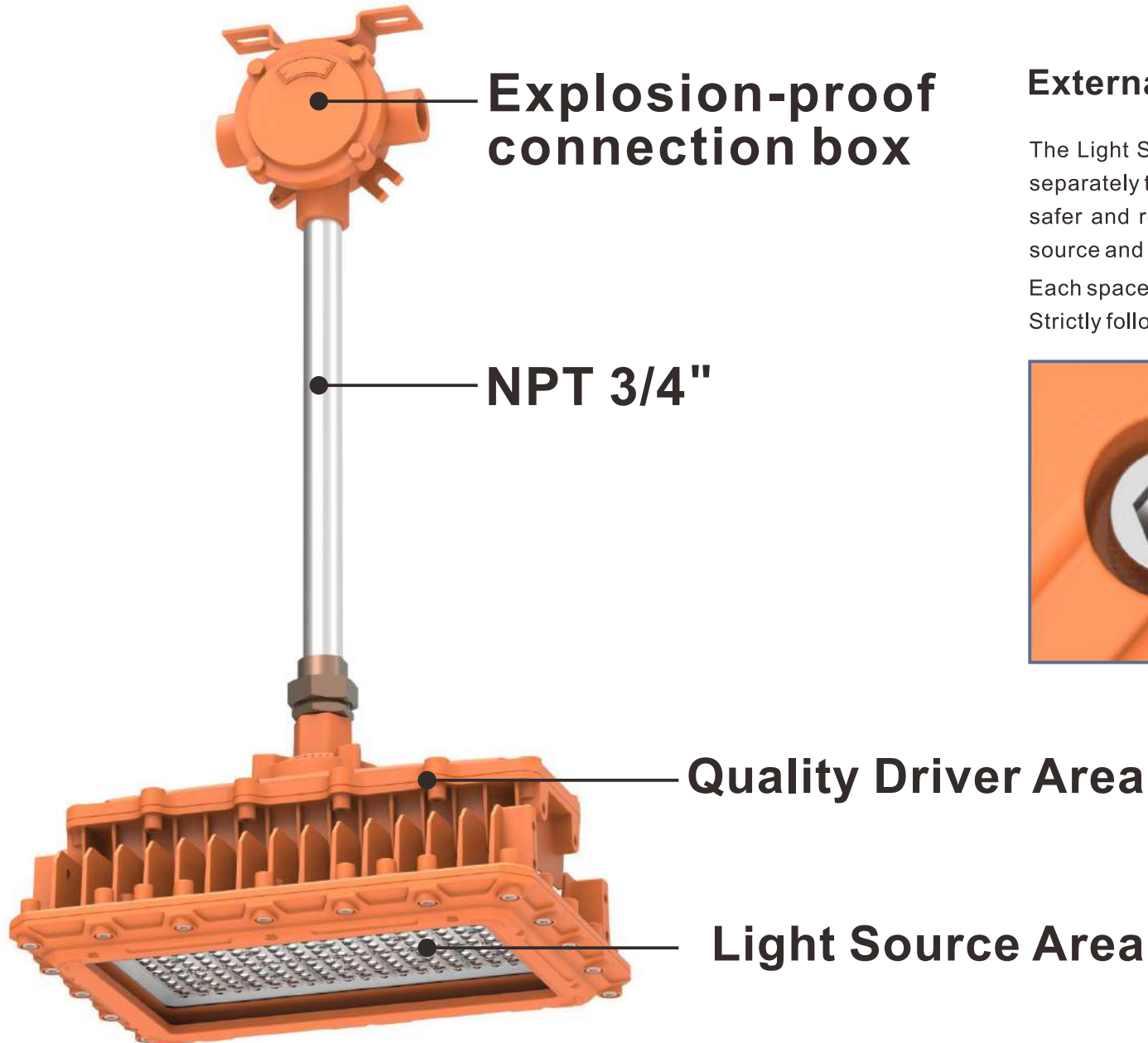




Explosion-proof Housing

EP-02 Series uses External Explosion Proof Construction. Strictly according to EN 60079-0-2018, EN 60079-28-2015, EN 60079-1-2014, EN 60079-31-2014, IEC60079-0-2017, IEC60079-1-2014, IEC 60079-28-2015, IEC60079-31-2021's standard requirements. The Unique design structure has strong impact resistance, excellent sealing performance, ensure the lighting fixture's safety and stability, which can be used for various areas, Such as Refineries, Fuel depots, Marine vessels, Chemical production processing, Food processing, Wineries, and other high humidity, high temperature dusty places.

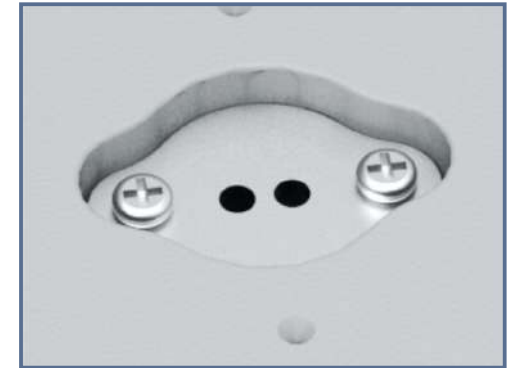
120W/150W/180W/200W/240W/
400W/500W/800W/1000W



External Explosion Proof Construction

The Light Source Space and Quality Driver Space are designed separately to make the volume of each space smaller, so it is much safer and reliable. Also it helps the heat dissipation of the light source and longer lifespan.

Each space uses threads and potting to completely separate. Strictly follow the External Explosion Proof Designs.



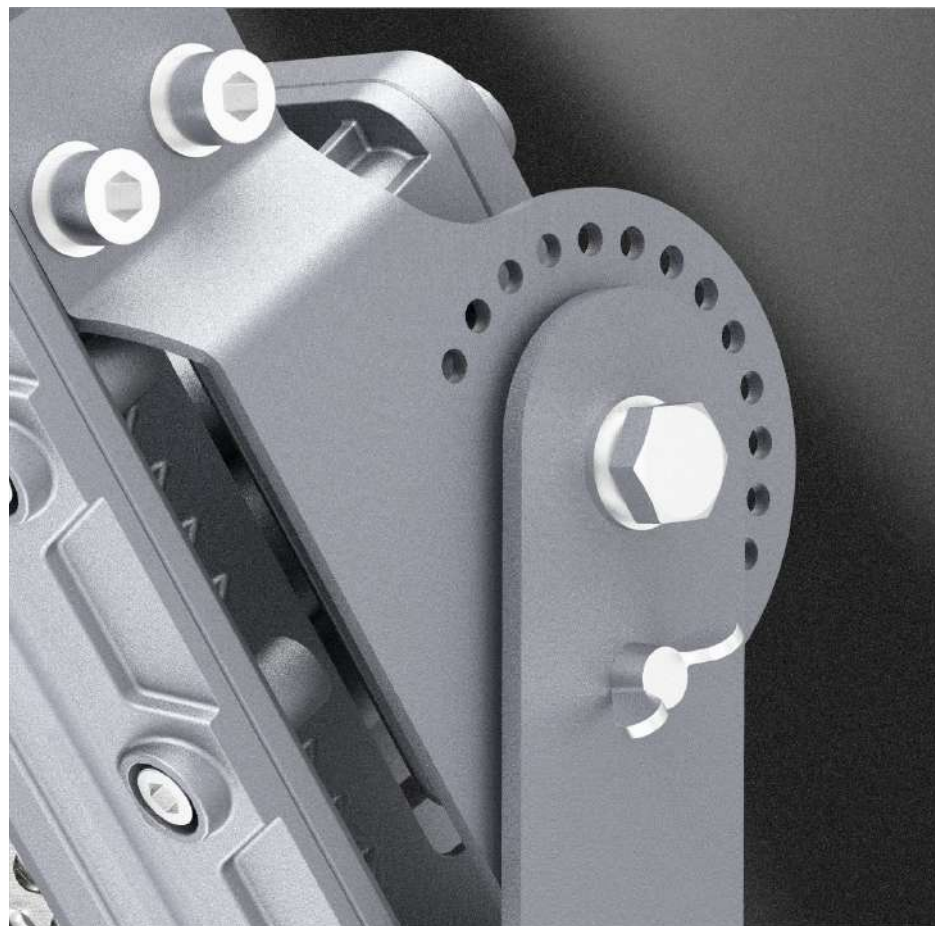
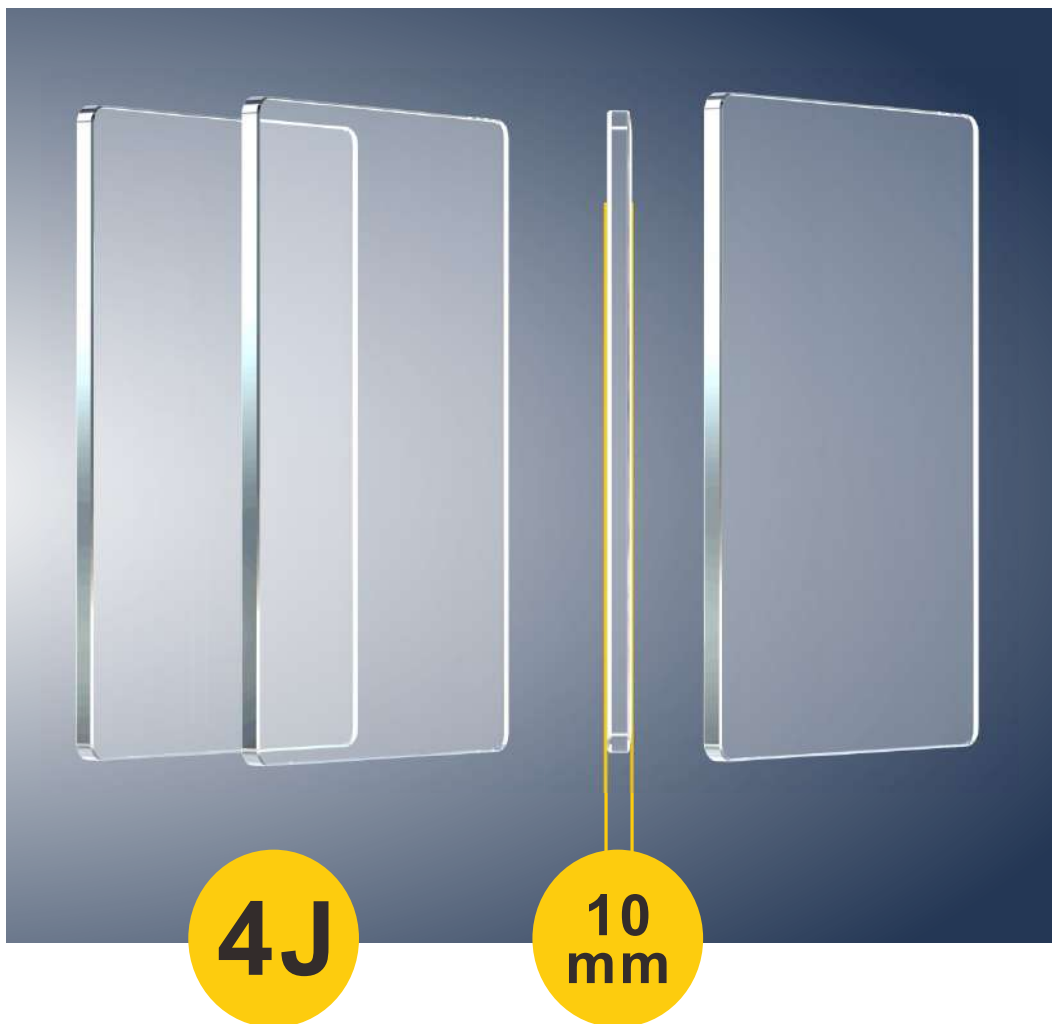
II 2G Ex db IIC T6 Gb
II 2D Ex tb IIIC T80°C Db IP66

EP-02-G4

120W/150W/180W/200W/240W/400W/500W/800W/1000W

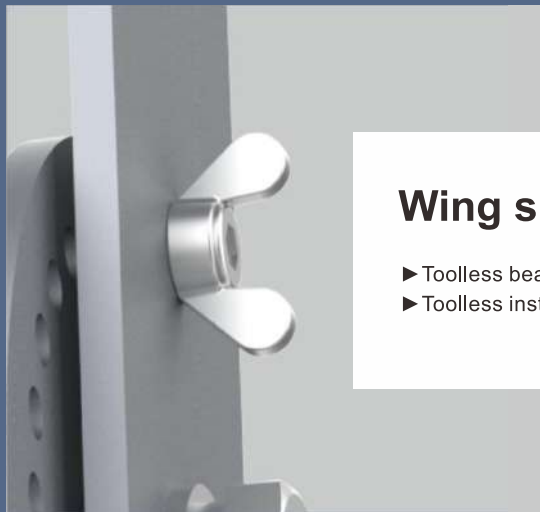
10mm Tempered Glass

EP-02-G4 uses 10mm thickness tempered glass, which is durable, high light transmittance, strong impact resistance. (resist 4 Joule impact)



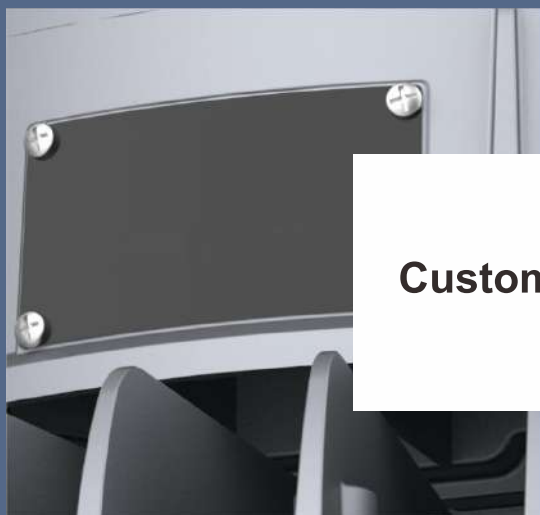
SUS 304

- ▶ All connectors of lamp are made of SUS 304 material;
- ▶ Stronger corrosion resistance. The anti-corrosion grade is C5 ;
- ▶ Outdoor Powder Paint , High rate corrosion resistance, suitable for harsh outdoor environment;
- ▶ The surface is treated with high-voltage electrostatic spraying to prevent static electricity, arcing and electric sparks.



Wing slip bolt

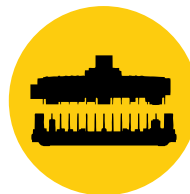
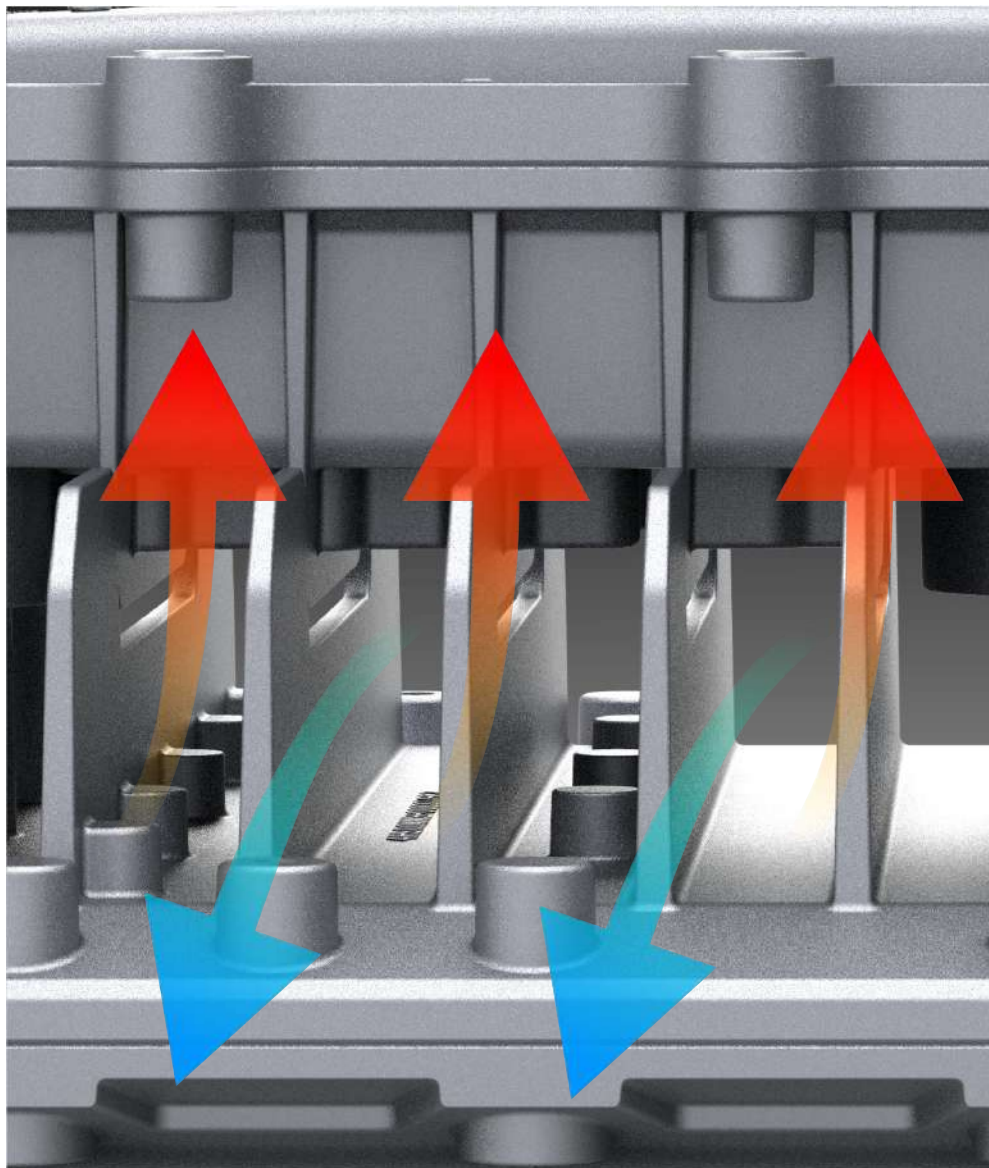
- ▶ Toolless beam angle adjustment;
- ▶ Toolless installation.



Customized Logo

IP66 Waterproof



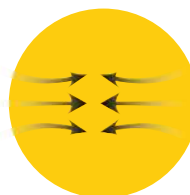


The Light Source Space and Quality Driver Space are designed separately, it helps better heat dissipation and longer lifespan.



EP-02-G4 uses ADC12 Die-casting housing, with nicely 3D heat dissipation.

Perfect Heatsink



EP-02-G4 uses air convection design, which speeds up the heat dissipation of the lamp.



EP-02-G4 uses more 50% larger dissipation area to dissipate.



II 2G Ex db IIC T6 Gb
II 2D Ex tb IIIC T80°C Db IP66

International standards of explosive substances:

Class I: Mine methane;
Class II: Explosive gas mixture (including steam, mist);
Class III: Explosive dust and fibers.

North America of explosive substances:

CLASS I-explosive gas;
CLASS II-explosive dust;
CLASS III - Fiber.

EP-02-G4 is suitable for use in the following hazardous areas:

- Class I, Division 1, Groups C, D
- Class I, Division 2, Groups A, B, C, D
- Class II, Division 2, Groups E, F, G
- Class III
- Zone 1, Group IIC
- Zone 2, Group IIC
- Zone 21, Group IIIC
- Zone 22, Group IIIC



Temperature classes	Ignition temperature range of the mixture	Permissible surface temperature of the electrical equipment
T1	> 450 °C	450 °C
T2	>300 °C ... ≤ 450 °C	300 °C
T3	>200 °C ... ≤ 300 °C	200 °C
T4	>135 °C ... ≤ 200 °C	135 °C
T5	>100 °C ... ≤ 135 °C	100 °C
T6	>85 °C ... ≤ 100 °C	85 °C

EP-02-G4

EP-02-G4

120W/150W/180W/200W/240W/400W/500W/800W/1000W



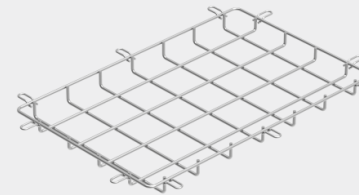
P2 Street Mount



P3 Flanged Mount



Explosion-proof
connection box



Impact Resistant Cover

Others Optional



NPT 3/4"



Explosion-proof elbow



Explosion-proof joint



Explosion-proof cable
clamp close sealing joint



Explosion-proof flexible
connecting tube



Ceiling ring



Safety Rope



Chain

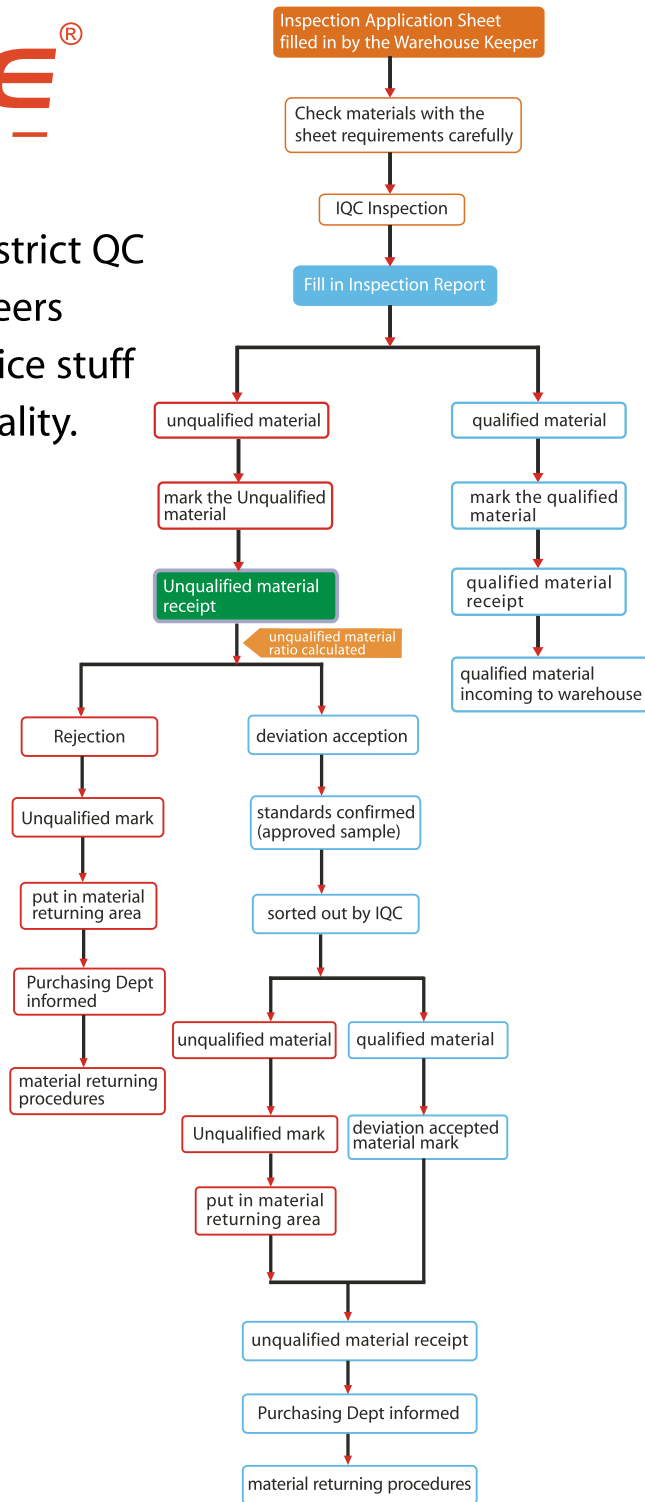


SPD-10KV IP67
SPD-20KV IP67



Examination from strict QC technicians, engineers and customer service staff to ensure good quality.

Quality Control Flowing Chart



Quality System

