



GENERAL SAFETY:

- To reduce the risk of death, personal injury or property damage from fire, electric shock, falling parts, cuts/abrasions, and other hazards, read all warning and instructions included with and on the fixture box and all fixture labels.
- Before installing, servicing, or performing routine maintenance upon this equipment, follow these general precautions.
- Commercial installation, service and maintenance of luminaires should be performed by a qualified licensed electrician.
- DO NOT INSTALL DAMAGED PRODUCT!
- This fixture is intended to be connected to a properly installed and grounded UL listed junction box.
- Make sure that the supply voltage is the same as the luminaire voltage.
- Do not install where the marked operating temperatures exceed the ignition temperatures of the hazardous atmosphere.
- Do not operate in ambient temperatures above those indicated on the luminaire nameplate
- All gasket seals must be clean and undamaged
- To ensure safety, a safety rope can be used to fix the luminaire before installation

WARNING:

RISK OF ELECTRIC SHOCK

- Turn off electrical power at the fuse or circuit breaker box before wiring fixture to the power supply.
- Turn off the power when you perform any maintenance.
- Verify that the supply voltage is correct by comparing it with luminaire label information.
- Make all electrical and grounded connections in accordance with the NEC and any applicable local code requirements.
- All wiring connections should be capped with UL approved wire connectors.
- Luminaire must be supplied by a wiring system with an equipment grounding conductor.

CAUTION:

RISK OF INJURY

- Wear gloves and safety glasses at all times when removing luminaire from carton, installing servicing or performing maintenance.
- Avoid direct eye exposure to the light source while it is on
- Account for small parts and destroy packing material as these may be hazardous to children.

RISK OF FIRE

- Keep combustible and other materials that can burn away from luminaires and lamp/lens.
- MIN 90°C CONDUCTORS

OPERATING CHARACTERISTICS:

Rated Voltage: 120-277 Vac , 50/60Hz
 Ambient Temperature Range: -20°C (-4°F) ~ +45 °C (113 °F)
 The 24-hour charging period is required. 90 minutes of illumination period with a 6w

ENVIRONMENTAL RATINGS:

Suitable for wet location
 IP66 Rating

This fixture is suitable for use in the following hazardous (classified) areas as defined by the National Electrical Code (NEC) and Canadian Electrical Code (CEC):

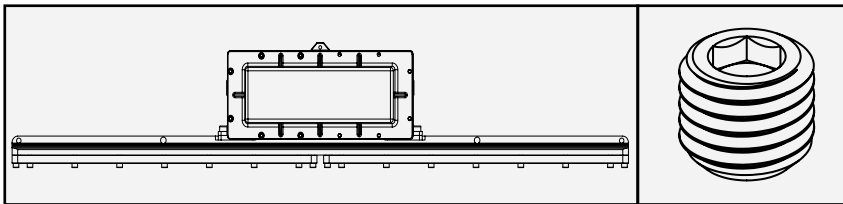
Hazardous Locations
 Class I, Division 1, Groups C, D

Compliances
 UL 844
 UL 924

Refer to the luminaire name-plate for specific classification information, maximum ambient temperature suitability and corresponding operating temperature (T-Code).

What's In The Box

FOR EMERGENCY LUMINAIRE



One (1) XPL1A***EM (and associated hardware)

One (1) 3/4" NPT plug

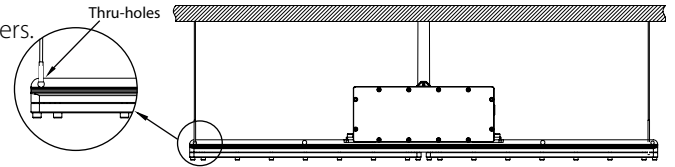
Tools & Materials Needed

This fixture requires very few tools for installation: A drill a pair of wire cutter/strippers, allen wrenches, and appropriate mounting hardware.



SECONDARY RETENTION (kits sold separately)

1. Install Secondary Retention Cable to secure location, using appropriate fasteners.
2. Clip carabiner through thru-holes on top of fixture.



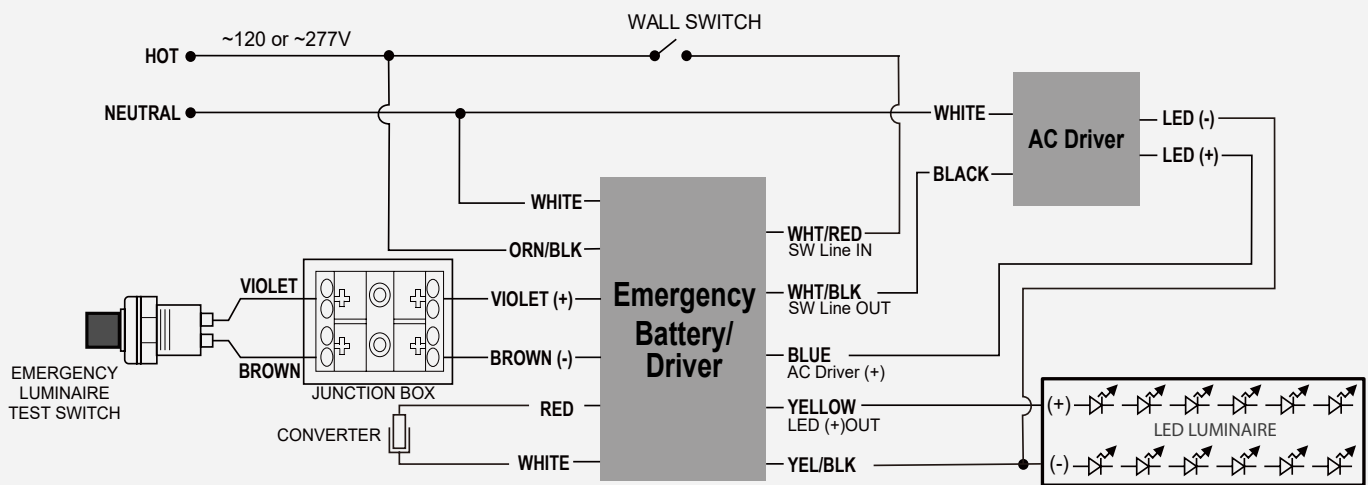
FOR EMERGENCY LIGHTING AND POWER EQUIPMENT

EMERGENCY WIRING INSTRUCTIONS

Caution: Turn off electrical power at fuse or circuit breaker panel before wiring fixture to the power supply.

Connect wiring at terminal block in fixture as follows:

- Black = Line
- White = Common/Neutral
- Green = Ground
- ORN/BLK = Line



THROUGH-WIRING

(NICOR has provided quick-connect wire connectors internal to the luminaire for through-wiring applications.)

1. After unit is properly mounted, remove power supply enclosure cover by loosening the twelve (12) 5mm drive hex retention bolts of Tank Cover at torque value 7N-m.
2. Route wiring between luminaires with appropriate wire and conduit.
3. Locate the three (3) quick-connect wire connectors inside the driver-housing.
4. Connect each wire to the corresponding quick-connect inside the driver housing (see EMERGENCY WIRING INSTRUCTIONS). There is at least one open connector on each quick-connect.
5. Reattach enclosure cover and torque bolts to 3 Nm/27 in lbs.



SERVICING:

- To avoid personal injury, disconnect power to fixture and allow fixture to cool before performing maintenance.
- Perform electrical, mechanical, and visual inspections on a regular basis. The frequency of these inspections is dependent upon the installation environment and frequency of use; it is recommended that these checks be made annually at a bare minimum.
- The external glass should be cleaned periodically to maintain consistent light output and fixture performance. Clean the glass with a clean, damp, non-abrasive, lint-free cloth. If this is not sufficient, a mild soap may be used, but do not use any cleaning agent that is abrasive, strong alkaline, or acidic, as these may damage the fixture.
- Inspect the cooling fins regularly to ensure that they are free of any dust or other contaminants. If necessary, clean with a non-abrasive cloth.
- Check that all mechanical parts are properly assembled and secured.
- Check that all electrical connections are clean, tight, and secure.

LED EXPRESS LIMITED WARRANTY

Subject to the exclusions below, each NICOR LED product, including the LED electronics and components of a property installed NICOR LED product, will be free from defect in materials and workmanship for a period of five (5) years from the original date of purchase. The product shall be considered defective only if 10% or more of the product's LED components fail. NICOR LED product warranty covers the following performance criteria: LED Light Output will be maintained above 70% of initial output; LED color temperature will not shift more than 200K in CCT; LED driver will operate within NICOR specifications; and the fixture finish, excluding natural aluminum or brass products, will not exhibit cracking, peeling, excessive fading, or corrosion during the warranty period. Exceptions apply as defined in NICOR's product specification sheets, which are incorporated by reference herein.

This limited warranty is provided to you, the purchaser of the product identified on Seller's invoice, as your exclusive remedy and applies only to NICOR products that have been purchased from an authorized NICOR Distributor; the product was new and in an unopened NICOR package at the time of installation; and the NICOR product was installed by a licensed electrician or under the supervision of a licensed electrician and used by consumers in the United States or Canada when accompanied with this warranty. This warranty extends only to the first consumer purchaser and is not transferable. A consumer wishing to invoke the terms of this limited warranty must first obtain a RGA number within 30 days of discovery of the defect, and return the product to NICOR for inspection. Once verified to be covered by this limited warranty, NICOR will, at its sole discretion, repair, replace, or refund the purchase price of any product that does not conform to this limited warranty. If NICOR, at its sole discretion, determines that the product should be repaired or replaced, this warranty is limited to the reasonable, customary, and necessary costs and expenses associated with the repair/replacement. This warranty requires that all repair/replacement estimates and costs, including but not limited to equipment rental (if any), and any other cost or expense to be incurred in the repair/replacement of the product, be approved in advance and in writing by NICOR. FAILURE TO OBTAIN NICOR'S ADVANCE WRITTEN APPROVAL OF ALL REPAIR/REPLACEMENT COSTS AND EXPENSES IN WRITING SHALL VOID THIS LIMITED WARRANTY.

THIS LIMITED WARRANTY DOES NOT COVER THE FOLLOWING:

- Defects or damages resulting from improper installation, operation, storage, misuse or abuse, accident, or neglect;
- Defects or damages resulting from improper service, testing, adjustment, installation, maintenance, alteration, connection to out-of specification electrical service, corrosive or damp environments, or connection to incompatible equipment or devices (e.g., connecting non-dimmable lighting products to dimmers);
- Damage which occurs in transit; and
- Power surges or overheating due to external conditions;
- Acts of nature including but not limited to lightning strikes

ANY IMPLIED WARRANTIES, INCLUDING WITHOUT LIMITATION, THE IMPLIED WARRANTIES OF MERCHANTABILITY AND FITNESS FOR A PARTICULAR PURPOSE SHALL BE LIMITED TO THE DURATION OF THIS LIMITED WARRANTY, OTHERWISE THE REPAIR, REPLACEMENT, OR REFUND AS PROVIDED UNDER THIS EXPRESS LIMITED WARRANTY IS THE EXCLUSIVE REMEDY OF THE CONSUMER, AND IS PROVIDED IN LIEU OF ALL OTHER WARRANTIES, EXPRESS OR IMPLIED. IN NO EVENT SHALL NICOR BE LIABLE, WHETHER IN CONTRACT OR IN TORT (INCLUDING NEGLIGENCE) FOR DAMAGES IN EXCESS OF THE PURCHASE PRICE OF THE PRODUCT, OR FOR ANY INDIRECT, INCIDENTAL, SPECIAL OR CONSEQUENTIAL DAMAGES OF ANY KIND, OR LOSS OF REVENUE OR PROFITS, LOSS OF BUSINESS OR OTHER FINANCIAL LOSS ARISING OUT OF OR IN CONNECTION WITH THE ABILITY OR INABILITY TO USE THE PRODUCT TO THE FULL EXTENT THESE DAMAGES MAY BE DISCLAIMED BY LAW.

Copyright 2014, NICOR, Inc.
Revised October 2017

This device complies with part 15 of the FCC Rules. Operation is subject to the following two conditions: (1) This device may not cause harmful interference, and (2) this device must accept any interference received, including interference that may cause undesired operation.

NOTE: This equipment has been tested and found to comply with the limits for a Class A digital device, pursuant to part 15 of the FCC Rules. These limits are designed to provide reasonable protection against harmful interference when the equipment is operated in a commercial environment. This equipment generates, uses, and can radiate radio frequency energy and, if not installed and used in accordance with the instruction manual, may cause harmful interference to radio communications. Operation of this equipment in a residential area is likely to cause harmful interference in which case the user will be required to correct the interference at his own expense.