

Titan - XPQ1A

Hazardous Location (C1D1) LED Flood Light/High Bay

Project _____

Catalog _____

Type _____

Date _____

Product Description

The Titan LED Luminaire is designed for installations where moisture, dirt, dust, corrosion and vibration may be present, or NEMA 3 and 4X areas where wind, water, snow or high ambient temperature can be expected. For use in locations made hazardous by the presence of flammable vapors, gases, or combustible dusts as defined by the NEC and IEC. Titan fixtures are available in 80W, 100W, and 150W packages. The Titan is ideal for retrofit of existing HPS/MH and offers higher efficacy for increased energy savings, lower maintenance costs and shorter pay backs.

Certifications

- UL Class I Division 1, Group C, D
- UL Class I Division 2, Group A, B, C, D
- UL Class II Division 2, Group F, G
- UL844 Hazardous Location
- UL 1598 Wet Location
- UL1598A Marine
- UL 8750 LED Safety
- IP66 Rated
- DLC Premium Certified* (5000K only)
- CSA 22.2 No. 137-M1981
- IECEx Ex d IIB T6 Gb/ Ex tb IIIC T85°C Db
- Meets FCC Part 15, Subpart B, Class B standards for conducted and radiated emissions

Construction

- Die-cast, copper-free aluminum housing
- Stainless steel hardware
- 3/4" NPT threaded conduit/wire access ports
- Weight - 80 & 100W: 33.1lbs (15kg); 150W: 36.4 lbs (16.5kg)
- RoHS Compliant

Optical System

- Tempered glass creates uniform light distribution and maximizes lumen output
- Diffused lens optional**
- Beam Angles: 25°, 60°, and 120° (NEMA Type 2, 4, and 6)
- CCT: 5000K, 3000K**, or 4000K**
- CRI: 70+

Electrical

- Input voltage of 100-240/277VAC or 347-480V**
- Input frequency of 50/60Hz
- Power Factor of ≥ 0.90
- THD <20%
- 10kA surge protector
- Reported L70 hours >50,000

Environmental

- Ambient Operating Temperature -40°F (-40°C) ~ 140°F (60°C)
 - C1D1 T6 at 140°F (60°C)
 - C1D2 T4A at 140°F (60°C)
 - C2D2 T4A at 140°F (60°C)
- Ambient Operating Humidity of 10%~90% RH

Finish

- RAL 7037 (Dusty Gray) polyester powder coat

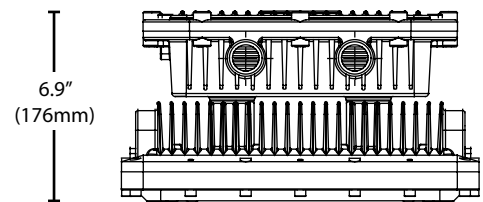
Installation

- Prewired with 2' flying leads
- Allows wiring without opening power supply cover
- Adjustable trunnion bracket for ceiling, wall, etc.
- Integrated 3/4" NPT threaded hub for pendant mount
- For installations where power surge may be possible, NICOR recommends installing additional surge protection at the electrical distribution panel

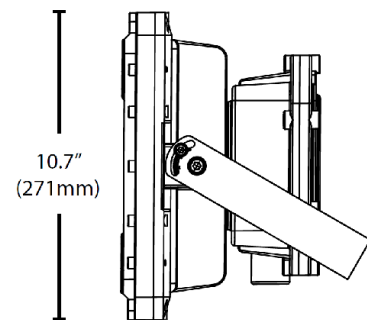
Warranty

- 5-year limited system warranty standard
- Warranty does not cover product failure due to an overvoltage event (power surge)

**Consult factory for lead time



12.9" (328mm)



6.9" (176mm)

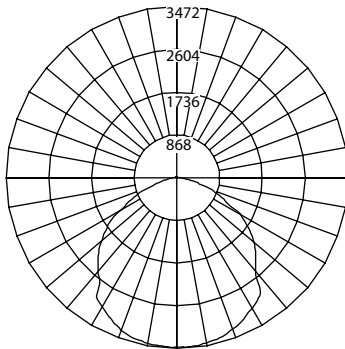


*DLC Certification for 5000k only

Photometric Data

XPQ1A 80W 5000K

Input Voltage (VAC)	120-277
System Level Power (W)	73.6
120V Current (A)	0.613
277V Current (A)	0.266
Delivered Lumens (Lm)	9240
System Efficacy (Lm/W)	125.5
Correlated Color Temp (K)	5023
Color Rendering Index (CRI)	70
Power Factor	>0.95
THD	<20%
Beam Angle	108.2°
Spacing Criteria	1.33



Intensity Summary (Candle Power)

Angle	Mean CP
0	3463
5	3457
15	3372
25	3179
35	2906
45	2331
55	1680
65	989
75	342
85	28
90	3

CCT Data Multiplier

XPQ1A080U30GR	0.906
XPQ1A080U40GR	0.952

Cone of Light Tabulation

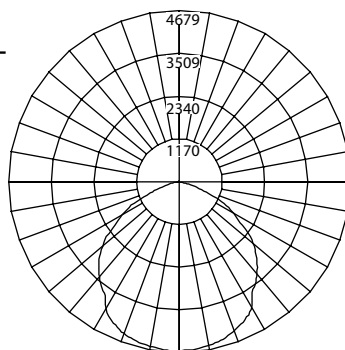
Mounted height (Feet)	Footcandles Beam Center	Diameter (Feet)
8	54.1	22.1
10	34.6	27.6
12	24.1	33.2
14	17.7	38.7
16	13.5	44.2
18	10.7	49.7
20	8.7	55.3

Zonal Lumen Summary

Zone	Lumens	% of Luminaire
0-30	2747	29.7%
0-40	4552	49.3%
0-60	7828	84.7%
0-90	9219	99.8%
90-180	21	0.2%
0-180	9240	100.0%

XPQ1A 100W 5000K

Input Voltage (VAC)	120-277
System Level Power (W)	97.6
120V Current (A)	0.813
277V Current (A)	0.352
Delivered Lumens (Lm)	12170
System Efficacy (Lm/W)	124.7
Correlated Color Temp (K)	5037
Color Rendering Index (CRI)	70
Power Factor	>0.95
THD	<20%
Beam Angle	108.2°
Spacing Criteria	1.33



Intensity Summary (Candle Power)

Angle	Mean CP
0	4672
5	4660
15	4544
25	4292
35	3788
45	3031
55	2185
65	1275
75	438
85	35
90	2

CCT Data Multiplier

XPQ1A100U30GR	0.906
XPQ1A100U40GR	0.952

Cone of Light Tabulation

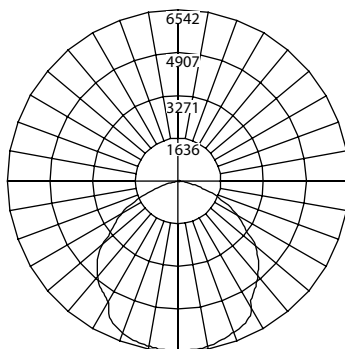
Mounted height (Feet)	Footcandles Beam Center	Diameter (Feet)
8	73.0	22.1
10	46.7	27.6
12	32.4	33.2
14	23.8	38.7
16	18.3	44.2
18	14.4	49.7
20	11.7	55.3

Zonal Lumen Summary

Zone	Lumens	% of Luminaire
0-30	3702	30.4%
0-40	6069	49.9%
0-60	10349	85.0%
0-90	12150	99.8%
90-180	20	0.2%
0-180	12170	100.0%

XPQ 1A 150W 5000K

Input Voltage (VAC)	120-277
System Level Power (W)	139.6
120V Current (A)	1.163
277V Current (A)	0.504
Delivered Lumens (Lm)	17261
System Efficacy (Lm/W)	123.6
Correlated Color Temp (K)	5041
Color Rendering Index (CRI)	70
Power Factor	>0.95
THD	<20%
Beam Angle	108.2°
Spacing Criteria	1.33



Intensity Summary (Candle Power)

Angle	Mean CP
0	6507
5	6498
15	6347
25	5994
35	5311
45	4328
55	3116
65	1844
75	629
85	46
90	5

CCT Data Multiplier

XPQ1A150U30GR	0.906
XPQ1A150U40GR	0.952

Cone of Light Tabulation

Mounted height (Feet)	Footcandles Beam Center	Diameter (Feet)
8	101.7	22.1
10	65.1	27.6
12	45.2	33.2
14	33.2	38.7
16	25.4	44.2
18	20.1	49.7
20	16.3	55.3

Zonal Lumen Summary


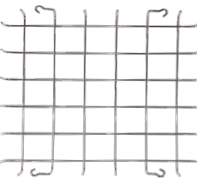
Zone	Lumens	% of Luminaire
0-30	5173	30.0%
0-40	8504	49.3%
0-60	14662	84.9%
0-90	17223	99.8%
90-180	38	0.2%
0-180	17261	100.0%

Fixture tested per LM-79-08. Photometric data is of the performance of a representative fixture. Results may vary in the field.

Performance Data			
Model Number	Lumens	Watts	Lumens/Watt
XPQ1A080U30GR	8874	73.6	120.6
XPQ1A080U40GR	9055	73.6	123.0
XPQ1A080U50GR	9240	73.6	125.5
XPQ1A100U30GR	11688	97.6	119.8
XPQ1A100U40GR	11927	97.6	122.2
XPQ1A100U50GR	12170	97.6	124.7
XPQ1A150U30GR	16577	139.6	118.7
XPQ1A150U40GR	16916	139.6	121.2
XPQ1A150U50GR	17261	139.6	123.6

Ordering Information								Example: XPQ1A080U50GRP25D	
Series	Version	Class/DIV	Wattage	Voltage	CCTs	Finish	Mounting	Beam Angle	Lens
XPQ	1 (Version 1)	A (C1D1)	080 (80W)	U (100-240/277VAC)	50 (5000K)	GR (Gray)	__ (Trunnion)	__ (120°)	__ (Clear)
			100 (100W)	H (347-480VAC)*	30 (3000K)*		P (Trunnion & Pendant)	25 (25°)*	D (Diffused)*
			150 (150W)		40 (4000K)*			60 (60°)*	

*Consult factory for lead time.
 Specifications and dimensions subject to change without notice.

Accessories		Accessories sold separately
3' Heavy Duty DS Safety	XP1DSCABLE-3	
Wire Guard	XPQ1WG	

This device complies with part 15 of the FCC Rules. Operation is subject to the following two conditions: (1) This device may not cause harmful interference, and (2) this device must accept any interference received, including interference that may cause undesired operation.

NOTE: This equipment has been tested and found to comply with the limits for a Class A digital device, pursuant to part 15 of the FCC Rules. These limits are designed to provide reasonable protection against harmful interference when the equipment is operated in a commercial environment. This equipment generates, uses, and can radiate radio frequency energy and, if not installed and used in accordance with the instruction manual, may cause harmful interference to radio communications. Operation of this equipment in a residential area is likely to cause harmful interference in which case the user will be required to correct the interference at his own expense.

