

Spectrum F112-NBN80052BA-BD

Explosion-Proof Fixed Camera

Key Features

- Remarkable low-light performance
- 5MP (3K) high detail at fast speeds (30fps)
- Built-in intelligent Video Analytics
- Low network strain and storage costs
- Outstanding wide dynamic range
- Front Glass Protective Film (F1XX-TO) included
- Reliable Securing Kit included
- Made in USA
- NDAA-Compliant
- cFMus, Class I/II/III, Division 1, Zone 1/21, IECEx, ATEX, INMETRO and UKCA approved
- Operating Temperature:
 - Zone System: -50°C to +50°C
 - (USA) Class/Division System: -40°C to +50°C

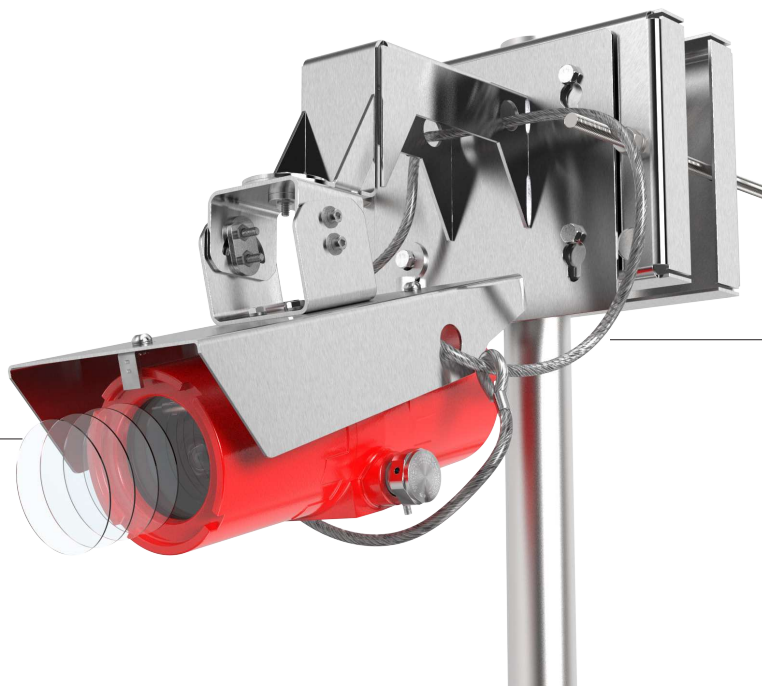


BOSCH Camera Inside



Description

Spectrum F112-NBN80052BA-BD explosion-proof network camera delivers clear images 24/7 - even at night or under low-light conditions. Enclosed in a red aluminum explosion-proof housing, it's certified (cFMus, ATEX, IECEx, UKCA approved and INMETRO) for use in potentially combustible environments. Furthermore, the camera produces multi-megapixel full-color video in near darkness, and delivers detailed monochrome images where other cameras show no image at all.



F1XX-TO

Front Glass Protective Film
4-Layer peel off design


SF-RSK
Reliable Securing Kit

Specifications

Spectrum F112-NBN80052BA-BD


Sensor (1080p version)		Lens Connector	4 Pin DC Control
Sensor Type	1/1.8" CMOS	Dimensions	62.9mm x 66.6
Effective Pixels	6.1 MP	Zoom Control	Manual
Sensor	Bosch NBN-80052-BA	Focus Control	Manual
Video Performance - Dynamic Range		Technical Specs of Camera with regard to lens	
5.5MP (4:3) mode	97 dB WDR (97+16 dB with IAE)	Sensor Size	1/1.8"
5MP (16:9) mode	97 dB WDR (97+16 dB with IAE)	Resolution	5 MP
1080p mode	103 dB WDR (103+16 dB with IAE)	Lens Mount	CS (can use C with adapter ring)
Video performance - Sensitivity		Lens Connector	Standard 4 pin DC iris connector
Color 5MP mode	0.0121 lx	Lens Types	DC iris and P-iris* control
Color 1080p mode	0.00825 lx	General	
Mono 5MP mode	0.004 lx	Casing	Aluminum
Mono 1080p mode	0.00275	Weight	6.4 kg (14 lb)
Video Streaming		Dimensions	13.85 x 7.20 x 6.01 in (352 x 183 x 153 mm)
Video compression	H.264 (MP); M-JPEG	Power	57 VDC, 9W; 12-24 VAC/VDC 25W
Streaming	Multiple configurable streams in H.264 and M-JPEG, configurable frame rate and bandwidth. Regions of interest (ROI)	Storage Conditions	-30°C to +70°C Humidity 5-98% RH (non-condensing)
Overall IP Delay	Min. 120 ms, Max. 340 ms	Operating Conditions	Zone system: -50°C to +50°C (USA) Class/Division system: -40°C to +50°C Humidity 10-100% RH (condensing)
GOP Structure	IP, IBP, IBBP	Warranty	5-year limited warranty, see spectrumcamera.com/warranty
Encoding interval	1 to 30 [25 fps]	Approvals	Hazardous Area FM3600, FM3615, ANSI/ISA/EN/IEC/CAN/ CSA-C22.2 60079-0, ANSI/UL/EN/IEC/CAN/ CSA-C22.2 60079-1, ANSI/UL/IEC/CAN/ CSA-C22.2 60079-31 EMC EN 55032 Class A, EN 50121-4, IEC 62236-4, EN 55024, EN 61000-6-1, EN 61000-6-2, FCC Part 15 Subpart B Class A, ICES-003 Class A, VCCI Class A, RCM AS/NZS CISPR 32 Class A, KC KN32 Class A, KC KN35 Safety IEC/EN/UL 60950-22, IEC/EN/UL 62368-1, IS 13252 Environment IEC 60068-2-1, IEC 60068-2-2, IEC 60068- 2-6, IEC 60068-2-14, IEC 60068-2-27, IEC 60068-2-78, IEC/EN 60529 IP66/IP67, IEC/EN 62262 IK10, NEMA 250 Type 4X, NEMA TS 2 (2.2.7-2.2.9) Network NIST SP500-267
Encoder regions	Up to 8 areas with encoder quality settings per area	Explosion-proof Certifications	USA: Class I Division 1 Groups BCD T6 Ta= -40°C to +50°C, Type 4X, IP66 Class II/III Division 1 Groups EFG Ta= -40°C to +50°C, Type 4X, IP66 Certificate: FM18US0262X Canada: Class I Division 1 Groups BCD T6 Ta= -50°C to +50°C, Type 4X, IP66 Class II/III Division 1 Groups EFG Ta= -50°C to +50°C, Type 4X, IP66 Class I, Zone 1, AEx/Ex db IIB+H2 T5 Gb Ta = -50°C to +50°C, Type 4X, IP66 Zone 21, AEx/Ex tb IIIC T85°C Db Ta = -50°C to +50°C, Type 4X, IP66 Certificate: FM18CA0126X ATEX: II 2 G Ex db IIB+H2 T5 Gb Ta = -50°C to +50°C, IP66 II 2 D Ex tb IIIC T85°C Db Ta = -50°C to +50°C, IP66 Certificate: FM18ATEX0073X IECEx: Ex db IIB+H2 T5 Gb Ta = -50°C to +50°C, IP66 Ex tb IIIC T85°C Db Ta = -50°C to +50°C, IP66 Certificate: IECEx FMG 18.0029X
Video Resolution			
5MP (16:9)	2992 x 1680		
Video Content Analysis			
Analysis type	Intelligent Video Analytics		
Configurations	Silent VCA / Profile 1 / Profile 2 / Event Triggered / Scheduled		
Alarm rules (combinable)	Any object Object in field Crossing line Entering field Leaving field Loitering Following route Idle object Removed object Counter Occupancy Crowd detection Condition change Similarity search Tampering		
Object filters	Duration Size Aspect ratio v/h Speed Direction Color Object classes (Upright persons, Bikes, Cars, Trucks)		
Optical			
Lens Mount	CS mount (C-mount with adapter ring)		
Lens connector	Standard 4-pin DC-iris connector / P-iris connector		
Focus control	Motorize back-focus adjustment		
Lens Option: LV-5005C-C4109			
Sensir Size	1/1.8 inch		
Resolution	5 MP		
Iris Range	F1.6 - F8		
Focal Length	4.1 - 9mm		
Lens Mount	CS		

Approvals & Dimensions



SPECIALIZING IN EXPLOSION PROOF TECHNOLOGY
8935 ALMEDA GENOA RD. HOUSTON, TEXAS 77075 USA

SERIAL: _____




MADE IN USA

CERT NO. FM18US0262X & FM18CA0126X

MODEL: F1XX-(CCCC)-BD

INPUT: 57VDC, X.X W;

HEATER: 12-24VDC/VAC, XX W

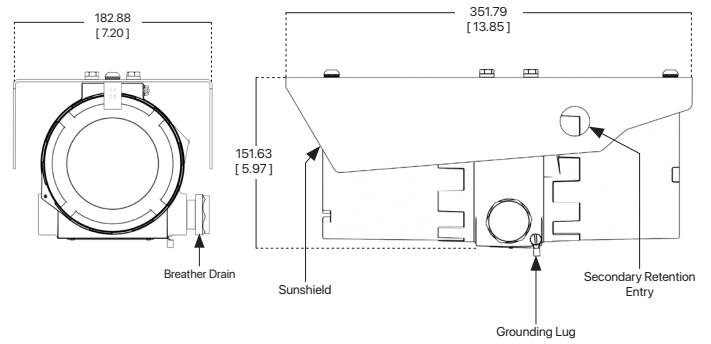



US: Class I Division 1 Groups BCD T6 Ta= -40°C to +60°C, Type 4X, IP66
 Class II/III Division 1 Groups EFG T6 Ta= -40°C to +60°C, Type 4X, IP66
 Canada: Class I Division 1 Groups BCD T6 Ta= -50°C to +60°C, Type 4X, IP66
 Class II/III Division 1 Groups EFG T6 Ta= -50°C to +60°C, Type 4X, IP66
 Zone 1, Zone 1, AEx/Ex db IIB+H2 SEE TABLE FOR CODE Gb Ta = -50°C to +60°C, Type 4X, IP66
 Zone 21, AEx/Ex tb IIIC T85°C Db Ta = -50°C to +60°C, Type 4X, IP66
 II 2 G Ex db IIB+H2 SEE TABLE FOR CODE Gb Ta = -50°C to +60°C, IP66
 II 2 D Ex tb IIIC T85°C Db Ta = -50°C to +60°C, IP66

CERT NO. FM18ATEX0073X, IECEx FMG 18.0029X, & FM22UXEX0016X

CODE	CONFIGURATION
TS	WITH BREATHEDRAIN
TG	WITHOUT BREATHEDRAIN

WARNING: DO NOT OPEN WHEN ENERGIZED OR WHEN AN EXPLOSIVE ATMOSPHERE MAY BE PRESENT. Install seal within 18 inches. For Zones, install seal at entry. WARNING - POTENTIAL ELECTROSTATIC CHARGING HAZARD - SEE INSTRUCTION. USE 80°C OR HIGHER RATED CONDUCTORS.
 AVERTISSEMENT: NE PAS OUVRIRE LORSQU'ENNERGISE OU QUAND UNE ATMOSPHERE EXPLOSIVE PEUT ETRE PRESENTE. Les joints de Remplacement sont obligatoires dans une distance de 18 pouces. Pour les zones, installez un scellum à l'entrée. AVERTISSEMENT - RISQUE DE CHARGE ELECTROSTATIQUE POTENTIEL - VOIR LES INSTRUCTIONS. UTILISEZ DES CONDUCTEURS COTES DE 80 °C OU PLUS.





SPECIALIZING IN EXPLOSION PROOF TECHNOLOGY
8935 ALMEDA GENOA RD. HOUSTON, TEXAS 77075 USA

No. DE SÉRIE: _____


FABRICADO NO EUA

CERT NO. NCC 20.0084 X


MODELO: F112-NBN80052BA-BD

ALIMENTAÇÃO: 57 VDC, 9W;

12-24 VAC/VDC, 25W



Segurança



NCC 20.0084 X

Ex db IIB+H2 T5 Gb Ta = -50°C to +50°C, IP66

Ex tb IIIC T85°C Db Ta = -50°C to +50°C, IP66

ATENÇÃO: NÃO ABRA ENQUANTO ENERGIZADO OU QUANDO ATMOSFERA EXPLOSIVA PUDE ESTAR PRESENTES. INSTALAR O ANEL DE VEDAÇÃO DA ENTRADA. ATENÇÃO - RISCO POTENCIAL DE CARGAS ELETROSTÁTICAS - VER INSTRUÇÕES. USAR CONDUCTORES ADEQUADOS PARA TEMPERATURAS ATÉ 80°C. ATENÇÃO - NÃO ABRIR QUANDO ENERGIZADO. ATENÇÃO - RISCO POTENCIAL DE CARGA ELETROSTÁTICA - VER INSTRUÇÕES