

**CURTISS -
WRIGHT**

COPPUS[®]
Portable Ventilators

COPPUS[®] Swing-Out Assembly

For Tank Ventilators

Used with COPPUS Models RF-20, CP-20, and RF-24

Sectional Drawings and Parts List

Manual #5-910045-00

Curtiss-Wright Fleet Solutions

482A Stewart Street

Atlantic Beach, FL 32233

coppus@curtisswright.com

www.coppus.com

COPPUS® Swing-Out Assembly

General Description:

The COPPUS Swing-Out Assembly is designed to permit entrance or exit from tank openings. The swing-out feature greatly enhances personnel safety in the event of an emergency when evacuation of a tank becomes necessary. A clearly marked kick plate is provided on the swing plate which will release with approximately 25 pounds of force. The swing plate remains securely closed during operation through use of an industrial grade hook and loop fastener system and requires no manual latching.

For some applications, the assembly can be fitted with a close-off plate allowing access through unused flange openings.

Features:

- Rugged, high-grade aluminum castings
- Spark-free construction
- Heavy-duty lifting eyebolt
- Removable stainless steel hinge pin
- Industrial-grade hook and loop quick-release latch system
- Mounting slots accommodate multiple flange sizes*

*Refer to dimension sheet

Cautionary Note:

The flexible supply line attached to the ventilator must permit unrestricted motion of the swing-out assembly. Check operation to confirm that no obstacles inhibit the swing path before using.

COPPUS® Swing-Out Assembly

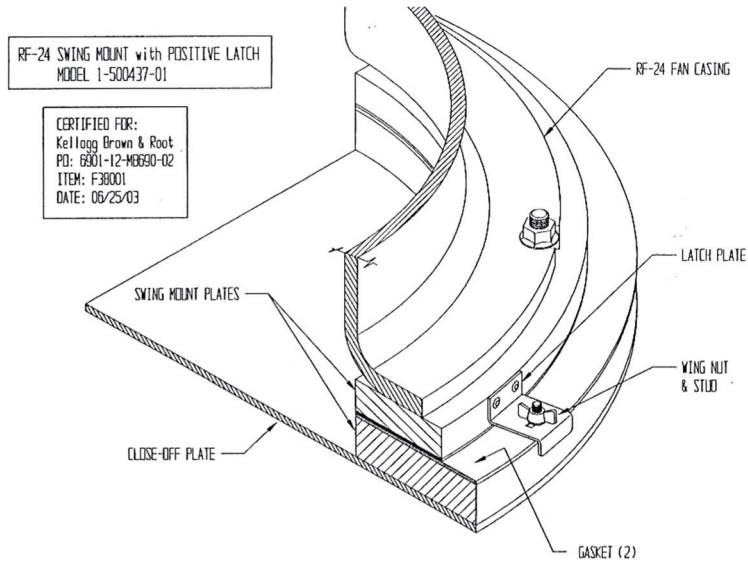
COPPUS RF/CP-20 Swing-Out Assembly; 150 lb. Flange				
Ref. #	COPPUS Part #	Description	Qty.	Weight
1	8-110052-00	Mounting Flange; 150 lb.	1	46 lb.
2	8-110053-00	Swing Mount	1	32 lb.
3	5-315329-00	Hinge Pin	1	3 lb.
4	4-419305-00	Split Ring	1	-
5	4-419304-00	Lifting Eyebolt	1	-
6	4-H16200-39	Hex Nut 5/8 – 11	1	-
7	4-419303-02	Fastener	1	-
8	4-419303-02	Fastener	1	-
9	4-419306-00	Label	1	-
10	4-H16000-76	Hex Bolt 1" – 8 x 2.50	4	-
11	4-H16200-07	Hex Nut 1" – 8	4	-
12	4-H16241-07	Plain Washer 1"	4	-
13	4-H16261-28	Lock Washer 1"	4	-
14	4-419211-01	Cotter Pin	1	-

NOTE: Weights are not provided for items less than 8 oz.

COPPUS RF-24 Swing-Out Assembly; 150 lb. Flange				
Ref. #	COPPUS Part #	Description	Qty.	Weight
1	8-110068-00	Mounting Flange; 150 lb.	1	61 lb.
2	8-110069-00	Swing Mount	1	45 lb.
3	5-315329-01	Hinge Pin	1	3 lb.
4	4-419305-00	Split Ring	1	-
5	4-419304-00	Lifting Eyebolt	1	-
6	4-H16200-39	Hex Nut 5/8 – 11	1	-
7	4-419303-02	Fastener	1	-
8	4-419303-02	Fastener	1	-
9	4-419306-00	Label	1	-
10	4-H16000-76	Hex Bolt 1" – 8 x 2.50	4	-
11	4-H16200-07	Hex Nut 1" – 8	4	-
12	4-H16241-07	Plain Washer 1"	4	-
13	4-H16261-28	Lock Washer 1"	4	-
14	4-419211-01	Cotter Pin	1	-

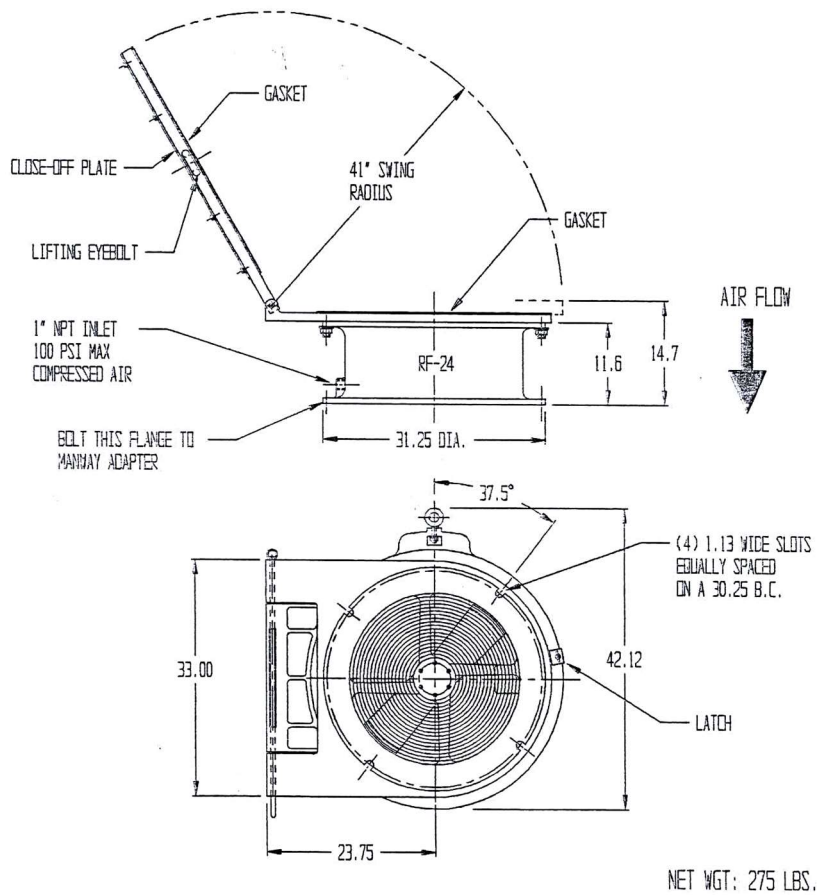
NOTE: Weights are not provided for items less than 8 oz.

COPPUS® Swing-Out Assembly



V-302

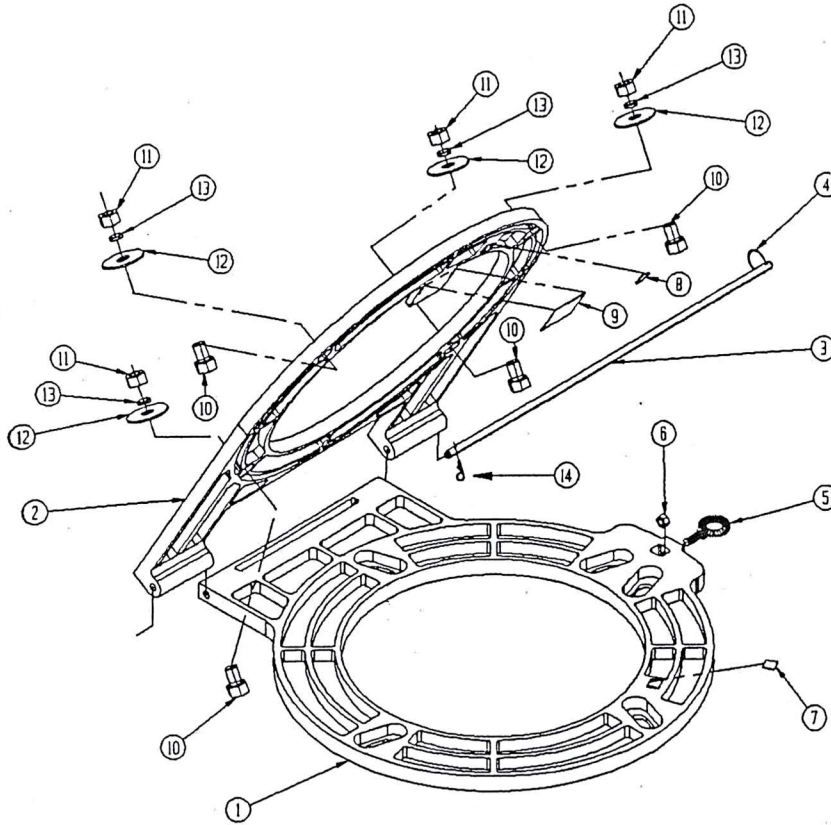
COPPUS Model RF-24 with Swing Mount Models 1-500231-00 & 1-500437-00



V-301

COPPUS® Swing-Out Assembly

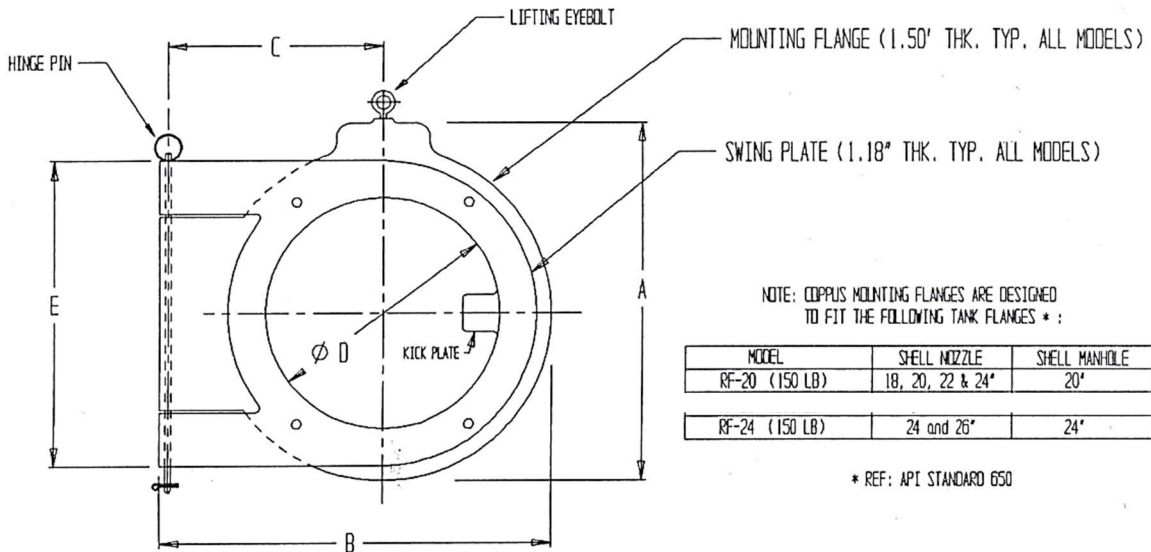
Swing-Out Assembly



REFERENCE: See Parts Lists
 I-500435-00 RF-20 ; 150 Lb. Flange
 I-500437-00 RF-24 ; 150 Lb. Flange

V-300

COPPUS Tank Ventilator Swing-Out Assembly



NOTE: COPPUS MOUNTING FLANGES ARE DESIGNED TO FIT THE FOLLOWING TANK FLANGES * :

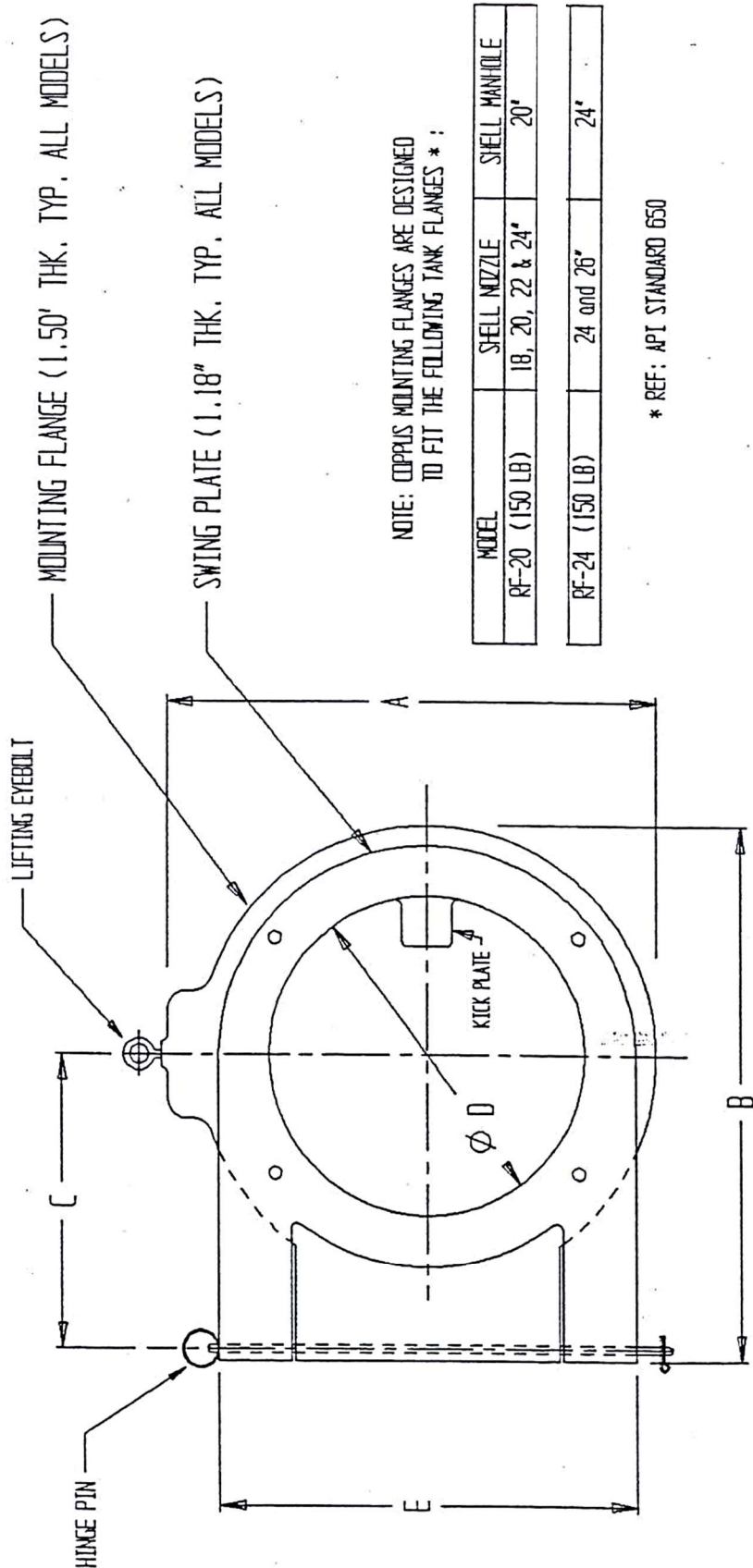
MODEL	SHELL NOZZLE	SHELL MANHOLE
RF-20 (150 LB)	18, 20, 22 & 24"	20"
RF-24 (150 LB)	24 and 26"	24"

* REF: API STANDARD 650

NOTE: RF-20 APPLICATIONS ALSO SUITABLE FOR CP-20 VENTILATORS

I-500437-00	RF-24; 150 LB	39.25	41.88	22.85	25.00	33.00	110 LB
I-500435-00	RF-20; 150 LB	35.33	37.00	19.25	19.50	26.00	85 LB
MODEL NUMBER	MODEL TYPE	A	B	C	Ø D	E	WEIGHT

COPPUS® Swing-Out Assembly



NOTE: COPPUS MOUNTING FLANGES ARE DESIGNED TO FIT THE FOLLOWING TANK FLANGES * :

MODEL	SHELL NOZZLE	SHELL MANHOLE
RF-20 (150 LB)	18, 20, 22 & 24"	20"
RF-24 (150 LB)	24 and 26"	24"

* REF: API STANDARD 650

NOTE: RF-20 APPLICATIONS ALSO SUITABLE FOR CP-20 VENTILATORS

I-500437-00	RF-24; 150 LB	39.25	41.88	22.85	25.00	33.00	110 LB
-------------	---------------	-------	-------	-------	-------	-------	--------

I-500435-00	RF-20; 150 LB	35.33	37.00	19.25	19.50	26.00	85 LB
MODEL NUMBER	MODEL TYPE	A	B	C	Ø D	E	WEIGHT