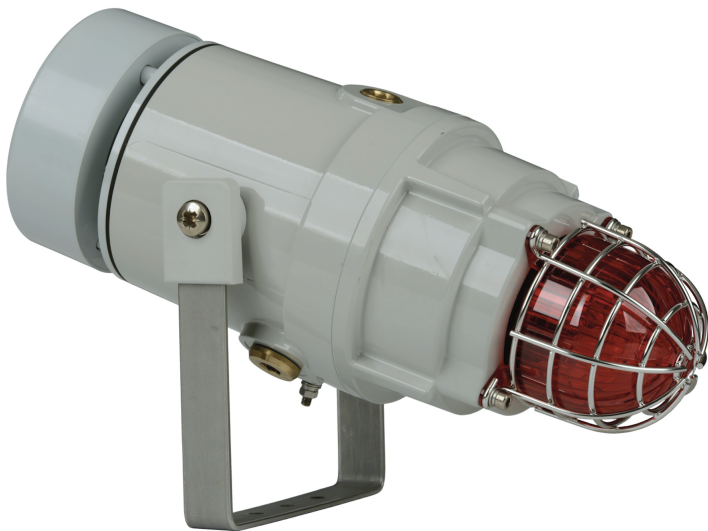




TOMAR ELECTRONICS

D1xC2X10R

Radial Alarm Horn & Xenon Strobe



- Automatic synchronization on multi-beacon & sounder systems.
- User selectable strobe flash rates
- Ratchet adjustable stainless steel 'U' bracket.
- High output omni-directional alarm horn, up to 115dB (A)
- Xenon strobe - private mode fire alarm use (Class I version)
- Alarm horn - public mode fire alarm use (Class I version)
- 4 remotely selectable alarm stages/channels
- Positive or negative line stage/channel switching
- Choice of 64 alarm tone frequencies
- Compact form factor
- Robust corrosion proof aluminum enclosure
- Stainless steel fixings
- Triple cable entries
- Duplicate cable terminations

The Tomar D1xC2X10R is a high output alarm horn sounder with omni-directional radial horn combined with a 1,000,000cd Xenon strobe beacon. The robust Type 4/4X, IP66 marine grade, corrosion proof aluminum enclosure ensures the D1xC2X10R is suitable for all Class I & II Division 1, Zone 1 & 20 explosion proof signaling applications. The Class I DC version is approved for public mode fire alarm use (alarm horn) and private mode fire alarm use (strobe beacon).

The explosion proof horn strobe allows simultaneous or independent operation. Featuring 64 first stage/channel alarm sounds, the alarm tone frequencies for the first 2 stages are independently selectable. Each of the 4 stage/channels can be remotely triggered e.g. via an external relay.

Approvals

- UL File ref: E230764
- UL1203 Ed. 5
- CAN/CSA C22.2 No. 25-1966
- CSA C22.2 No. 30-M1986
- CSA C22.2 No. 205-12
- UL464 Ed. 9

Coding

- **A1: Gas version**

NEC / CEC:

Class I Div 1 ABCD T5/T6 Ta -40°C to +70/+55°C

Class I Div 2 ABCD T5/T6 Ta -40°C to +70/+55°C

Class I Zone 1, 2 IIC T5/T6 Ta -40°C to +70/+55°C

- **D1: Dust version**

NEC / CEC:

NEC / CEC:

Class II Div 1 FG T4/T4A Ta -40°C to +55/+40°C

Class II Div 2 FG T4/T4A Ta -40°C to +55/+40°C

Class III Div 1 & 2

Zone 20, 21, 22 IIIB T4/T4A Ta -40°C to +55/+40°C

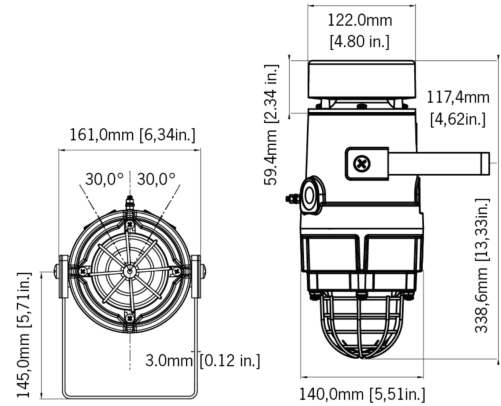
- Protection concept: Ex d / AEx d



Specifications

Alarm Horn

Item	Description
Maximum output	118dB (A) @ 1 meter [109dB (A) @ 10ft/3m]
Nominal output	112dB (A) @ 1m +/- 3dB - Tone 2 [103dB (A) @10ft/3m]
No. of tones	64 (UKOOA / PFEER compliant)
No. of stages	4
Volume control	Adjustable -12dB (A)
Effective range	125m/410ft @ 1 KHz
Supply Voltages	24Vdc; 115Vac; 230Vac
Stage switching	DC units: negative or positive
AC units	common supply line



Strobe Beacon

Item	Description
Energy	10 Joules (5Ws)
Flash rates	Option 1: 1Hz (60 fpm), Option 2: 1.5Hz (90 fpm), Option 3: Double Strike
Peak Candela	1,000,000 cd - calculated from energy (J)
Eff. Intensity	500 cd - calculated from energy (J)
Peak Candela	85,544 cd* - measured ref. to I.E.S.
Eff. Intensity	260 cd* - measured ref. to I.E.S.
Lens colors	Amber, Blue, Clear, Green, Magenta, Red & Yellow
Tube life	Emissions are reduced to 70% after 8 million flashes

*All candela data is representative of performance with clear lens at optimum voltage

General

Item	Description
Ingress protection	EN60529: IP66 UL50E / NEMA250: 4 / 4X / 3R / 13
Enclosure material	Marine grade aluminum LM6- copper free Chromatid & powder coated – corrosion proof
Color	Red (RAL3000), Grey (RAL7038)
Cable entries	1 x 1/2" NPT & 2 x M20 x 1.5mm 1 x 1/2" NPT & 2 x 1/2" NPT 1 x 1/2" NPT & 2 x 3/4" NPT
Terminals	0.5 - 2.5mm ² (20-14 AWG)
Grounding stud	M5
Operating temp	24Vdc & 115Vac: -40° to +70°C [-40° to +158°F] 230Vac: -40° to +55°C [-40° to +131°F]
Storage temp	-50° to +70°C (-58°F to +158°F)
Relative humidity	90% at 20°C [68°F]
Weight	4.9kg/10.9lbs

SPL data +/-3dB (A), Candela with clear lens - at optimum voltage

Ordering Information

Please specify lens color when ordering: Amber, Blue, Clear, Green, Magenta, Red, Yellow

Model	Alarm Sounder Voltage	Current	Xenon Beacon Voltage	Current	Combined
D1xC2X10R-024-(lens color)	20-28 VDC	923mA	10-14 VDC	673mA	1,596mA
D1xC2X10R-115-(lens color)	115 VAC +/-10% 50Hz/60Hz	267mA	+/- 10%	247mA	514mA
D1xC2X10R-230-(lens color)	230 VAC +/-10% 50Hz/60Hz	159mA	+/- 10%	120mA	279mA

2 x M20 cable entries; brass stopping plug. 304 (A2) Stainless steel mounting bracket and lens guard

64 onboard selectable tones:

Please visit our web site for full description and sound files

D1xC2X10R

Radial Alarm Horn & Xenon Strobe