



D1xS2F

Alarm Horn Sounder



- High output, up to 125dB(A)
- Public mode fire alarm user
- 4 remotely selectable alarm stages/ channels
- Positive or negative line stage/channel switching
- Choice of 64 alarm tone frequencies
- Automatic synchronization on multi-sounder system
- Continuously rated
- Compact form factor
- Robust corrosion proof aluminum enclosure
- Stainless steel fixings
- Triple cable entries
- Duplicate cable terminations (in & out for daisy-chain installations)
- Available with custom tone configurations and frequencies

Tomar Electronics 125dB (A) alarm horn. The D1xS2F is a high output alarm sounder with reentrant flare horn. Low current consumption and high SPL in a robust Type 4/4X, IP66 marine grade, corrosion proof aluminum enclosure ensure the D1xS2F is suitable for all Class I & II Division 1, Zone 1 & 20 explosion proof signaling applications. The 24V DC version is approved for public mode fire alarm use and the 110-240V DC version for general signaling use.

Featuring 64 alarm tone sounds, each of the available 4 stage/channels can be remotely triggered. Approved for gas groups ABCD in Class I Division 1, Class I Zone 1 IIC and for dust groups FG in Class II Division 1, Zone 20 IIIB environments. The threaded flameproof joint simplifies both installation and routine maintenance.

Approvals

- UL File ref: E230764
- UL1203 Ed. 5
- CAN/CSA C22.2 No. 25-1966
- CSA C22.2 No. 30-M1986
- CSA C22.2 No. 205-12
- UL464 Ed. 9

Coding

• A1: Gas version

NEC / CEC:

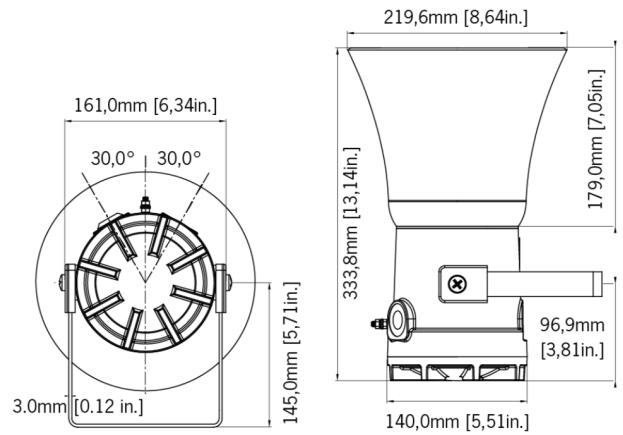
- Class I Div 1 ABCD T6 Ta -40°C to +70°C
- Class I Div 2 ABCD T6 Ta -40°C to +70°C
- Class I Zone 1, 2 IIC T6 Ta -40°C to +70°C
- 24V dc version is approved for public mode fire alarm use

• D1: Dust version

NEC / CEC:

- Class II Div 1 FG T6 Ta -40°C to +70°C
- Class II Div 2 FG T6 Ta -40°C to +70°C
- Class III Div 1 & 2
- Zone 20, 21, 22 IIIB Ta -40°C to +70°C
- Protection concept: Ex d / AEx d





Specifications

Item	Description
Maximum output	125dB (A) @ 1 meter [116dB (A) @ 10ft/3m]
Nominal output	121dB (A) @ 1m +/- 3dB - Tone 4 [112dB (A) @ 10ft/3m]
No. of tones	64 (UKOOA / PFEER compliant)
No. of stages	4
Volume control	Adjustable -12dB (A)
Effective range	656m/410ft @ 1 KHz
Voltages DC	24V dc (10-30V dc)
Voltages AC	110-240V ac 50/60Hz
Stage switching	DC units: negative or positive. AC units: common supply line
Ingress protection	EN60529: IP66 UL50E / NEMA250: 4 / 4X / 3R / 13
Enclosure material	Marine grade aluminum LM6- copper free Chromate & powder coated – corrosion proof
Color	Red (RAL3000), Grey (RAL7038)
Cable entries	1 x 1/2"NPT & 2 x M20 x 1.5mm 1 x 1/2"NPT & 2 x 1/2"NPT 1 x 1/2"NPT & 2 x 3/4"NPT
Terminals	0.5 - 2.5mm ² (20-14 AWG)
Grounding stud	M5
Operating temp	-40° to +70°C [-40° to +158°F]
Storage temp	-50° to +70°C [-58° to +158°F]
Relative humidity	90% at 20°C [68°F]
Weight	4.3kg/9.5lbs

Ordering Information

Model	Operating Voltage	Current
D1xS2F-024	10-30 VDC	923mA
D1xS2F-120-240	+/-10% 50/60Hz	267mA @115 VAC; 159mA @ 230 VAC

1 x 1/2" NPT, 2 x 3/4" NPT; brass stopping plug. 304 (A2) Stainless steel mounting bracket

64 onboard selectable tones:

Please visit our web site for full description and sound files

D1xS2F

Alarm Horn Sounder