



GNEXS1

Alarm Horn Sounder 117dB (A)



- Automatic synchronization on multi-sounder system.
- Very large termination area.
- Ratchet adjustable stainless steel 'U' bracket.
- IN & OUT terminals.
- Independently selectable tones for 1st & 2nd stages.
- Four remotely switched stages/channels.

Tomar Electronics flameproof GNExS1 alarm sounder is suitable for Zone 1 & Zone 2 applications - certified to ATEX and IECEx.

Sound level outputs are up to 117dB (A) at 1 meter with a choice of 64 alarm tones and 4 remotely selectable stages. The alarm tone frequencies for the first 2 stages are independently selectable.

The GNEx range features enclosures manufactured from GRP (glass reinforced polyester), molded in natural red, but also available in other colors.

The re-entrant flare horn is high impact, fire retardant ABS. All models have two M20 cable entries, large termination areas containing in & out terminals and an ingress protection of IP66/67. The AC voltage model has a range of 100-260vac & dc - suitable for 110Vdc gas detection systems.

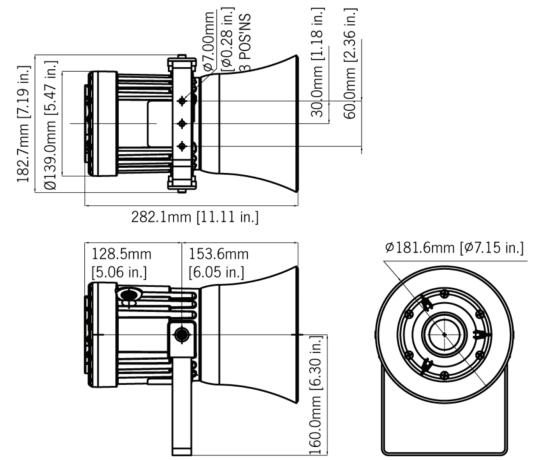
Approvals

- ATEX certificate: SIRA 13ATEX1139X, EN 60079-0 : 2012, EN60079-1: 2007
- ECEX certificate: IECEx SIR 13.0029X, IEC 60079-0 : 2011 (Ed6), IEC 60079-1: 2007 (Ed6)
- TR-CU Ex EAC certificate: RU C-GB.AA71.B.00109

Coding

- II 2G Ex d IIC T4 Ta. -60° to +50°C
- II 2G Ex d IIC T3 Ta. -60° to +70°C
- II 2G Ex d IIB T6 Ta. -60° to +50°C
- II 2G Ex d IIB T5 Ta. -60° to +65°C
- II 2G Ex d IIB T4 Ta. -60° to +70°C





Specifications

Item	Description
Maximum output	117dB (A) @ 1 meter [108dB (A) @ 10ft/3m]
Nominal output	110dB (A) @ 1m +/- 3dB - Tone 2 [101dB (A) @ 10ft/3m]
No. of tones	64 (UKOOA / PFEER compliant)
No. of stages	4
Volume control	Max. 110dB (A); Min. 72dB (A) - Tone 44
Effective range	100m/328ft @ 1 KHz
Voltages DC	24vdc (10-30vdc), 48vdc (38-60vdc)
Voltages AC	230vac (100-260vac/dc)
Stage switching	Negative or positive
Ingress protection	IP66/67
Enclosure material	GRP (glass reinforced polyester)
Color	RAL3000 Red (others available on request)
Flare Material	High impact UL94 V0 & 5VA FR ABS (Red)
Cable entries	Dual M20 ISO
Terminals	0.5 - 2.5mm ² (20-14 AWG)
Enclosure volume	<2 liters
Line monitoring	Blocking diode included EOL Min. 500 Ohm 2w, or 3k3 Ohm 0.5w resistor or diode (DC versions) can be fitted
Weight	3.00kg/6.6lbs AC: 3.20kg/7.04lbs

Ordering Information

Model	Voltage	Current
GNEXS1-024	10-30 VDC	140mA @ 24 VDC
GNEXS1-048	38-60 VDC	73mA @ 48 VDC
GNEXS1-115-230	100-260 VAC/DC 50/60Hz	86mA @115 VAC / 75mA @ 230 VAC

2 x M20 cable entries; brass stopping plug. 304 (A2) Stainless steel mounting bracket

64 onboard selectable tones:

Please visit our web site for full description and sound files

GNEXS1

Alarm Horn Sounder 117dB (A)