

# aXtion Extreme MP for Surface Go 3

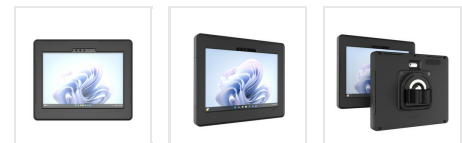
HazLoc certified, Rugged and Waterproof Case with Certified Installation Service (Surface Go not Included)

SKU: CWM417MP  
MSRP: \$899.99

The aXtion Extreme MP is specialized for hazardous environments. It boasts Class I Div 2, Class II Div 2, Class III Div 1 & 2 certifications for Surface Go 3<sup>1</sup> with additional ATEX Zone 2 compliance for Surface Go 3<sup>2</sup>. The case is an economic alternative to an industrial PC solution and is safe for extreme work environments like oil, gas, mining and manufacturing. Built with no compromises, this case provides top of the line protection giving stakeholders peace of mind knowing their crew is safe in environments with flammable vapors or gases; combustible dust; and easily ignitable fibers or flyings in the air. Other protective features include: screen and camera lens protectors; button and port covers; and reinforced corners.

The case is compatible with all MagConnect quick connect and quick release mounts. These ergonomic mounts allow mobile users to work hands-free no matter where their "office" is. The case is compatible with VESA 100 mounting systems and features; a rotating silicone hand strap, multi-angle kickstand, button, port, and camera covers/protectors.

- Designed for Surface Go 3
- Hazardous location certified - See "Specifications" tab for more details
- For hands-free usage the case can be paired with any MagConnect compatible mount; allowing the user to focus on the task at hand
- Features include: screen protector, cable lock slot, button and port covers, hand strap and kickstand
- Maximize mobility with these optional accessories: Universal Shoulder Strap and Harness



## BENEFITS

- Expand Usability
- Increase Mobility
- High Quality
- Peace of Mind
- Improve Efficiency
- Protect Investment

## FEATURES



HazLoc Certified



Military Grade



Mount Compatible



Screen Protector



Waterproof

The Joy Factory Inc.

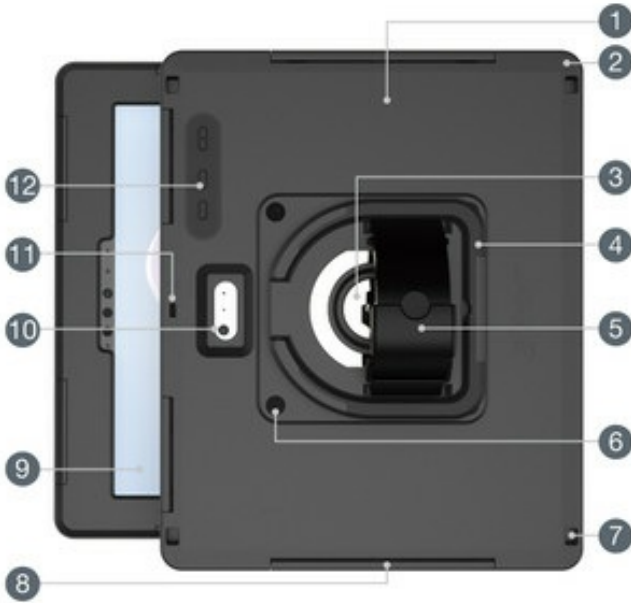
16811 Hale Ave Bldg D, Irvine, CA 92606 | sales@thejoyfactory.com | T : 949.216.8869 | F : 949.216.8869 | www.thejoyfactory.com



Protect Secure Position



## TECHNICAL SPECIFICATIONS



The information on this data sheet is subject to change at any time at the discretion of The Joy Factory

### Case Specifications:

Dimensions: 8.69" x 10.6" x 2"

Weight: 1.73 lbs.

Waterproof Rating: IP68

Shockproof Rating: MIL-STD-810H

<sup>2</sup>ATEX Zone 2 Compliance: Ex ic nc IIC T5 Gc -20°C<Tamb< +40°C, IP6 (Surface Go 3 models 1901, 1926, 2022)

<sup>1</sup>NA Compliance: Class I and Class II, Div. 2 & Class III Div. 1 & Div. 2, Groups A - D, F, G, T5, -20°C to +40°C, IP64 (Surface Go 3 models 190

1926, 2022)Disclaimer: The final Surface and case solution is assembled, installed and certified with a seal by The Joy Factory. Tampering or removal of the seal voids both the certification and warranty.

### Case Features:

1. Robust outer shell provides hazardous location protection
2. Reinforced corners
3. MagConnect adapter for compatibility with all MagConnect Mounts
4. Rotating, multi-angle and anti-slip kickstand and carrying handle
5. Adjustable silicone hand strap - easy to clean
6. VESA 100 Compatible
7. Universal Shoulder Strap port
8. Charging port cover
9. Built-in heavy-duty screen protector
10. Front and rear facing camera lens covers
11. Security lock port
12. Molded-In Buttons

aXtion Extreme MP for Surface  
Go 3

**SKU: CWM417MP**  
**Product type: Cases**  
**MSRP: \$899.99**

### PRODUCT SPECIFICATIONS

Compatible with: Surface Go 3

Product height: 8.69 in

Product width: 10.6 in

Product thickness: 2 in

Product weight: 1.73 lb

Package height: 12.5 in

Package width: 9.25 in

Package depth: 2.2 in

Package weight: 2.14 lb

UPC: 810041121004

Warranty: 1 Year

Certifications: C1D2,C2D2,C3D1,C3D2

Compliance: ATEX Zone 2,IP68,MIL-STD-810H

Rating: Waterproof

Package content: Case, User Guide

Material: ASA,PC