

DATASHEET - TLA 214A3 EXPLOSION PROOF PHONE

PABX & TELEPHONE SYSTEM EQUIPMENT



- zone 1 & 2
- zone 21 & 22

DESCRIPTION - TLA 214 Range Eex d Explosion Proof Telephone

The TLA 214A3 'Eexd' type telephone is design for hazardous environments and meets industrial and offshore requirements. The aluminum body with special treatment is designed to withstand most chemical and environmental hazards found on - or offshore.

The TLA 214 range phone can integrated with different communication solutions. It can work as standard analog phone by connect to standard PBX, or it can become intercom by connect to center exchange, with optional built-in amplifier.

MECHANICAL DATA

• Housing/Handset	Aluminum Light-alloy
• Handset cord:	Stainless steel 100kg resistance
• Mounting:	Wall or Pole
• Diameter	215 X 300 X 190 mm
• Cable Entry	2 x 3/4" NPT For cable on sheath Ø7-12mm
• Connection	Inside screw connections
• Weight	Approx. 9 kg
• Color	RAL 2003 (Orange). Other color as option

ELECTRICAL DATA

• Direct current supply:	12 to 60 Vdc
• Consumption:	< 40mA
• Ringing voltage:	35 – 80 Vac
• Dialing:	DTMF/pulse
• Flashing/earth:	Adjustable
• Electronic Bell:	80 dB @ 1M
• Hook:	Magnetic
• Conversation Mode:	By handset
• Noise cancelling:	Noise cancelling circuit

ENVIRONMENT

• Ambient temperature during operation	-20 °C to + 50 °C
• Relative humidity (non -condensing)	Max. 95 %
• Degree of protection	IP55 or IP65
• Certification	ATEX/IECEx Ex db ib IIB or IIB+H2 T4 Gb) ATEX Number: INERIS 03ATEX0238X

ORDER NUMBER	DESCRIPTION
TLA 214 A3A	Analog phone with 14 buttons aluminum keypad, handset, Eex d IIB T4
TLA 214 A3AH	Analog phone with 14 buttons aluminum keypad, handset, Eex d IIB+H2 T4
TLA 214 A3AC9L	Analog phone with 14 buttons aluminum keypad, handset and display, Eex d IIB T4

Option : Explosion proof headset pre-wiring with phone. order by option letter '/XC'.

DATASHEET - TLA 214A3 EXPLOSION PROOF PHONE

PABX & TELEPHONE SYSTEM EQUIPMENT

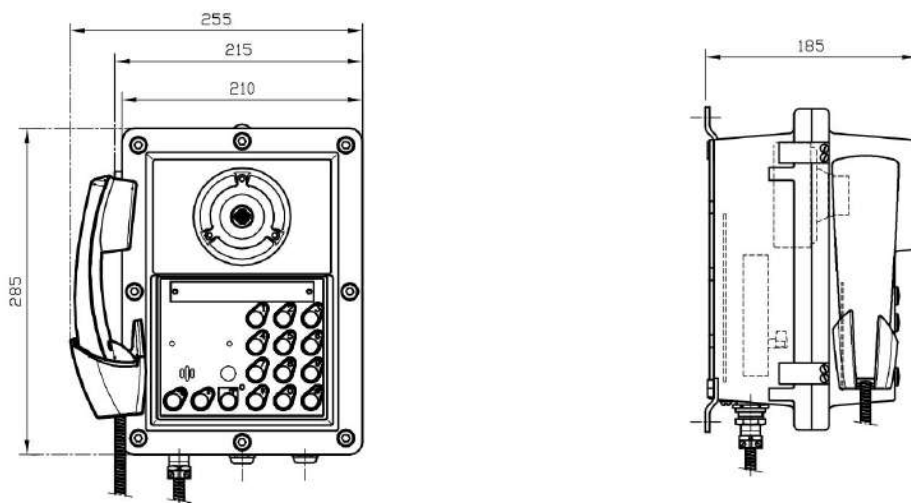
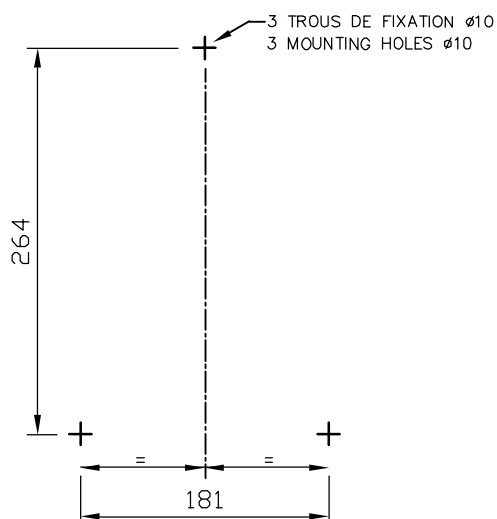
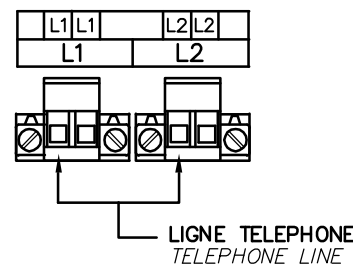


Fig. 1: Dimensional drawing TLA 214

BETWEEN HOLES FOR MOUNTING



RACCORDEMENT -
- WIRING -



THIS CASING INCLUDES:

- (A) 1 LOUDSPEAKER'S MOTOR
- (B) 1 TELEPHONE CARD
- (C) 1 COATED PCB
- (D) 1 KEYBOARD CARD
- (E) 1 HANDSET
- (F) 2 CABLES GLANDS FOR CABLE $\varnothing 7$ to $\varnothing 12$ MAX

REFERENCES

- CE225V7
- WK205CMAATX
- WK098PLIATX
- WK133CL9
- MS436A17G68
- EGM8ATX

Installation, Operation and Maintenance Procedures

- Open the pivoting front panel removing the eight screws
- Pass the cables through the cableglands being sure that the cable fit with the rubber gasket.
- Connect the telephone wires at the screw terminals
- Close the front panel in conformity to the safety rules for classified areas

This equipment is supplied with a 2 year warranty against defective workmanship