



► Models AM300X and AM302X

AudioMaster® Public Address Explosion-Proof Speakers

Federal Signal's Models AM300X and AM302X are transformer coupled, re-entrant speakers for use in public address or paging applications. These speakers feature rugged cones and projectors constructed of spun aluminum. The speaker wiring connections are enclosed in a dust- and moisture-proof, die-cast aluminum compartment. All external surfaces are sealed with a red or gray powder coat paint.

The unique shape of the speaker projectors provides a 60° sound dispersion. The entire speaker can be swiveled 180° in order to direct sound effectively.

Models AM300X and AM302X can be used with supervised alarm notification systems or the AudioMaster® amplifiers with the AudioRouter™ to complete an industrial grade public address system.

FEATURES

- 15 watt (AM300X) or 30 watt (AM302X)
- 25 or 70 Vrms
- Transformer coupled
- Re-entrant horn design
- Heavy-duty U-bracket swivel mount
- Type 4X, IP65 enclosure
- CSFM Approved for Model AM300X only
- UL and cUL Listed for Class I, Division 1, Groups B, C and D; Class I, Division 2, Group A, B, C, and D; Class II, Division 2, Groups F and G; Class III
- AM300X is UL Fire Listed

MODEL	POWER HANDLING	FREQUENCY RESPONSE	TRANSFORMER	POWER TAPS	SPL PER UL 1480		SPL ON AXIS	
					10'	1M	10'	1M
AM300X-*	15 watt	400-4000Hz	25/70 Vrms	15, 7, 2, 1	99 dBa	109 dBa	106 dBa	116 dBa
AM302X-*	30 watt	400-4000Hz	25/70 Vrms	30, 15, 8	103 dBa	113 dBa	112 dBa	122 dBa

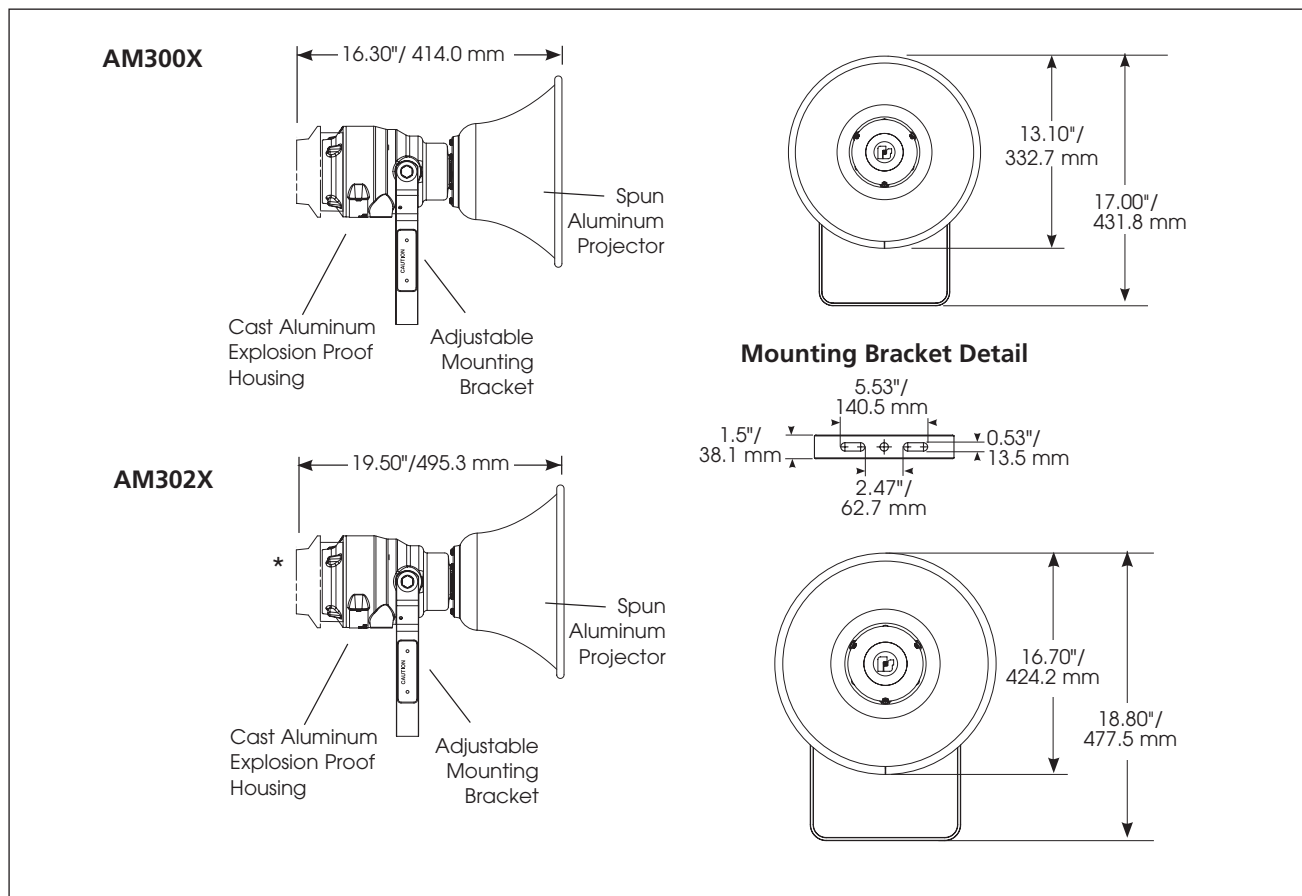
* Indicates housing color: (-R) for Red housing, leave blank for Gray

HAZARDOUS LOCATION RATING: AM300X and AM302X

T-CODE AT MAXIMUM AMBIENT TEMPERATURE, °C

Hazardous Location	AM300GCX		AM302GCX	
	40°C	66°C	40°C	66°C
Class I, Division 1, Groups B, C, D	T6	T6	T6	T6
Class I, Division 2, Groups A, B, C, D	T4A	T3	T4	T4
Class II, Division 2, Groups F, G	T6	T6	T6	T6
Class III	T6	T6	T6	T6

AudioMaster® Public Address Explosion-Proof Speakers (AM300X and AM302X)



SPECIFICATIONS

AM300X

Electrical Operating Temperature:	-67°F to 150°F	-55°C to 66°C
Certified Operating Temperature:	-40°F to 150°F	-40°C to 66°C
Net Weight:	15.7 lbs	7.1 kg
Shipping Weight:	23.1 lbs	10.5 kg
Height:	17.00"	431.80 mm
Width:	13.10"	332.7 mm
Depth:	16.30"	414.0 mm

AM302X

Electrical Operating Temperature:	-67°F to 150°F	-55°C to 66°C
Certified Operating Temperature:	-40°F to 150°F	-40°C to 66°C
Net Weight:	17.1 lbs	7.8 kg
Shipping Weight:	33.1 lbs	15.0 kg
Height:	18.80"	477.5 mm
Width:	16.70"	424.2 mm
Depth:	19.50"	495.3 mm

HOW TO ORDER

