



► Model AM15XD2

AudioMaster® Public Address Hazardous Location Speaker

Model AM15XD2 is an 8 Ohm, re-entrant, Type 4X speaker for use in public address or paging applications. Model AM15XD2 features a rugged cone and projector constructed of spun aluminum. The speaker wiring connections are enclosed in a dust- and moisture-proof, die-cast aluminum housing. All external surfaces are sealed with a gray powder coat paint.

Four screws inserted through the metal tabs located at the sides of the housing provide a quick wall mount installation. Two 1/2-inch conduit openings in the base of the housing simplify wiring and accommodate inbound and outbound audio wiring. The unique shape of the speaker projector provides a 60° sound dispersion. The projector is held in position with a Teflon coated lock ring that can be rotated 180° in order to obtain the desired sound distribution.

Model AM15XD2 can be used with the AudioMaster® CTS series amplifiers and the AudioRouter™ to complete an industrial-grade public address system.

FEATURES

- 8 Ohm
- 15 watt
- Re-entrant horn design
- Wall mount
- 1/2-inch conduit openings
- Type 4X, IP66 enclosure
- IP69K compliant
- UL and cUL listed for Class I, Division 2, Groups A, B, C, and D; Class II, Division 2, Groups F and G; Class III

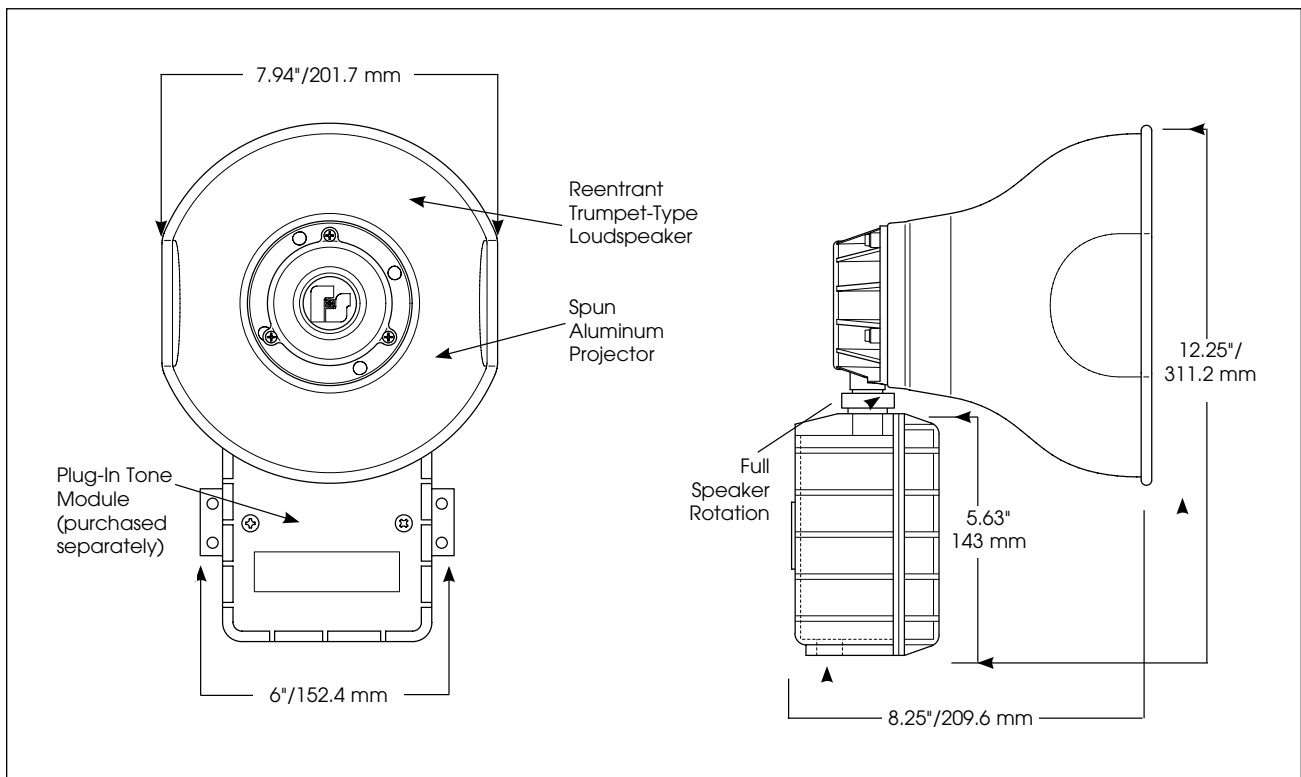
MODEL	POWER HANDLING	FREQUENCY RESPONSE	IMPEDENCE	BEAM WIDTH	DECIBELS	
					10'	1M
AM15XD2	15 watt	400-4000Hz	8 Ohm	60°	110	120

HAZARDOUS LOCATION RATING: AM15XD2

T-CODE AT MAXIMUM AMBIENT TEMPERATURE, °C

Hazardous Location	40°C	66°C
Class I, Division 2, Groups A, B, C, D	T3C	T3A
Class II, Division 2, Groups F, G	T3C	T3A
Class III	T3C	T3A

AudioMaster® Public Address Hazardous Location Speaker (AM15XD2)



SPECIFICATIONS

Operating Temperature:	-40°F to 151°F	-40°C to 66°C
Net Weight:	4.85 lbs.	2.2 kg
Shipping Weight:	6.0 lbs.	2.72 kg
Height:	12.25"	311.2 mm
Width:	7.94"	201.7 mm
Depth:	8.25"	209.6 mm

HOW TO ORDER

Specify Model:
AM15XD2 – Hazardous Location Speaker,
 15 watt, 8 Ohm