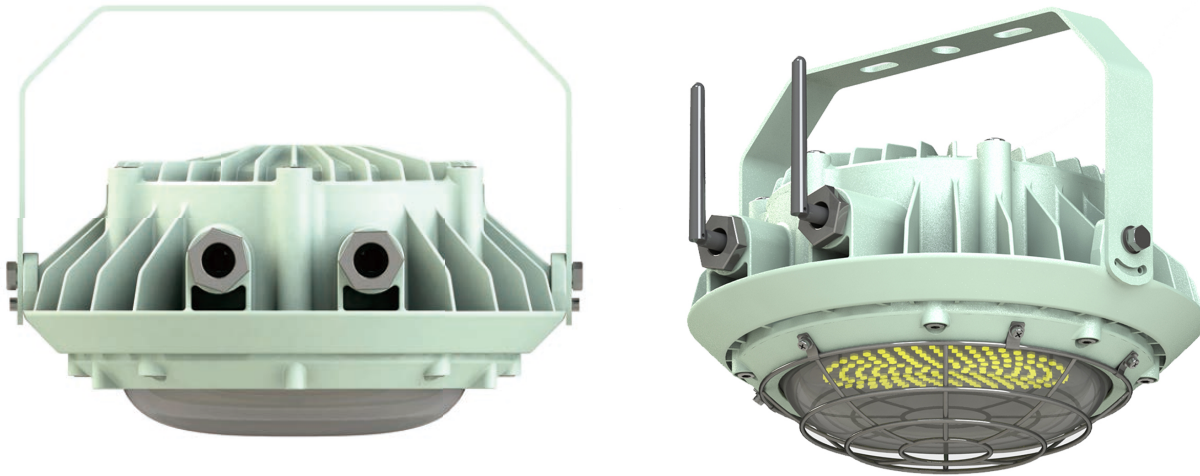


CS-EXHB86-SM LED EXPLOSION PROOF LIGHT

Zone 1,2 & 21,22
Class I, Division 1,2
Class II, Division 1,2



- Body: Low copper content aluminium alloy fitted with cooling fins for better heat dissipation
- Glass face: Shock and temperature resistant tempered glass sealed with aluminium ring
- Chips: Lumileds or Cree
- Lumen efficient: >110lm/w
- Drivers: Inventronics
- Wide voltage: 100-305VAC
- Ambient operating temperature: -30°C to +50°C
- Power factor: > 0.95
- THD (Total Harmonic Distortion): <20%
- Inrush current: <65A
- II 2G Ex db IIC T6 Gb; II 2D Ex tb IIIC T(Max 80°C) Db

Application:



Oil fields



Oil refinery



Chemical industry



Military base



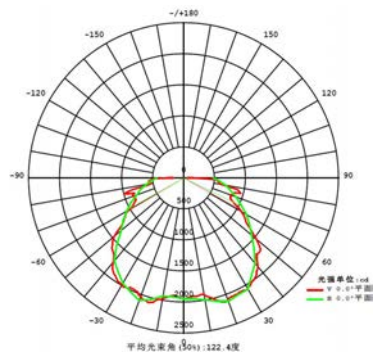
Offshore oil platform

TECHNICAL DATA:

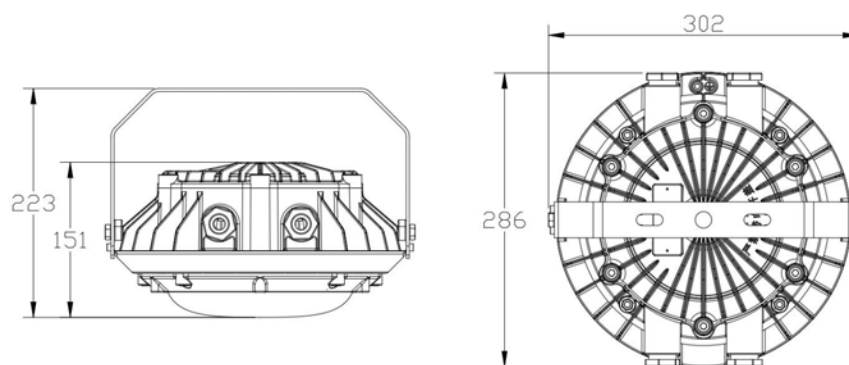
Rated power: 50/60W/70W/80W/100W
 Temp. Class: T6
 Protection class: IP66
 Color temp.: 2700~6500k(optional) CRI: >80
 Net weight:8KG
 Certificate: ATEX,CE,Rohs Applications :Zone
 1,2 &21,22 Class I, Divison 1,2
 Class II, Division 1,2
 Option Steel Mesh

Ordering code	Rated Power	Light Efficient	Beam Angle	Luminous Flux
86050	50W	110lm/W	120°	5500lm
86060	60W	110lm/W	120°	6600lm
86070	70W	110lm/W	120°	7700lm
86080	80W	110lm/W	120°	8800lm
86090	90W	110lm/W	120°	9900lm
86100	100W	110lm/W	120°	11000lm

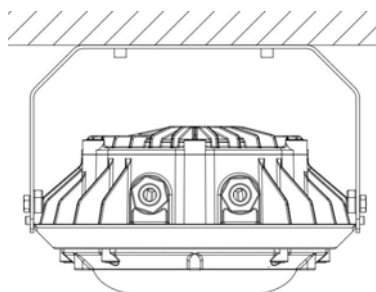
Lighting Distribution Curve:



Dimension:



Mounting type:



Ceiling type (x1)