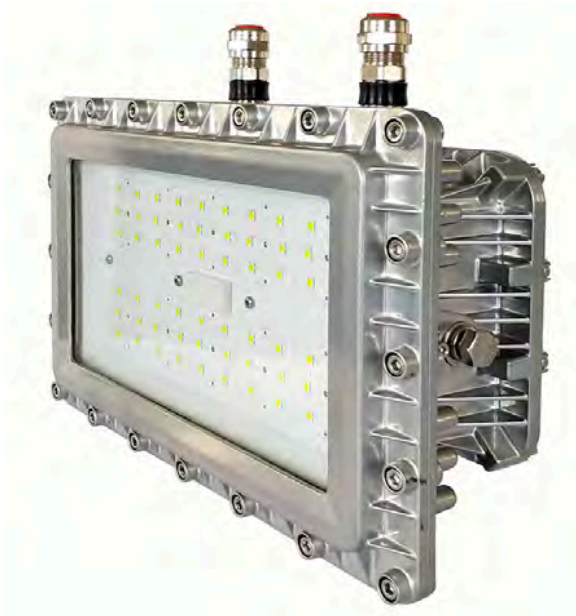


LED EXPLOSION PROOF FLOOD LIGHT

Zone 1,2 & 21,22
Class I, Division 1,2
Class II, Division 1,2



- Body: Low copper content aluminium alloy fitted with cooling fins for better heat dissipation
- Glass face: Shock and temperature resistant tempered glass sealed with aluminium ring
- Gaskets: Acid, hydrocarbon and high temperature resistant silicone
- Chips: Lumileds 5050
- Lamp efficient: >130lm/w
- Drivers: Meanwell
- Wide voltage: 90-305VAC
- Surge Protection: 6KV
- Power factor: > 0.95
- THD (Total Harmonic Distortion): <20%
- Inrush current: <65A
- Ex sign: II 2 G Ex db II B T6 Gb ; II 2 D Ex tb III C T80 °C Db

Application:



Oil fields



Oil refinery



Chemical industry



Military base



Offshore oil platform

TECHNICAL DATA:

Rated power:80W/100W/120W/150W/160W/180W/200W

Lamp efficient: >130lm/w

Protection class: IP66

Temp. Class: T6

Color temperature.: 2700~6500k(optional)

CRI: >80

Beam angle: 30°,60°,90°,120° (optional)

Ambient operating temperature: -30°C to +55°C

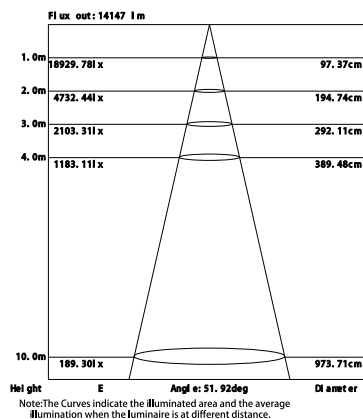
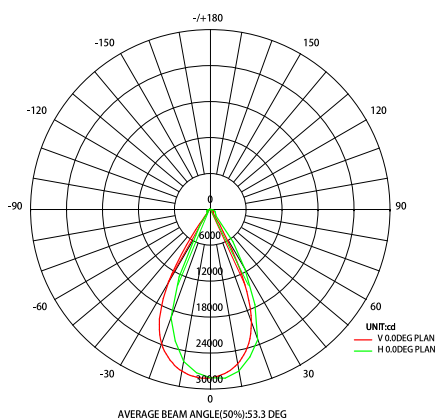
Certificate: ATEX&IECEX (issued by TUV),PCEC,CE,Rohs

N.W: 10KG

Applications :Zone 1,2 &21,22

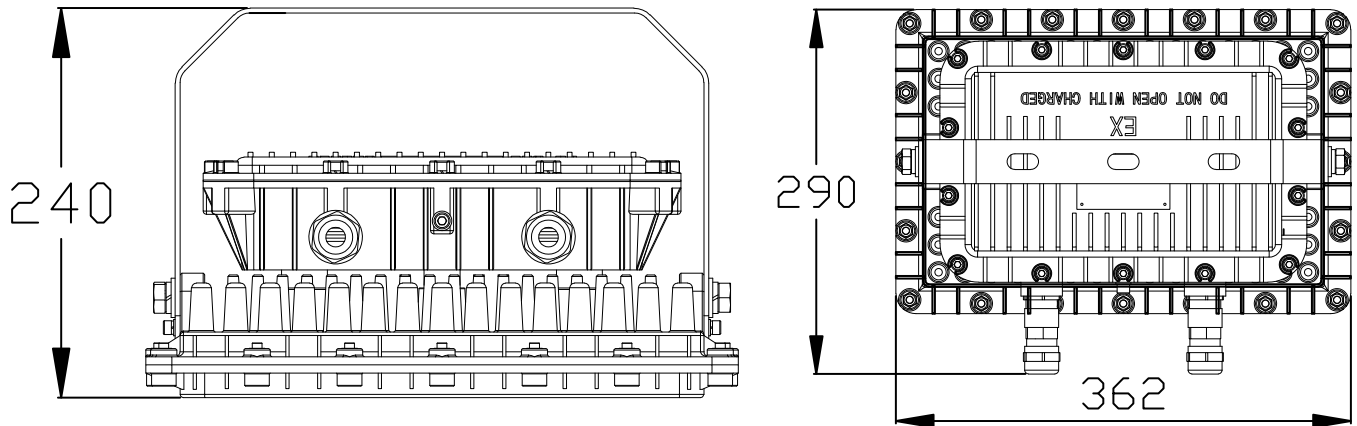
Class I, Divison 1,2 &Class II, Division 1,2

Ordering code	Rated Power	LED Quantity	Lens	Beam Angle	Luminous Flux
CSEXHFL80	80W	68(LUMILEDS 5050)	Lens	30° 60° 90°	10400lm
	80W	68(LUMILEDS 5050)	/	120°	10400lm
CSEXHFL100	100W	84(LUMILEDS 5050)	Lens	30° 60° 90°	13000lm
	100W	84(LUMILEDS 5050)	/	120°	13000lm
CSEXHFL120	120W	84(LUMILEDS 5050)	Lens	30° 60° 90°	15600lm
	120W	84(LUMILEDS 5050)	/	120°	15600lm
CSEXHFL150	150W	84(LUMILEDS 5050)	Lens	30° 60° 90°	19500lm
	150W	84(LUMILEDS 5050)	/	120°	19500lm
CSEXHFL160	160W	84(LUMILEDS 5050)	Lens	30° 60° 90°	20800lm
	160W	84(LUMILEDS 5050)	/	120°	20800lm
CSEXHFL180	180W	84(LUMILEDS 5050)	Lens	30° 60° 90°	21600lm
	180W	84(LUMILEDS 5050)	/	120°	21600lm
CSEXHFL200	200W	84(LUMILEDS 5050)	Lens	30° 60° 90°	24000lm
	180W	84(LUMILEDS 5050)	/	120°	24000lm

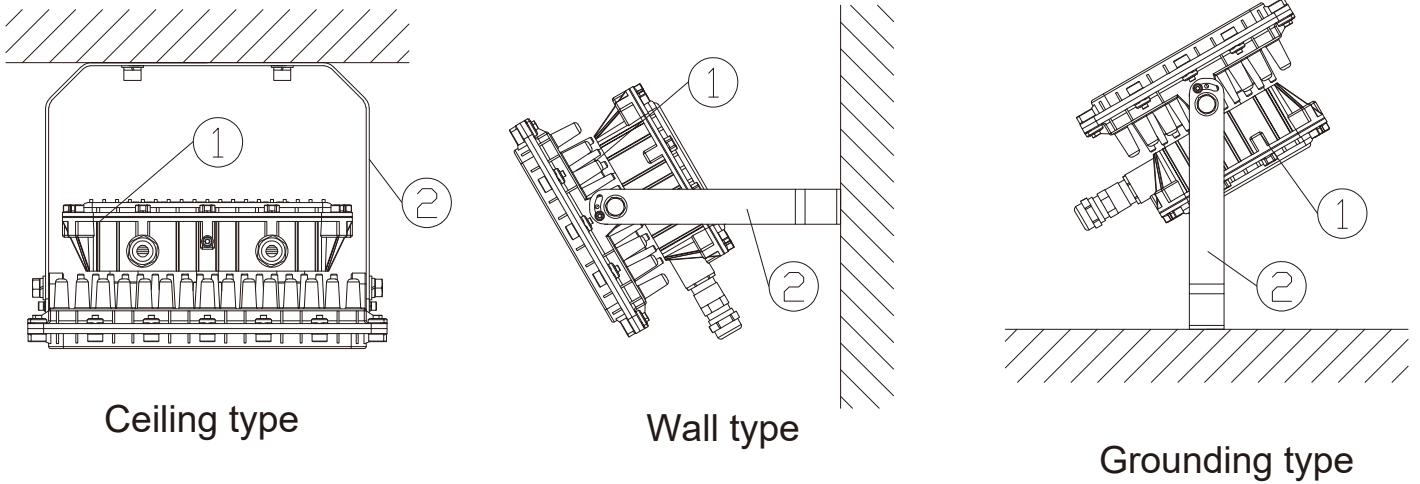


Model No.CSEXHFL

Dimension:(mm)



Mounting type:



Ceiling type

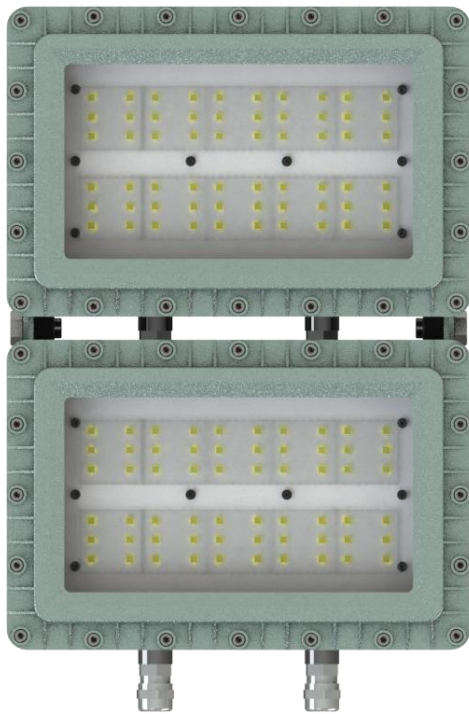
Wall type

Grounding type

Mounting accessories and spare parts table:

No.	Name
1	CSEXHFL LED explosion proof light
2	U-bracket

LED EXPLOSION PROOF FLOOD LIGHT



TECHNICAL DATA

Rated power:240W/300W/320W/360W/400W

Lamp efficient: >110lm/w

Protection class: IP66

Temp. Class: T6

Color temperature.: 2700~6500k(optional)

CRI: >80

Beam angle: 30°,60°,90°,120° (optional)

Ambient operating temperature: -30°C to +55°C

Certificate: ATEX&IECEX (issued by TUV),PCEC,CE,Rohs

N.W: 20KG

Applications :Zone 1,2 &21,22

Class I, Divison 1,2 &Class II, Division 1,2

- Body: Low copper content aluminium alloy fitted with cooling fins for better heat dissipation
- Glass face: Shock and temperature resistant tempered glass sealed with aluminium ring
- Gaskets:Acid, hydrocarbon and high temperature resistant silicone
- Chips: Lumileds 5050
- Lamp efficient: >110lm/w
- Drivers: Meanwell
- Wide voltage: 90-305VAC
- Surge Protection:6KV
- Power factor: > 0.95
- THD (Total Harmonic Distortion): <20%
- Inrush current: <65A
- Ex sign: II 2 G Ex db II B T6 Gb ; II 2 D Ex tb III C T80°C Db

Application:



Oil fields



Oil refinery



Chemical industry



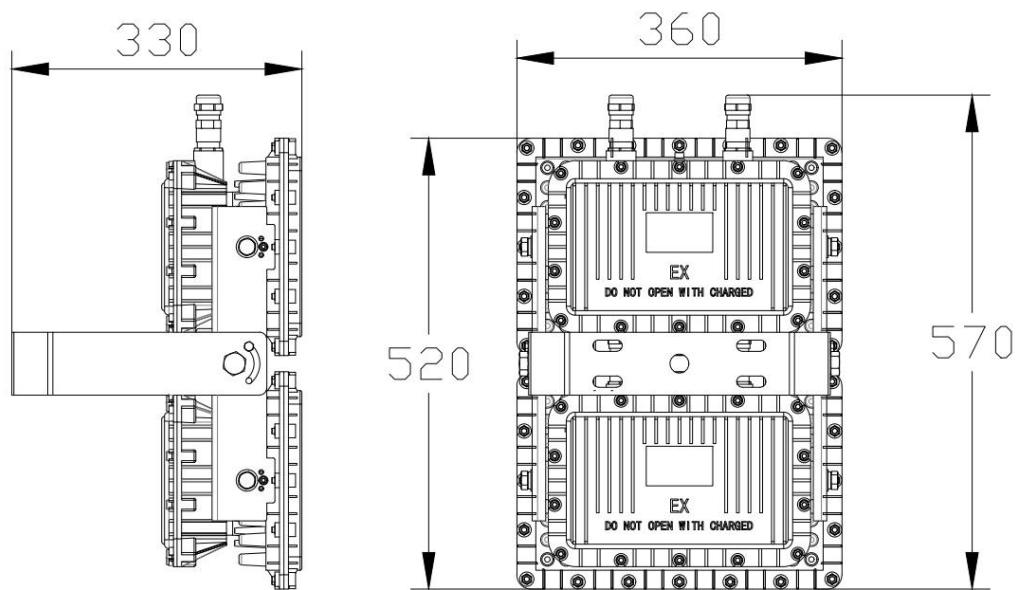
Military base



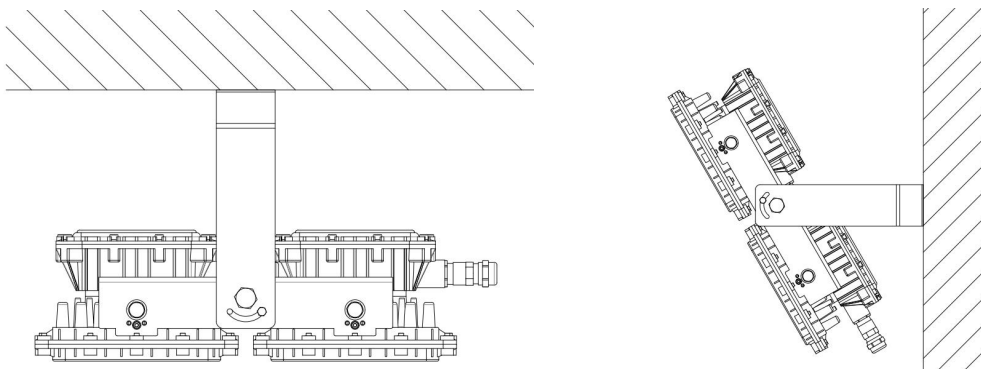
Offshore oil platform

Ordering code	Rated Power	Light Efficient	Lens	Beam Angle	Luminous Flux
CSEXHFL240	240W	130lm/W	Lens	30° 60° 90°	31200lm
	240W	130lm/W	/	120°	31200lm
CSEXHFL300	300W	120lm/W	Lens	30° 60° 90°	36000lm
	300W	120lm/W	/	120°	36000lm
CSEXHFL320	320W	120lm/W	Lens	30° 60° 90°	38400lm
	320W	120lm/W	/	120°	38400lm
CSEXHFL360	360W	110lm/W	Lens	30° 60° 90°	39600lm
	360W	110lm/W	/	120°	39600lm
CSEXHFL400	400W	110lm/W	Lens	30° 60° 90°	44000lm
	400W	110lm/W	/	120°	44000lm

Dimension:(mm)



Mounting type:



Ceiling type

Wall type