



► Model 225XL

Electraray® Hazardous Location LED Warning Light



Model 225XL is a hazardous location warning light available in 24VAC/DC or self-detecting 120-240VAC. The unit comes standard in flashing mode and is field configurable to steady.

The zinc die-cast alloy, e-coated base features a 1/2" NPT pipe mount, inner Fresnel lens, and clear polycarbonate outer dome. The clear dome can be quickly removed for easy access to perform maintenance.

225XL is designed to protect against corrosion, vibration, water- and dust-ingress, and high pressure and temperature washdowns. The unit is ideal in harsh and hazardous applications including industrial warning, process control, status indication, food processing, and oil and gas environments.

FEATURES

- Available in 24VAC/DC and 120–240VAC
- Five lamp/lens colors: Amber, Blue, Clear, Green and Red
- Flashing mode standard, configurable to steady-burn
- 50,000 hour, vibration-resistant LED lamp
- 1/2-inch NPT pipe mount
- Type 4X, IP66 enclosure
- IP69K compliant
- Marine Listed
- UL and cUL Listed for Class I, Division 2, Groups A, B, C and D; Class II Division 2, Groups F and G; Class III
- NSF Certified

MODEL	VOLTAGE	OPERATING CURRENT	IN-RUSH CURRENT	FLASH RATE/ MINUTE	LIGHT OUTPUT	MOUNT
225XL-024*	24VAC/DC	0.38 amps	1.75 amps, 5.0 mS	60	238cd	1/2" NPT Pipe
225XL-120-240*	120-240VAC	0.21-0.13 amps	2.00 amps, 0.25 mS	60	238cd	1/2" NPT Pipe

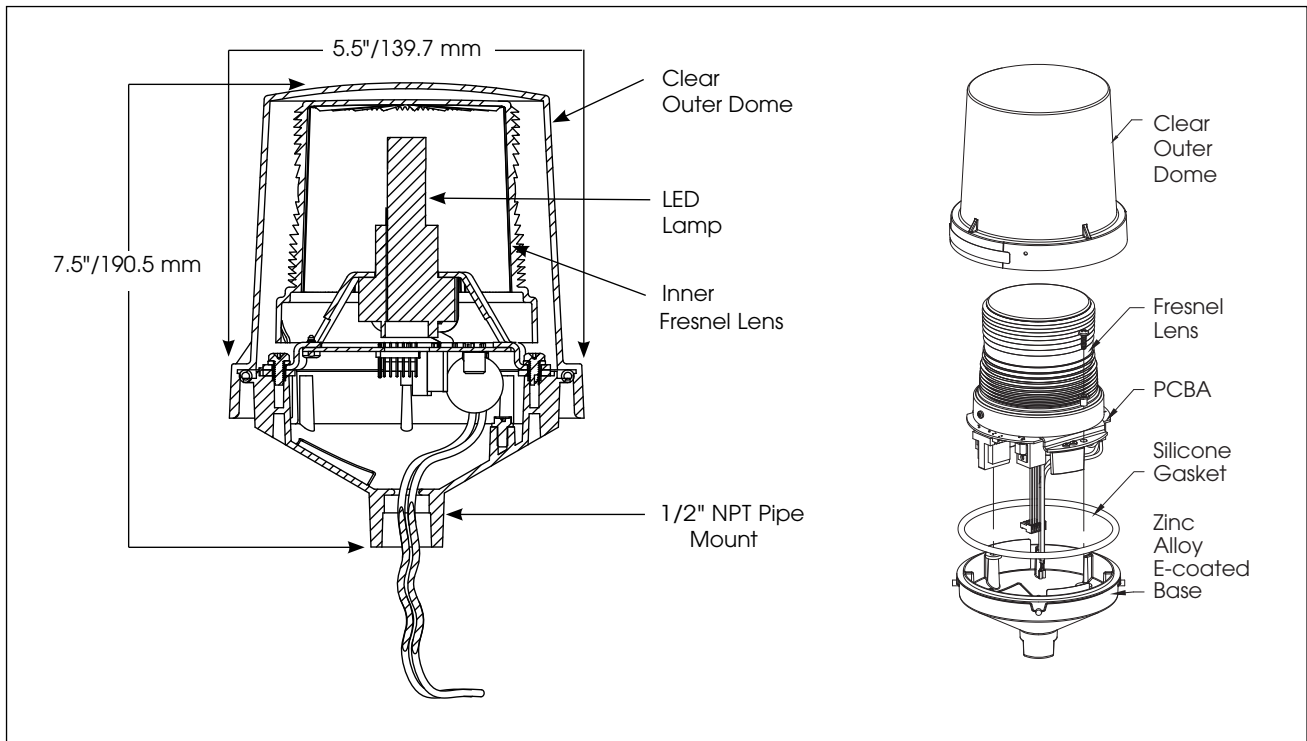
* Indicates color: (A) Amber, (B) Blue, (C) Clear, (G) Green or (R) Red

HAZARDOUS LOCATION RATING: 225XL

T-CODE AT MAXIMUM AMBIENT TEMPERATURE, °C

Hazardous Location	40°C	55°C	66°C
Class I, Division 2, Groups A, B, C, D	T6	T5	T4A
Class II, Division 2, Groups F, G	T6	T6	T6
Class III	T6	T6	T6

Electraray® Hazardous Location LED Warning Light (225XL)



SPECIFICATIONS

Lamp Life:	50,000 Hours
Light Source:	LED
Operating Temperature: -58°F to 150°F	-50°C to 66°C
Net Weight:	3.2 lbs 1.5 kg
Shipping Weight:	4.0 lbs 1.8 kg
Height:	7.5" 190.5 mm
Diameter:	5.5" 139.7 mm

HOW TO ORDER

225XL	-	120-240	A
TYPE 225XL		VOLTAGE 024 (24VAC/DC) 120-240 (120-240VAC)	COLOR A Amber B Blue C Clear G Green R Red

REPLACEMENT PARTS

Description	Part Number
PC Board Assembly, 24VAC/DC	K2005455A
PC Board Assembly, 120/240VAC	K2005416A
LED Lamp, Amber	K14700030A-A
LED Lamp, Blue	K14700030A-B
LED Lamp, Clear	K14700030A-W
LED Lamp, Green	K14700030A-G
LED Lamp, Red	K14700030A-R
Exterior Dome, Clear ¹	K8444D219C-04
Interior Lens Kit, Amber ¹	K8550292A-02
Interior Lens Kit, Blue ¹	K8550292A-01
Interior Lens Kit, Clear ¹	K8550292A
Interior Lens Kit, Green ¹	K8550292A-04
Interior Lens Kit, Red ¹	K8550292A-03

¹ Includes 1 dome gasket

OPTIONAL ACCESSORIES

Description	Part Number
Hazardous Location Mounting Bracket	LHWB