



► Model G-SPK

Global Series® Hazardous Location Loudspeaker

Global Series® Loudspeakers utilize the latest techniques in non-metallic housing construction to improve corrosion resistance and reduce weight when compared to traditional metal housings. Standard (15W) models are certified for gas Group IIC environments, and High Power (30W) models are certified for gas group IIB environments.

The Global Series Loudspeakers are available with explosion-proof Ex d surface, Ex d trunnion, or Ex de surface mounts. Ex d surface and trunnion mount models come standard with two (2) M20 entries. The increased safety Ex de surface mount models include a separate terminal chamber for quick field termination or pass-through wiring and include three (3) M20 entries in a standard configuration.

Global Series Loudspeakers are designed to accept an audio input of either 70 Vrms or 100 Vrms (model-specific). Five (5) remotely selectable tap settings are available at each of the high and low volume settings (user configurable)*.

Standard (15W) Global Series Loudspeakers can be combined with all other Global Series audible and visual products in several custom configurations. Custom configurations can be ordered directly from the factory. Optional coupling kits, which allow limited field fixturing, are available. (High Power (30W) Loudspeaker integration with custom configurations is coming soon).

FEATURES

- Available in 70 Vrms or 100 Vrms
- Optional ratcheting stainless steel U-bracket trunnion mount with mounting hardware (field installation required)
- Non-metallic corrosion resistant design
- Field customizable legend plates available
- Two M20 entries standard on Ex d models, three M20 entries standard on Ex de models
- Optional indicator rings are available in six colors: Black, Blue, Green, Magenta, Red and Yellow
- Type 4X, IP66 enclosure
- UKEX certified



*Standard (15W) models only

Global Series® Hazardous Location Loudspeaker (G-SPK)

RATINGS AND CERTIFICATIONS	STANDARD (15W)	HIGH POWER (30W)
ATEX/IECEX Certification Marking:	Ex db IIB T5 Gb or Ex db e IIB T5 Gb	Ex db IIB+H2 T4 Gb or Ex db e IIB+H2 T4 Gb
	Ex tb IIIC T100°C Db IP66	Ex tb IIIC T135°C Db IP66
	Ex db IIC T4 Gb or Ex db e IIC T4 Gb	Ex db IIB+H2 T4 Gb or Ex db e IIB+H2 T4 Gb
	Ex tb IIIC T135°C Db IP66	Ex tb IIIC T135°C Db IP66
	ATEX: Baseefa15ATEX0155X	Coming Soon
	IECEX: IECEX BAS 15.0104X	Coming Soon
UL and cUL Certification Marking:	Class I, Division 2, Groups A,B,C,D	Class I, Division 2, Groups A,B,C,D
	Class II, Division 2, Groups F,G	Class II, Division 2, Groups F,G
	Class III	Class III
	UL and cUL E12629	Coming Soon

MODEL	AUDIO LEVEL	MAX CURRENT DRAW	DECIBELS		VOLUME SETTING	AVAILABLE TAPS
			10'	1M		
G-SPK (15W)	70 Vrms	0.160 amps	100	110	High	15, 10, 7, 5, 2
	100 Vrms	0.110 amps	100	110	Low	1, 0.7, 0.5, 0.3, 0.1
G-SPK (30W)	70 Vrms	0.45 amps	112	122	Coming Soon	Coming Soon
	100 Vrms	0.32 amps	112	122	Coming Soon	Coming Soon

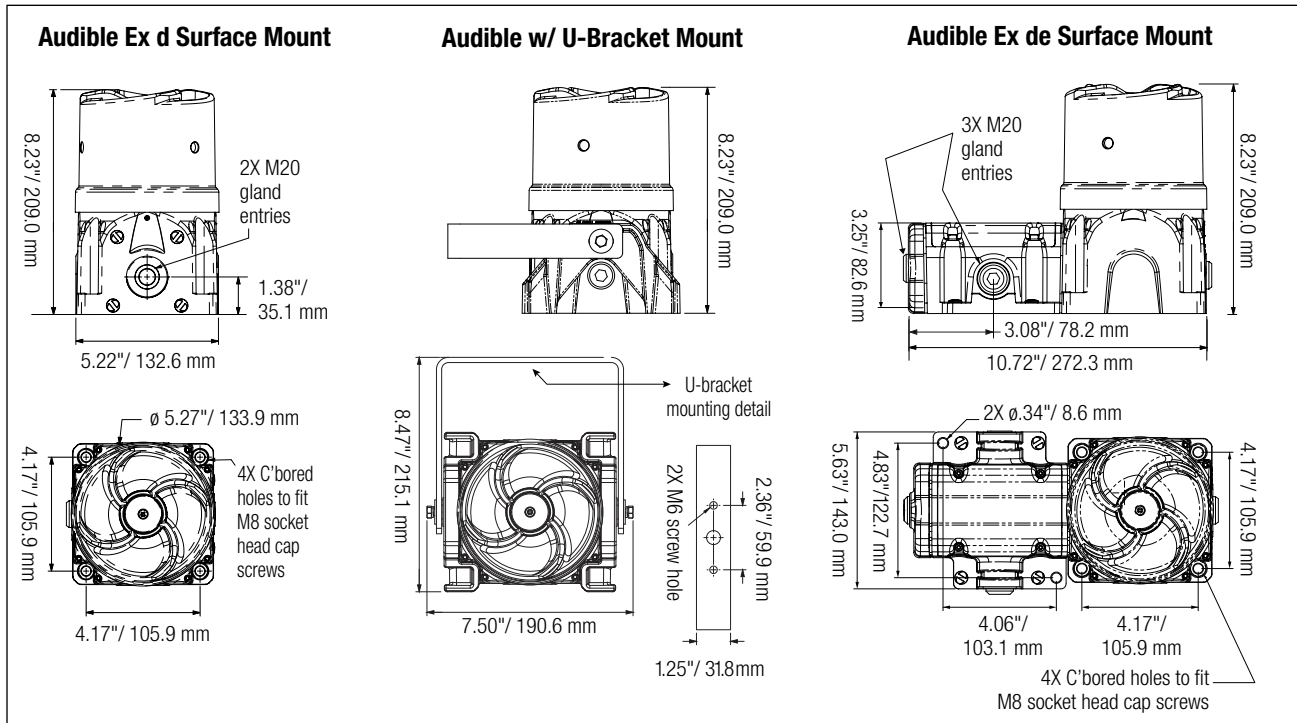
¹ Refer to application guide for specific wiring details

² Recommended labels for optional legend plates: BRADY #B-855 Toughwash labels or ULINE #S-16643 weather resistant

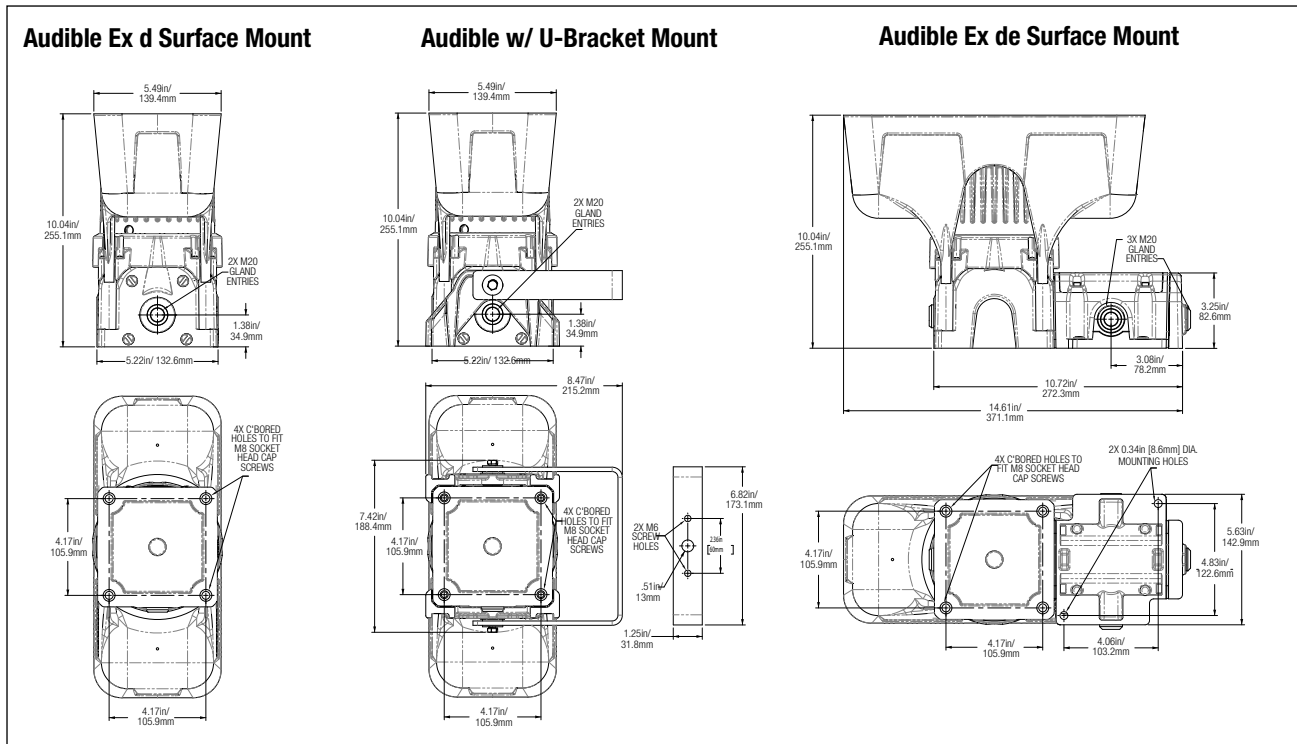
³ Measured using a reference frequency of 1.25 kHz at nominal input voltage

HAZARDOUS LOCATION RATINGS	STANDARD (15W)	HIGH POWER (30W)
UL/cUL Temperature Code at 70°C		
Class I, Division 2, Groups A, B, C, D	T4	T4
Class II, Division 2, Groups F, G	T6	T6
Class III	T6	T6
UL/cUL Class/Zone Temperature Code at 70°C		
	T4	T4
ATEX/IECEX Temperature Code at 49°C	T5 (in IIB) T4 (in IIC)	T4
ATEX/IECEX Temperature Code at 70°C	T4 (in IIB) T4 (in IIC)	T4

Global Series Hazardous Location Loudspeaker (G-SPK) Standard (15W) Models



Global Series Hazardous Location Loudspeaker (G-SPK) High Power (30W) Models



Global Series® Hazardous Location Loudspeaker (G-SPK)

SPECIFICATIONS

Operating Temperature: -67°F to 158°F (-55°C to 70°C)

Enclosure Material: Glass Reinforced Polycarbonate

External Fasteners: 316 stainless steel M8 socket head cap screws (4) for base module (3 in, 3 out with 4-tone selection terminals & select line)

Terminals: Ex d: 11 way block
Ex de: 3-pole, 4 position quad pole terminal blocks

Cable Entries: Ex d: 2 entries - M20 x 1.5
Ex de: 3 entries - M20 x 1.5

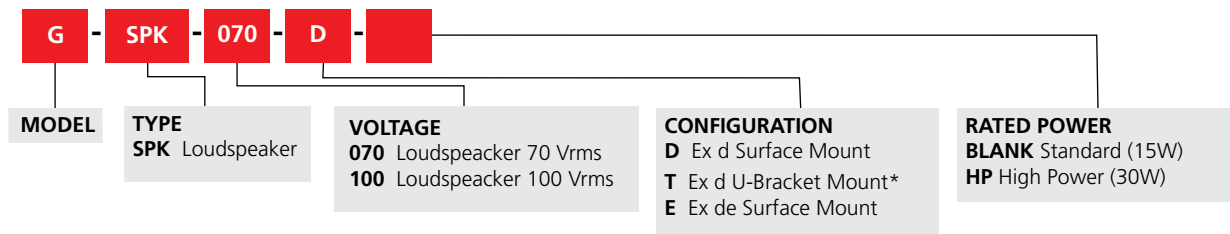
Net Product Weight:

	Standard (15W)
Ex d Surface Mount	9.61 lbs (4.36 kg)
Ex d U-Bracket Mount	11.59 lbs (5.26 kg)
Ex de Surface Mount	12.43 lbs (5.64 kg)
	High Power (30W)
Ex d Surface Mount	15.13 lbs (6.86 kg)
Ex d U-Bracket Mount	17.11 (7.76 kg)
Ex de Surface Mount	17.95 lbs (8.14 kg)

REPLACEMENT PARTS

Description	Part Number
Multi-voltage G-SND Sounder Kit (Includes PCBAs, Bracket, Driver, & Mounting Screws)	K859501404
Accessories	
E-Box Endcap with M20 Opening	K859500805-02
E-Box Endcap with M25 Opening	K859500805-01
E-Box Cover Assembly (Includes two terminal blocks, mounting plate, retention hardware)	K859501414
Adapter, M20 Male to 1/2" Female NPT	K231246A
Adapter, M20 Male to 3/4" Female NPT	K231247
Wall Mount Bracket	G-KIT-WBKT

HOW TO ORDER



* Field Installation Required