



► Models ASHH and ASUH

Hazardous Location Amplified Speakers

Models ASHH and ASUH Hazardous Location Amplified Speakers are designed to produce crisp, clear tones in supervised alarm notification systems. Both amplified speakers are compatible with fire alarm, voice evacuation, suppression supervised control panels and power boosters.

These amplified speakers can broadcast tones generated by a Tone Card installed into the speaker (the plug-in 32-tone UTM) or by a central tone source in a voice evacuation or paging system. When live public address or voice messages are required, plug-in Connector Cards (AM25CK or AM70CK) interface with the audio output of the EVAC panel.

The speaker cone and projector are constructed of rugged spun aluminum. The solid-state amplifier circuit is protected in a die-cast aluminum housing. Dust and moisture-proof gaskets provide protection from the elements. All external surfaces are sealed with red powder coat paint.

FEATURES

- 15 watt (ASHH) or 30 watt (ASUH)
- 24VDC
- Four wire supervisable power circuit
- Reliable, solid-state circuitry
- Digital signal amplification
- Fused input and output
- Built-in gain control
- External mounting tabs
- Type 4X, IP66 enclosure
- IP69K compliant
- CSFM Approved
- UL and cUL Listed for Class I, Division 2, Groups A, B, C and D; Class II, Division 2, Groups F and G; Class III
- UL Fire Listed

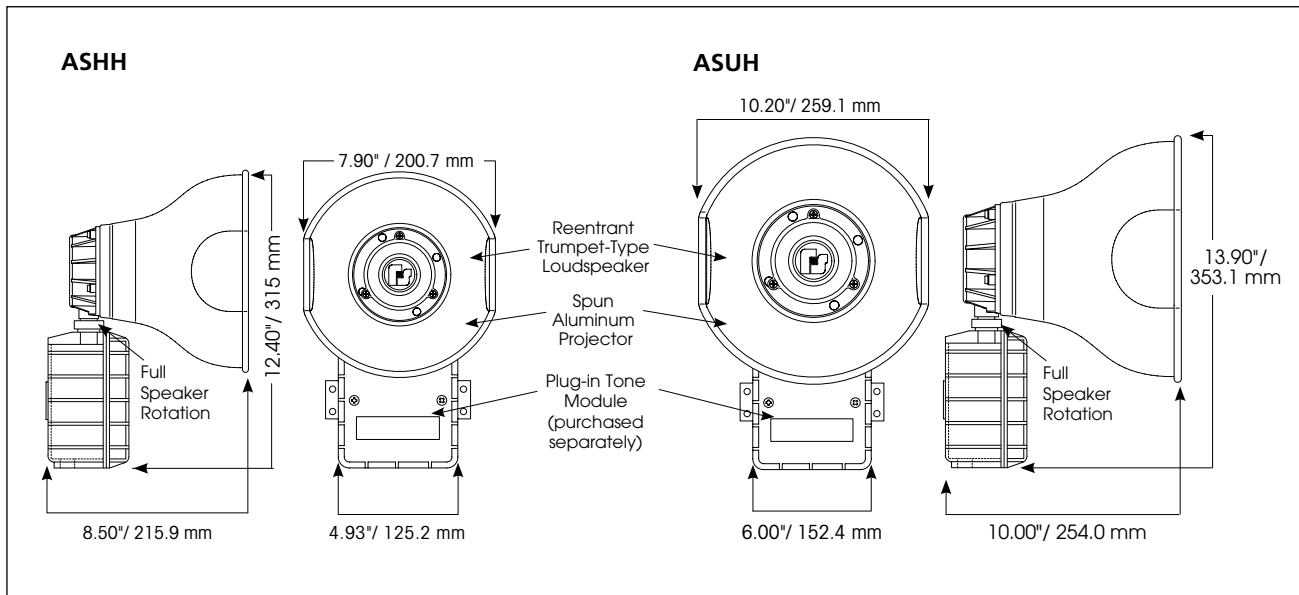
MODEL	WATTS	VOLTAGE	OPERATING CURRENT	STANDBY CURRENT	SPL PER 10'	UL 1480 1 M	SPL ON AXIS 10'	1 M
ASHH-024	15 W	24VDC	0.7 amps	0.15 amps	95 dBa	105 dBa	108 dBa	118 dBa
ASUH-024	30 W	24VDC	1.3 amps	0.15 amps	100 dBa	110 dBa	112 dBa	122 dBa

HAZARDOUS LOCATION RATING: ASHH and ASUH

T-CODE AT MAXIMUM AMBIENT TEMPERATURE, °C

Hazardous Location	ASHH		ASUH	
	40°C	66°C	40°C	66°C
Class I, Division 2, Groups A, B, C, D	T2D	T2C	T3A	T3
Class II, Division 2, Groups F, G	T6	T6	T6	T6
Class III	T6	T6	T6	T6

Hazardous Location Amplified Speakers (ASHH and ASUH)



SPECIFICATIONS

ASHH

Operating Temperature:	-40°F to 150°F	-40°C to 66°C
Net Weight:	4.5 lbs	2.0 kg
Shipping Weight:	5.7 lbs	2.6 kg
Height:	12.40"	315.0 mm
Width:	7.90"	200.7 mm
Depth:	8.50"	215.9 mm

ASUH

Operating Temperature:	-40°F to 150°F	-40°C to 66°C
Net Weight:	6.1 lbs	2.8 kg
Shipping Weight:	7.5 lbs	3.4 kg
Height:	13.90"	353.1 mm
Width:	10.20"	259.1 mm
Depth:	10.00"	254.0 mm

HOW TO ORDER

Specify Model:

ASHH-024 – 15 watt

ASUH-024 – 30 watt

REPLACEMENT PARTS

Description

Part Number

ASHH

Voice Coil Series B	K8593035A
4 Position connector	K140340B

ASUH

Speaker Assembly, Red	K8593103A-01
4 Position connector	K140340B

OPTIONAL ACCESSORIES

Description

Part Number

Universal Tone Module	UTM
-----------------------	-----

Specify Connector Kit for use in systems:

70 Vrms Connector Kit	AM70CK
25 Vrms Connector Kit	AM25CK