



► Model 225XL-N

NSF Certified Series Sanitation Steady/Flashing LED Warning Light

Model 225XL-N is an NSF Certified LED warning light designed to withstand the toughest sanitation environments. Available in 24VAC/DC or self-detecting 120-240VAC, this model comes standard in flashing mode and is field configurable to steady. Model 225XL-N offers an e-coated pipe mount base, inner Fresnel lens, and clear polycarbonate outer dome.

The NSF Certification verifies model 225XL-N is easy to clean and can endure rigorous sanitation procedures, including: most acids, oxidizing/reducing agents, salt solutions, greases, oils, detergents, saturation, aliphatic and cycloaliphatic hydrocarbons and alcohols. In order to maintain the NSF Certification and resist water and debris accumulation, Model 225XL-N must be pipe mounted in the dome up position.

This unit is Type 4X, IP66 rated offering a water- and dust-tight seal and uses a polymeric enclosure with no horizontal flat surfaces, small crevices, and exposed fasteners or threads. The unit is also IP69K compliant to withstand high temperature and pressure washdowns.

Model 225XL-N is ideal in high-ambient and hazardous environments that contain wet, corrosive, and high vibration areas where sanitation is critical.

Common industries that use NSF Certified products include:

- Aerospace
- Automotive
- Chemical
- Consumer Products
- Food and Beverage
- Medical Devices
- Medical Facilities
- Nutritional Products
- Pharma and Biotech
- Plastics
- Water Treatment and Wastewater

NSF Certification is an ANSI-accredited product certification that addresses more than 75 sanitation requirements and protocols for equipment and materials intended for commercial foodservice.

Model 225XL-N is NSF Certified (dome up) for Splash and Non-Food Zones to Standard NSF/ANSI 2: Food Equipment.

FEATURES

- Available in 24VAC/DC or 120-240VAC
- Five lamp/lens colors: Amber, Blue, Clear, Green and Red
- Flashing (60 FPM), field configurable to steady
- 50,000 hour LED
- 1/2-inch NPT pipe mount (dome up)
- Easy to clean and sanitize
- Smooth body and elliptical dome
- No horizontal flat surfaces
- No exposed fasteners or threads
- Fully gasketed and sealed
- Resists water and dust accumulation
- Meets NSF material standards for Splash and Non-Food Zones

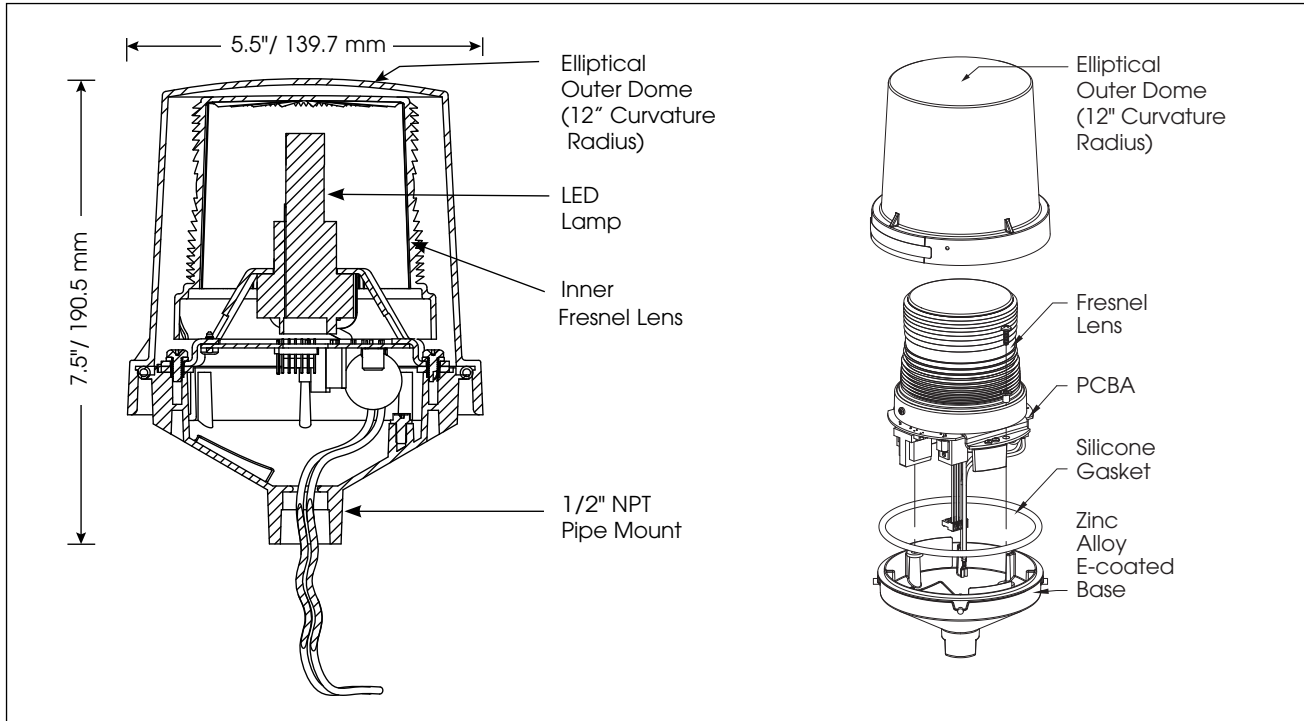
CERTIFICATIONS

- Type 4X, IP66 enclosure
- IP69K compliant
- Marine Listed
- NSF Certified
- UL and cUL Listed for Class I, Division 2, Groups A, B, C and D; Class II, Division 2, Groups F and G; Class III

MODEL	VOLTAGE	OPERATING CURRENT	IN-RUSH CURRENT	FLASH RATE/ MINUTE	LIGHT OUTPUT	MOUNT
225XL-024*-N	24VAC/DC	0.38 A	1.75 A, 5.0 mS	60	238 cd	1/2" NPT Pipe
225XL-120-240*-N	120-240VAC	0.21-0.13 A	2.00 A, 0.25 mS	60	238 cd	1/2" NPT Pipe

* Indicates color: (A) Amber, (B) Blue, (C) Clear, (G) Green or (R) Red

NSF Certified Series
Sanitation Steady/Flashing LED Warning Light (225XL-N)



NSF CERTIFIED ZONES OF EXPOSURE

Zone	Description
Non-Food Zones	Areas that are unexposed to food or splashes but may be subject to minor dirt or debris
Splash Zones	Areas that are exposed to routine soiling from splashes and spills but are not surfaces intended for contact with consumable food

T-CODE AT MAXIMUM AMBIENT TEMPERATURE, °C

Hazardous Location	40°C	55°C	66°C
Class I, Division 2, Groups A, B, C, D	T6	T5	T4A
Class II, Division 2, Groups F, G	T6	T6	T6
Class III	T6	T6	T6

SPECIFICATIONS

Lamp Life:	50,000 Hours	
Light Source:	LED	
Operating Temperature:	-58°F to 150°F	-50°C to 66°C
Net Weight:	3.2 lbs	1.5 kg
Shipping Weight:	4.0 lbs	1.8 kg
Height:	7.5"	190.5 mm
Diameter:	5.5"	139.7 mm

REPLACEMENT PARTS

Description	Part Number
PC Board Assembly, 24VAC/DC	K2005455A
PC Board Assembly, 120/240VAC	K2005416A
LED Lamp, Amber	K14700030A-A
LED Lamp, Blue	K14700030A-B
LED Lamp, Clear	K14700030A-W
LED Lamp, Green	K14700030A-G
LED Lamp, Red	K14700030A-R

HOW TO ORDER

