



► Model 121ALED

Vitalite® Rotating LED Warning Light

Model 121ALED is a compact rotating warning light available in 24VDC, five colors and features a parabolic reflector that rotates around a 360-degree LED, providing 60 revolutions per minute in all directions.

The zinc die-cast alloy base comes ready to surface or 1/2-inch NPT pipe mount. Optional brackets are available to simplify installation on walls or in corners. The twist and lock lens allows for easy access to inspect or replace the lamp.

121ALED is rated Type 4X, IP67 for a water- and dust-tight seal. The unit is also IP69K compliant to withstand high temperature and pressure washdowns. 121ALED is ideal in high-ambient and harsh applications where gaining attention is critical including emergency evacuation, hazardous area markings, overhead cranes, irrigation systems, and conveyor and machine start-ups.

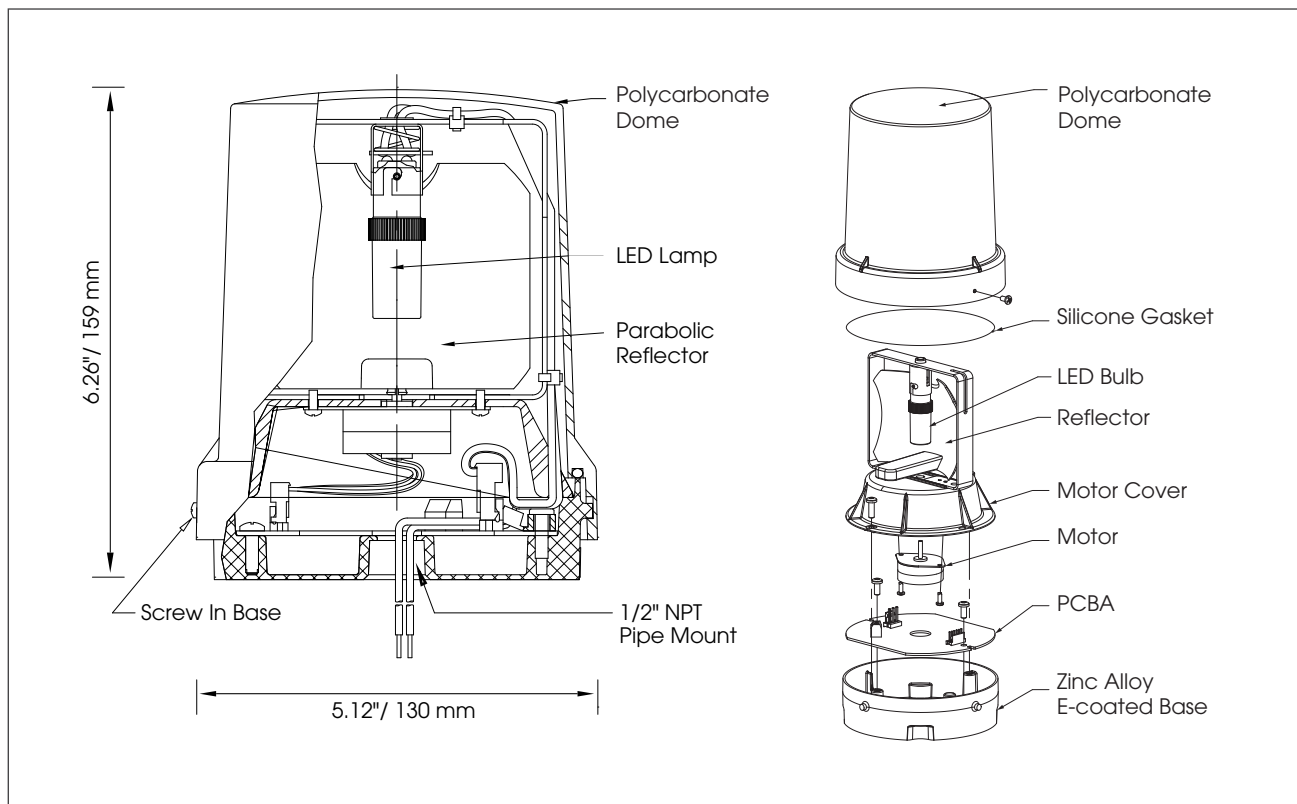
FEATURES

- Available in 24VDC
- 25,000 hour LED
- Integrated 1/2-inch NPT pipe and surface mount
- Indoor/outdoor use
- Type 4X, IP66 enclosure
- IP67, IP69K compliant
- UL and cUL Listed
- NSF Certified

MODEL	VOLTAGE	OPERATING CURRENT	REVOLUTION/ MINUTE	LIGHT OUTPUT	MOUNT
121ALED-024*	24VDC	0.3 A	60	765 cd	1/2" NPT Pipe/Surface

* Indicates color: (A) Amber, (B) Blue, (C) Clear, (G) Green or (R) Red

Vitalite® Rotating LED Warning Light (121ALEDD)



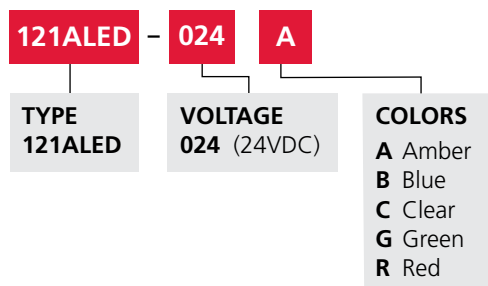
SPECIFICATIONS

Lamp Life:		25,000 Hours
Light Source:		LED Lamp
Operating Temperature:	-40°F to 150°F	-40°C to 66°C
Net Weight:	2.0 lbs	0.91 kg
Shipping Weight:	2.1 lbs	0.95 kg
Height:	6.26 "	159.0 mm
Diameter:	5.12 "	130.0 mm

REPLACEMENT PARTS

Description	Part Number
Lens, Amber	K8444357A-02
Lens, Blue	K8444357A-01
Lens, Clear	K8444357A
Lens, Green	K8444357A-04
Lens, Red	K8444357A-03
LED Lamp	K14702254A

HOW TO ORDER



OPTIONAL ACCESSORIES

Description	Part Number
Wall Mount Bracket, 4X	LSWB
Corner Mount Bracket, 3R	LCMB2*

* LCMB2 is 3R Rated. In combination with a 4X unit, the product defaults to 3R.