



► Models 31X and 41X

## Explosion-Proof Vibrating Horns

Models 31X and 41X explosion-proof vibrating horns are constructed for safe use in hazardous environments. They are enclosed in heavy-duty copper-free cast aluminum housings tapped for 3/4-inch conduit.

Models 31X and 41X are corrosion resistant vibrating horns with stainless steel diaphragms. Model 41X is available in 24VDC. Model 31X is available in 120VAC and 240VAC and features an internal volume control. A five minute duty cycle applies to both models.

### FEATURES

- 31X – 120VAC and 240VAC
- 41X – 24VDC
- Corrosion resistant cast aluminum housings
- Produces 100 dBa @ 10' (110 dBa @ 1m)
- 3/4" pipe or surface mount
- CSA Certified
- UL and cUL Listed for Class I, Division 1, Groups C and D; Class II, Division 1, Groups E, F, and G; Class III

MODEL	VOLTAGE	OPERATING CURRENT	DECIBELS	
			10'	1M
<b>31X-120-3</b>	120VAC 50/60Hz	0.20 amps	100	110
<b>31X-240</b>	240VAC 50/60Hz	0.10 amps	100	110
<b>41X-024-1</b>	24VDC	1.20 amps	100	110

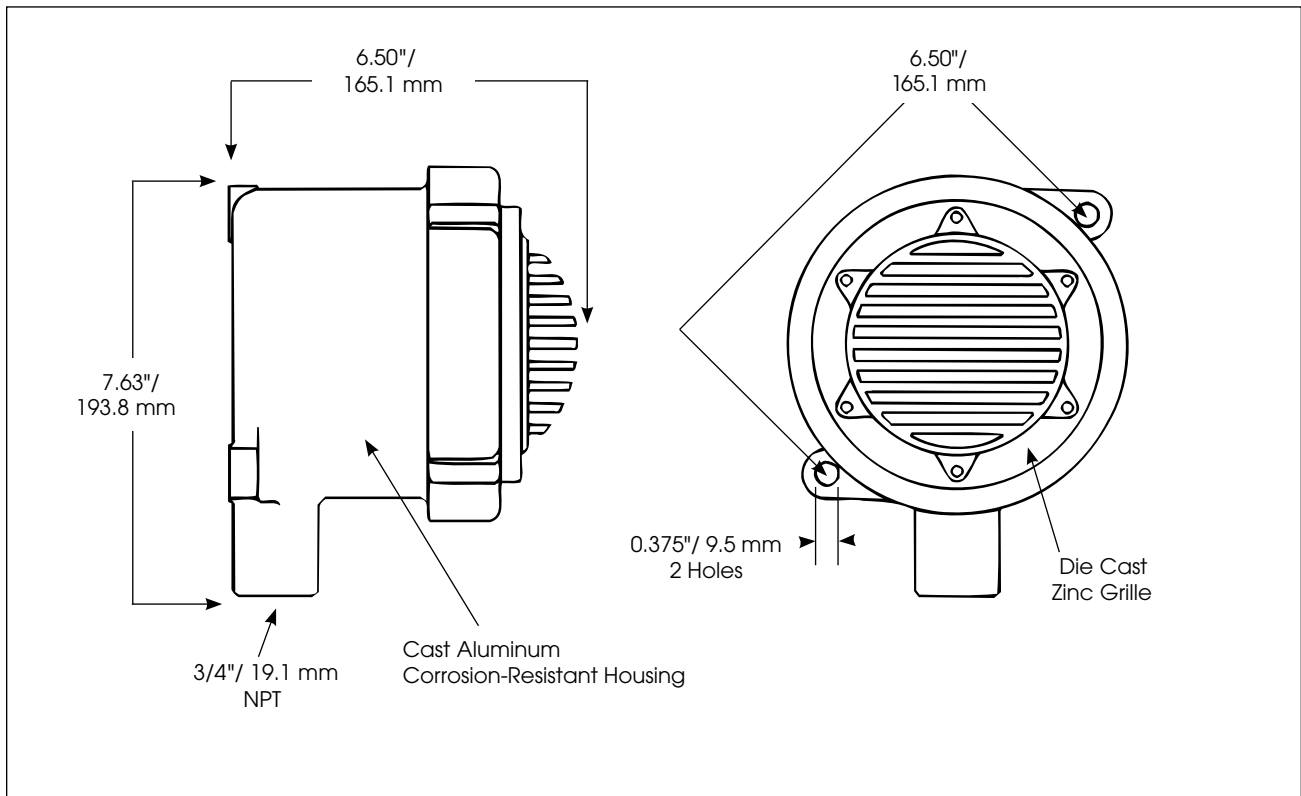
#### HAZARDOUS LOCATION RATING: 31X and 41X

##### T-CODE AT MAXIMUM AMBIENT TEMPERATURE, °C

##### Hazardous Location 40°C

Class I, Division 1, Groups C, D	T6
Class II, Division 1, Groups E, F, G	T6
Class III	T6

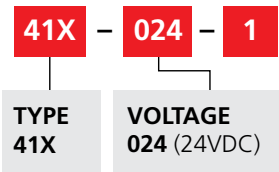
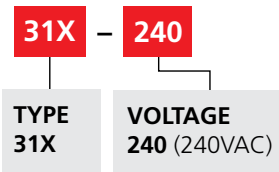
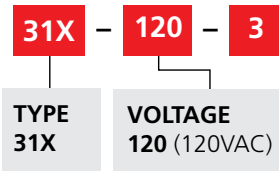
# Explosion-Proof Vibrating Horns (31X and 41X)



## SPECIFICATIONS

Operating Temperature:	-13°F to 104°F	-25°C to 40°C
Duty Cycle:	5 minutes ON/5 minutes OFF	
Net Weight:		
31X	7.5 lbs	3.4 kg
41X	9.0 lbs	4.1 kg
Shipping Weight:		
31X	8.1 lbs	3.7 kg
41X	10.3 lbs	4.7 kg
Height:	7.63"	193.7 mm
Depth:	6.5"	165.1 mm
Diameter:	6.5"	165.1 mm

## HOW TO ORDER



## REPLACEMENT PARTS

Description	Part Number
Cover Grille, Gray	KH6962J-01
Coil 31X, 120VAC	KFC1516C