



FEDERAL SIGNAL
Safety and Security Systems / Industrial
Advancing security and well-being.

Model SSTX3-MV



Installation and Maintenance Manual



FEDERAL SIGNAL

Safety and Security Systems / Industrial

Industrial Systems

2645 Federal Signal Drive

University Park, IL 60484-3167

Phone: 1-877-289-3246 • 1-708-534-4756 • Fax: 1-708-534-4887

www.federal-signal-indust.com • www.fs-isys.com

© 2013 Federal Signal Corp.

INSTALLATION INSTRUCTIONS FOR MODEL SSTX3-MV EXPLOSION-PROOF ELECTRONIC SIREN



Failure to follow all safety precautions and instructions may result in property damage, serious injury, or death to you or others.

SAFETY MESSAGE TO INSTALLERS

People's lives depend on your safe installation of our products. It is important to follow all instructions shipped with the products. This device is to be installed by a trained electrician who is thoroughly familiar with the National Electric Code and will follow the NEC guidelines as well as local codes.

The selection of the mounting location for the device, its controls and routing of the wiring is to be accomplished under the direction of the Facilities Engineer and the Safety Engineer. In addition, listed below are some other important safety instructions and precautions you should follow:

- Read and understand all instructions before installing or operating this equipment.
- This unit must be installed by a qualified electrician in accordance with all National and local Electrical Codes, under the direction of the authority having jurisdiction.
- Do not connect this unit to the system when power is on.
- All effective warning speakers produce loud sounds, which may cause, in certain situations, permanent hearing loss. You should take appropriate precautions such as wearing hearing protection.
- After installation, test the sound system to ensure proper operation.
- All effective warning speakers produce loud sounds, which may cause, in certain situations, permanent hearing loss. The device should be installed far enough away from potential listeners to limit their exposure while still maintaining its effectiveness. The OSHA Code of Federal Regulations 1910.95 Noise Standard provides guidelines, which may be used regarding permissible noise exposure levels.
- Show these instructions to your Safety Engineer and then file them in a safe place and refer to them when maintaining and/or reinstalling the unit.
- Consult the Authority Having Jurisdiction in your area regarding the proper use and installation of this product.

I. GENERAL.

The Model SSTX3-MV is a solid-state signaling device designed for general purpose signaling in hazardous locations. Any one of three distinct signaling tones may be selected by remote dry contacts. This model is suitable for use in areas with high ambient noise levels and can be installed either indoors or outdoors. An adjustable mounting bracket is provided to allow positioning for desired sound coverage.

II. SPECIFICATIONS.

Operating Voltage /Current:	Voltage	Current
	120VAC, 50/60 Hz	210mA
	240VAC, 50/60 Hz	120mA
	24VDC	600mA
Weight (approx.):	16 lbs. (7.3 kg)	
Size:	16.3" (414mm) long, 17.0" (432mm) high, 13.1" (333mm) wide	
Construction:	Aluminum enclosure and adjustable steel mounting bracket with a powder coat finish	
Sound Output [on axis at 10 feet (3m)]:		
• Wail:	108 dB(A)	
• Yelp:	108 dB(A)	
• Horn:	102 dB(A)	
Hazardous Location Ratings:	Class I, Division 1, Groups B, C and D Class I, Division 2, Groups A, B, C and D Class II, Division 2, Groups F and G Class III	
Approval Agency Listings:	Reference product nameplate	

III. INSTALLATION.

A. **Unpacking.**

After unpacking the speaker, examine it carefully for possible damage that may have occurred in transit. If equipment has been damaged, immediately file a claim with the carrier stating the extent of the damage. Carefully check all shipping labels and tags for special instructions before removing or destroying them.

B. **Mounting Arrangements.**

The speaker can be mounted on any relatively flat surface capable of supporting the speaker's weight. Conduit connections can be made to the ½" NPT threaded openings at bottom of the housing.



Property damage, serious injury, or death could occur if an accumulation of water, snow, dust, etc. resides in the speaker projector, severely reducing or preventing operation of this device. Mount the unit so speaker projector is pointed horizontally or slightly downward.

1. Remove the two ½"-13 hex head bolts, flat washers and lock washers that secure the mounting bracket to the unit. Disconnect the lanyard from the mounting bracket at the cotter ring.

2. Select the mounting location.

▲ WARNING

Property damage, serious injury, or death could occur if any objects are in front of speaker, severely reducing optimum sound distribution. For maximum effectiveness, ensure that the front of the speaker is clear of obstructions.

3. Using the mounting bracket as a template, scribe drill position marks on the mounting surface.

▲ CAUTION

Before drilling holes in any surface, be sure both sides of surface are clear of anything that could be damaged.

4. Drill holes at the previously scribed drill position marks to accommodate ½” diameter screws.

5. Secure bracket to mounting surface with ½” diameter screws appropriate for the type of mounting surface material.

▲ WARNING

Property damage, serious injury, or death could occur if the machined sealing surfaces are damaged on this product. To maintain the effectiveness of the explosion-proof enclosure, be careful to avoid damaging the machined sealing surfaces of cover and housing.

6. Reattach unit to its mounting bracket with the two ½”-13 hex head bolts, flat washers and lock washers previously removed. Position speaker so as to obtain desired sound coverage then tighten these bolts securely.

7. Reattach the lanyard to the cotter ring and mounting bracket. Check to verify that it is securely attached to both the cover and the mounting bracket. Loosen and remove the threaded cover by turning it counter-clockwise. Allow the cover to hang by the attached lanyard.

8. Route wires through the ½” NPT threaded openings into the unit in accordance with National and Local Electrical Codes. Wire size depends upon the operating current and the distance from the power source.

9. Before reinstalling the housing cover, read paragraph C, in section III, Power Connections below and make necessary connections.

C. Power Connections.

▲ DANGER

To avoid electrical shock, do not connect wires when circuits are energized.

National Electrical Code, as well as local codes, must be followed during installation of this unit. All electrical wiring must be routed through conduit and fittings approved for explosion-proof installations. Connect power to the unit through a user-supplied on-off switch.



Use only 12 to 18 AWG (2.5 – 1.0mm²) wire for power connection. Strip no more than 0.25 inch (6mm) of wire insulation from the ends of the power leads.

1. 120/240VAC Wiring.

- a. Set the voltage selector switch SW1 to the desired source voltage.
- b. Connect the AC power leads to the 120/240VAC terminals of the four-position connector plug supplied with the unit.
- c. Insert the stripped ends of the wire into the connector as far as they can travel. If stranded wire is used, be sure that there are no loose strands outside the connector plug that could touch the adjacent lead.
- d. Plug the connector into the receptacle provided on the printed circuit board.
- e. Carefully reinstall housing cover and tighten it until the cover flange makes contact with the housing. Tighten the setscrew on the cover to secure the cover. Verify that the mounting bolts have been securely tightened.

2. 24VDC Wiring.

- a. Remove the jumper wire from the connector plug.
- b. Connect the positive source lead to the (+) terminal and the negative source lead to the (-) terminal of the four-position connector plug as shown in figure 2.
- c. Insert the stripped ends of the wire into the connector as far as they can travel. If stranded wire is used, be sure that there are no loose strands outside the connector plug that could touch the adjacent lead.
- d. Plug the connector into the receptacle provided on the printed circuit board.
- e. Carefully reinstall housing cover and tighten it until the cover flange makes contact with the housing. Tighten the setscrew on the cover to secure the cover. Verify that the mounting bolts have been securely tightened.



Do not try to operate the unit by connecting both AC and DC power sources at the same time.

D. ***Tone Activation Wiring.***

To complete the tone activation wiring, proceed as follows:

1. Remote Tone Activation Connection.

Make sure that the power source to the unit is off.

Remote tone activation can be accomplished by wiring a switch to the printed wiring board connector (J4), between the GND and desired tone (WAIL, YELP, HORN) terminal(s). (See figure 2.) The remote switch and wiring method shall comply with all National and Local Electrical Codes.



The remote switch and wiring method need to comply with all National and Local Electrical Codes.

Use an appropriately sized shielded twisted pair of wires. For proper operation of the remote activating circuit, the total loop resistance (resistance of GND wire plus resistance of tone terminal wire plus dry contact resistance) should not exceed 1000 ohms.

Strip no more than 0.25-inch (6mm) of wire insulation from the ends of the leads to connect the remotely located tone activating dry contact terminals between the GND and WAIL, YELP, or HORN terminals of the four-position connector plug supplied with the unit. Make sure the lead insulation is flush with the connector. If stranded wire is used, be sure that there are no loose strands outside the connector plug.

Plug the connector into the receptacle J4 on the printed circuit board.

The selected tone will play when the unit is powered up and remote activation contacts are closed.

By connecting a dry set of contacts to each of the three tones, any single tone can be activated by closing the appropriate contact. When contact closures are applied to all tone terminals simultaneously, the HORN tone will override the other two tones. If contact closures are applied to HORN and any other tone, HORN will override the other tone. If contact closures are applied to both the WAIL and YELP tones, the WAIL tone will override the YELP tone.

2. Wiring for Single Tone Activation at Power-Up

Make sure that the power source to the unit is off.

By connecting a permanent short wire jumper between the GND terminal and desired tone terminal, the unit can be operated by switching the operating power.

Connect a short [1-inch (25mm) long, #22 AWG (0.33mm2)] wire between GND and the desired tone terminal of the four-position connector plug. (See figure 2.)

Plug the connector into the receptacle J4 on the printed circuit board.

Switching ON the operating power will now activate the unit.



Property damage, serious injury, or death could occur if the housing is not closed properly. To reduce possibility of explosion, housing cover must be kept tight while circuits are energized.

SAFETY MESSAGE TO OPERATORS

Even if your warning system is operating properly, it may not be completely effective. People may not hear or heed your warning signal. You must recognize this fact and ensure that your warning signal achieves its intended effect through proper test/training sequences within your specific application(s).

IV. MAINTENANCE.

SAFETY MESSAGE TO MAINTENANCE PERSONNEL

Failure to follow all safety precautions and instructions may result in property damage, serious injury, or death to you or others.

- Read and understand all instructions before performing maintenance on this unit.
- Do not perform maintenance on this unit when circuits are energized.
- Periodic checks should be made to ensure that effectiveness of this device has not been reduced because speaker has become clogged with a foreign substance or because objects have been placed in front of the speaker.
- Any maintenance to this unit **MUST** be performed by a trained electrician in accordance with NEC guidelines and local codes.
- Never alter this unit in any manner. Safety in hazardous locations may be jeopardized if additional openings or alterations are made to this device.
- The nameplates, which contain cautionary or other information of importance to maintenance personnel, should not be obscured if exterior of device is painted.

WARNING

– Explosion Hazard –

Do not disconnect while circuit is live or unless the area is known to be free of ignitable concentrations.

Effectiveness of explosion-proof enclosure must be maintained. Use caution to avoid damaging machined surfaces.

V. SERVICE.

REPLACEMENT PARTS

Description	Part Number
PC Board	K2005110
Connector Plug, 4-Position	K140340
Horn Assembly	K8593100



– Explosion Hazard –

Substitution of components may impair suitability for Class I, Division 2 and Class 1 Zone 2

Unauthorized repair/servicing of the unit may result in degradation of performance and/or property damage, serious injury, or death to you or others. If a malfunctioning unit is encountered, do not attempt any field repair/retrofit of parts.

Federal Signal will service your equipment or provide technical assistance with any problems that cannot be handled locally.

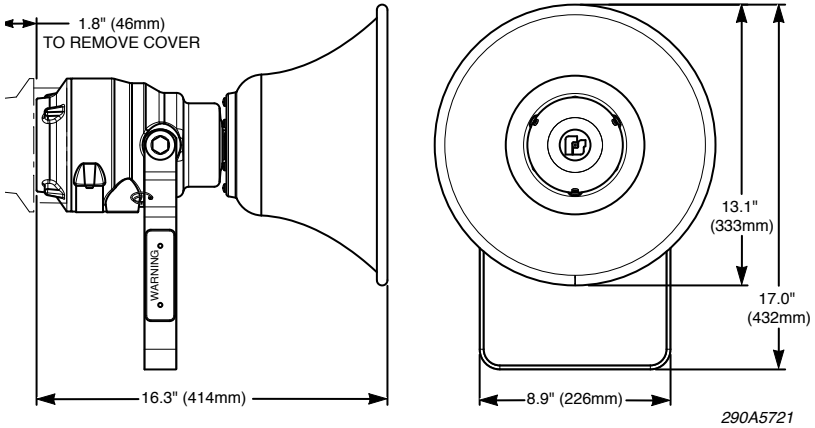
Any units returned to Federal Signal for service, inspection, or repair must be accompanied by a Return Material Authorization. This R.M.A. can be obtained from the local Distributor or Manufacturer's Representative.

At this time a brief explanation of the service requested or the nature of the malfunction should be given.

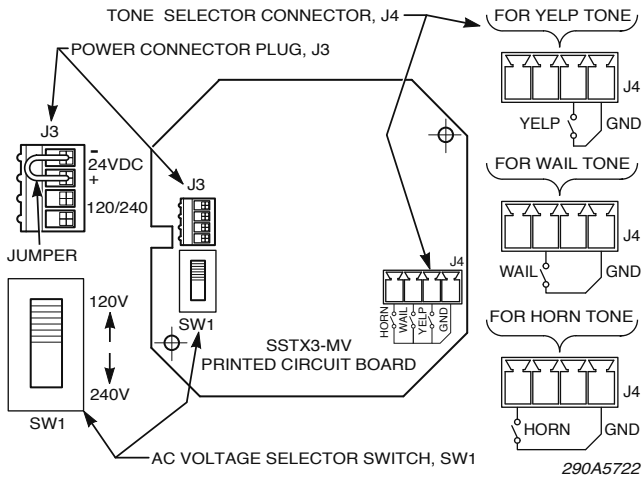
Address all communications and shipments to:

Federal Signal Corporation
Industrial Systems
Service Department
2645 Federal Signal Drive
University Park, IL 60484-3167

1



2



CONSIGNES D'INSTALLATION POUR LA SIRÈNE ÉLECTRONIQUE ANTIDÉFLAGRANTE MODÈLE SSTX3-MV

AVERTISSEMENT

Le non-respect de l'ensemble des mesures et consignes de sécurité peut entraîner des dommages matériels, ou des blessures graves voire mortelles des personnes concernées ou d'autres personnes.

MESSAGE DE SÉCURITÉ DESTINÉ AUX INSTALLATEURS

L'installation de nos produits de manière sécurisée permet d'éviter la mise en danger de vies humaines. Il est important de respecter toutes les consignes jointes aux produits au moment de l'expédition. Cet appareil doit être installé par un électricien qualifié qui maîtrise parfaitement le Code national d'électricité et qui respectera les directives CNE ainsi que les codes locaux.

Le choix du lieu de montage du dispositif, de ses commandes et de l'acheminement des câbles doit être effectué sous la direction de l'ingénieur responsable des installations et de l'ingénieur responsable de la sécurité. Voici par ailleurs une liste complémentaire d'instructions et de précautions de sécurité importantes à respecter :

- Lire et comprendre toutes les instructions avant d'installer ou d'utiliser ce matériel.
- Cet appareil doit être installé par un électricien qualifié conformément à tous les codes d'électricité locaux et nationaux sous la direction de l'autorité ayant juridiction.
- Ne pas connecter cet appareil au système lorsqu'il est sous tension.
- Tous les haut-parleurs d'avertissement efficaces produisent des sons puissants, qui peuvent entraîner, dans certaines situations, une perte permanente de l'ouïe. Il est recommandé de prendre les précautions appropriées, comme l'utilisation d'une protection acoustique.
- Après l'installation, tester le système acoustique pour s'assurer de son bon fonctionnement.
- Tous les haut-parleurs d'avertissement efficaces produisent des sons puissants, qui peuvent entraîner, dans certaines situations, une perte permanente de l'ouïe. Le dispositif doit être installé suffisamment loin des auditeurs potentiels afin de limiter l'exposition de ces derniers, tout en conservant son efficacité. Le Code des réglementations fédérales OSHA 1910.95 relatif à la Norme acoustique fournit des directives qui peuvent être utilisées en ce qui concerne les niveaux permis d'exposition au bruit.
- Montrer ces instructions à l'ingénieur responsable de la sécurité puis les conserver dans un endroit sûr. Consulter ces instructions lors de la maintenance et/ou de la réinstallation du dispositif.
- Consulter l'autorité ayant juridiction dans votre région concernant une utilisation et une installation correctes de ce produit.

I. GÉNÉRALITÉS.

Le modèle SSTX3-MV est un dispositif de signalisation à semi-conducteur conçu pour une signalisation générale dans les zones dangereuses. Il est possible de sélectionner parmi trois tonalités de signalisation distinctes grâce à une commande à distance par contacts secs. Ce modèle convient à une utilisation dans les zones où le niveau de bruit ambiant est élevé, et peut être installé à l'intérieur ou à l'extérieur. Un support de montage réglable est fourni pour permettre un positionnement en fonction de la couverture sonore souhaitée.

II. SPÉCIFICATIONS.

Courant / Tension de fonctionnement :	Tension	Courant
	120 VCA, 50/60 Hz	210 mA
	240 VCA, 50/60 Hz	120 mA
	24 VCC,	600 mA
Poids (approx.) :	7,3 kg(16 lb)	
Taille :	longueur 414 mm (16,3 po.), hauteur 432 mm (17,0 po.), largeur 333 mm (13,1 po.)	
Construction :	Coffret aluminium et support de montage ajustable en acier avec revêtement à texture poudrée	
Volume sonore [dans l'axe à 3 m (10 pi.)] :		
• Plaintive :	108 dB(A)	
• Glapissante :	108 dB(A)	
• Klaxon :	102 dB(A)	
Valeurs zones dangereuses :	Classe I, Division 1, Groupes B, C et D Classe I, Division 2, Groupes A, B, C et D Classe II, Division 2, Groupes F et G Classe III	
Références des organismes d'approbation :	Plaque signalétique du produit de référence	

III. INSTALLATION.

A. **Déballage.**

Après avoir déballé le haut-parleur, vérifier soigneusement s'il a été endommagé lors du transport. Si l'équipement a été endommagé, déposer immédiatement une réclamation auprès du transporteur, déclarant l'étendue des dommages. Examiner soigneusement les consignes particulières figurant sur toutes les étiquettes d'expédition et autres étiquettes avant de les retirer ou de les détruire.

B. **Agencements du montage.**

Le haut-parleur peut être monté sur toute surface relativement plate, capable de supporter le poids du haut-parleur. Les raccordements du conduit peuvent être effectués sur les ouvertures à filetage conique de 12,7 mm (1/2 po.) dans la partie inférieure de l'enceinte.

AVERTISSEMENT

Des dommages matériels et des blessures graves voire mortelles peuvent être occasionnés par l'accumulation d'eau, de neige, de poussière etc. à l'intérieur du cornet du haut-parleur, ce qui peut sérieusement compromettre, voire empêcher, l'utilisation du dispositif. Monter le dispositif de sorte que le cornet du haut-parleur soit positionné à l'horizontale ou légèrement incliné vers le bas.

1. Retirer les deux boulons à six pans de 12,7 mm (1/2 po.) - 13, les rondelles plates et les rondelles de blocage qui sécurisent le support de montage sur le dispositif. Déconnecter le cordon du support de montage au niveau de l'anneau rainuré.

2. Choisir l'emplacement du montage.

AVERTISSEMENT

Des dommages matériels et des blessures graves voire mortelles peuvent être occasionnés par la présence d'objets devant le haut-parleur, ce qui peut sérieusement compromettre une diffusion optimale du son. Pour une efficacité maximale, s'assurer que l'avant du haut-parleur est bien dégagé.

3. À l'aide du support de montage comme gabarit, tracer des marques de repère sur la surface de montage pour le perçage.

ATTENTION

Avant de percer des trous sur toute surface, s'assurer que les deux côtés de la surface sont dégagés et de l'absence d'objet pouvant être endommagé.

4. Percer des trous sur les repères préalablement tracés pour loger des vis de 12,7 mm (1/2 po.) de diamètre.

5. Fixer fermement le support à la surface de montage en utilisant des vis d'un diamètre de 12,7 mm (1/2 po.), adaptées au type de matériau de la surface de montage.

AVERTISSEMENT

Des dommages matériels et des blessures graves voire mortelles peuvent survenir si les surfaces d'étanchéité usinées sont endommagées sur ce produit. Pour conserver l'efficacité du coffret antidéflagrant, veiller à ne pas endommager les surfaces d'étanchéité usinées du couvercle et de l'enceinte.

6. Refixer le dispositif sur son support de montage avec les deux boulons à six pans de 12,7 mm (1/2 po.) - 13, les rondelles plates et les rondelles de blocage préalablement retirés. Positionner le haut-parleur de manière à obtenir la couverture sonore désirée, puis serrer fermement ces boulons.

7. Refixer le cordon sur l'anneau rainuré et le support de montage. Vérifier qu'il est bien fixé à la fois au couvercle et au support de montage. Desserrer puis retirer le couvercle fileté en le tournant dans le sens inverse des aiguilles d'une montre. Laisser suspendre le couvercle par le cordon.

8. Acheminer les fils via les ouvertures à filetage conique de 12,7 mm (1/2 po.) dans l'appareil, conformément aux Codes locaux et nationaux d'électricité. La taille du fil dépend du courant de fonctionnement et de la distance depuis la source d'alimentation.

9. Avant de réinstaller le couvercle de l'enceinte, lire le paragraphe C, section III, Branchements électriques ci-dessous, et réaliser les branchements nécessaires.

C. **Branchements électriques.**



Afin d'éviter les risques de chocs électriques, ne pas brancher de fils tant que les circuits sont sous tension.

Le Code national d'électricité ainsi que les codes locaux doivent être respectés pendant l'installation de cet appareil. Tout le câblage électrique doit être acheminé via un conduit et des raccords homologués pour les installations antidéflagrantes. Mettre l'appareil sous tension via un interrupteur marche-arrêt fourni par l'utilisateur.



N'utiliser qu'un fil de 12 à 18 AWG (2,5 à 1,0 mm²) pour la connexion à l'alimentation. Retirer un maximum de 6 mm (0,25 po.) d'isolant des extrémités des câbles d'alimentation.

1. Câblage 120/240 VCA.

- a. Régler le commutateur de sélection de tension COM1 sur la tension source souhaitée.
- b. Connecter les fils d'alimentation CA aux bornes 120/240 VCA de la fiche de connexion à quatre positions fournie avec l'appareil.
- c. Insérer les extrémités dénudées du fil dans le connecteur aussi loin que possible. Si un fil multibrin est utilisé, s'assurer qu'aucun brin n'est lâche à l'extérieur de la fiche de connexion pour éviter tout contact avec le fil adjacent.
- d. Brancher le connecteur dans le réceptacle disponible sur la plaquette de circuits imprimés.
- e. Réinstaller soigneusement le couvercle de l'enceinte et serrer jusqu'à ce que la bride du couvercle entre en contact avec l'enceinte. Serrer la vis sans tête sur le couvercle pour le sécuriser. Vérifier que les boulons de montage ont été serrés fermement.

2. Câblage 24 VCC.

- a. Retirer le câble cavalier de la fiche de connexion.
- b. Connecter le fil de source positive à la borne (+) et le fil de source négative à la borne (-) de la fiche de connexion à quatre positions comme indiqué sur l'illustration 2.
- c. Insérer les extrémités dénudées du fil dans le connecteur aussi loin que possible. Si un fil multibrin est utilisé, s'assurer qu'aucun brin n'est lâche à l'extérieur de la fiche de connexion pour éviter tout contact avec le fil adjacent.
- d. Brancher le connecteur dans le réceptacle disponible sur la plaquette de circuits imprimés.

e. Réinstaller soigneusement le couvercle de l'enceinte et serrer jusqu'à ce que la bride du couvercle entre en contact avec l'enceinte. Serrer la vis sans tête sur le couvercle pour le sécuriser. Vérifier que les boulons de montage ont été serrés fermement.



Ne pas tenter de faire fonctionner l'appareil en connectant les sources d'alimentation CA et CC en même temps.

D. Câblage pour activation de tonalité.

Pour réaliser le câblage d'activation de la tonalité, procéder comme suit :

1. Raccordement pour activation de la tonalité à distance.

S'assurer que la source d'alimentation de l'appareil est hors tension.

L'activation de la tonalité à distance peut être effectuée en reliant un commutateur au connecteur de la plaquette de circuits imprimés (J4), entre la TERRE et la (les) borne(s) de tonalité souhaitée(s) (PLAINITIVE, GLAPISSANTE, KLAXON). (Voir Illustration 2) Le commutateur à distance et la méthode de câblage doivent être conformes à tous les Codes locaux et nationaux d'électricité.



Le commutateur à distance et la méthode de câblage doivent être conformes à tous les Codes locaux et nationaux d'électricité.

Utiliser une paire de câbles torsadés blindés de la taille appropriée. Pour le bon fonctionnement du circuit d'activation à distance, la résistance de boucle totale (résistance du fil de TERRE plus résistance du fil de borne de tonalité, plus résistance du contact sec) ne doit pas dépasser 1 000 ohms.

Retirer un maximum de 6 mm (0,25 po.) d'isolant des extrémités des fils pour connecter les bornes de contact sec d'activation de la tonalité à distance entre les bornes TERRE et PLAINITIVE, GLAPISSANTE ou KLAXON de la fiche de connexion à quatre positions fournie avec l'appareil. S'assurer que l'isolant du fil affleure le connecteur. Si un fil multibrin est utilisé, s'assurer qu'aucun brin n'est lâche à l'extérieur de la fiche de connexion.

Brancher le connecteur dans le réceptacle J4 sur la plaquette de circuits imprimés.

La tonalité sélectionnée retentira lorsque l'appareil sera mis sous tension et que les contacts d'activation à distance seront fermés.

En connectant un ensemble de contacts secs à chacune des trois tonalités, chaque tonalité peut être activée en fermant le contact approprié. Lorsque les fermetures de contacts sont appliquées à toutes les bornes de tonalité simultanément, la tonalité KLAXON est prioritaire sur les deux autres tonalités. Si des fermetures de contacts sont appliquées à la tonalité KLAXON et à toute autre tonalité, la tonalité KLAXON est prioritaire sur l'autre tonalité. Si des fermetures de contacts sont appliquées à la fois aux tonalités PLAINITIVE et GLAPISSANTE, la tonalité PLAINITIVE est prioritaire sur la tonalité GLAPISSANTE.

2. Câblage pour activation d'une seule tonalité à la mise sous tension

S'assurer que la source d'alimentation de l'appareil est hors tension.

En connectant un cavalier permanent à fil court entre la borne TERRE et la borne de tonalité souhaitée, l'appareil peut fonctionner en commutant la puissance de fonctionnement.

Connecter un fil court [longueur 25 mm (1 pouce), n° 22 AWG (0,33 mm²)] entre la TERRE et la borne de tonalité souhaitée de la fiche de connexion à quatre positions. (Voir Illustration 2).

Brancher le connecteur dans le réceptacle J4 sur la plaquette de circuits imprimés.

La mise en MARCHÉ de la puissance de fonctionnement activera l'appareil.



Des dommages matériels et des blessures graves voire mortelles peuvent survenir si l'enceinte n'est pas fermée de manière appropriée. Pour limiter le risque d'explosion, le couvercle de l'enceinte doit rester serré lorsque les circuits sont mis sous tension.

MESSAGE DE SÉCURITÉ DESTINÉ AUX OPÉRATEURS

Même si votre système de signalisation fonctionne correctement, son efficacité n'est peut-être pas optimale. Les personnes concernées peuvent ne pas entendre ou prêter attention à votre signal d'avertissement. Vous devez en tenir compte et vous assurer que votre signal d'avertissement produise l'effet escompté par le biais de tests/sessions de formation appropriés dans le cadre de votre (vos) application(s) spécifique(s).

IV. ENTRETIEN.

MESSAGE DE SÉCURITÉ DESTINÉ AU PERSONNEL D'ENTRETIEN

Le non-respect de l'ensemble des mesures et consignes de sécurité peut entraîner des dommages matériels, ou des blessures graves voire mortelles des personnes concernées ou d'autres personnes.

- Lire et comprendre toutes les instructions avant de procéder à une opération de maintenance sur cet appareil.
- Ne pas effectuer d'opération de maintenance sur cet appareil lorsque les circuits sont sous tension.
- Des contrôles périodiques doivent être effectués pour vérifier que l'appareil n'a pas perdu de son efficacité du fait d'une obstruction du haut-parleur par des substances étrangères ou de la présence d'objets à l'avant du haut-parleur.
- Tout entretien de cet appareil DOIT être exécuté par un technicien formé conformément aux directives du CNE, ainsi qu'aux codes locaux.
- Ne jamais modifier cet appareil de quelque façon que ce soit. La sécurité dans les zones dangereuses peut être compromise si d'autres ouvertures sont ajoutées ou si d'autres modifications sont apportées à ce dispositif.

- Les plaques signalétiques qui peuvent contenir des informations de mise en garde et autres informations importantes pour le personnel d'entretien ne doivent pas être obscurcies si l'extérieur du dispositif est peint.



– Risque d'explosion –

Ne pas déconnecter lorsque le circuit est sous tension et à moins que la zone ne soit exempte de concentrations inflammables.

L'efficacité de l'enceinte antidéflagrante doit être préservée. Faire preuve de prudence pour éviter d'endommager les surfaces usinées.

V. ENTRETIEN.

PIÈCES DE RECHANGE

Description N° de pièce

Plaquette de circuits imprimés	K2005110A
Fiche de connexion, 4 positions	K140340B
Ensemble klaxon	K8593100A



– Risque d'explosion –

La substitution de composants pourrait réduire la compatibilité avec la classe 1, division 2 et la classe 1, zone 2.

Une réparation ou un dépannage non autorisés de cet appareil pourraient entraîner une dégradation de la performance et/ou des dommages matériels et des blessures graves voire mortelles des personnes concernées ou d'autres personnes. Si un appareil présente un dysfonctionnement, ne pas tenter de réparation sur place ni de remplacer les pièces.

L'usine de Federal Signal Corporation procédera à l'entretien de votre équipement ou vous fournira une assistance technique pour tout problème qui ne peut être résolu sur place.

Tous les appareils retournés à Federal Signal pour entretien, inspection ou réparation doivent être accompagnés d'une autorisation de retour du produit. Vous pouvez obtenir cette autorisation auprès du distributeur local ou d'un représentant du fabricant.

Vous devez aussi fournir une brève explication du service requis ou de la nature du dysfonctionnement lors de la restitution de l'appareil.

Adresse pour les communications et les expéditions :

Federal Signal Corporation
 Industrial Systems
 Service Department
 2645 Federal Signal Drive
 University Park, IL 60484-3167

INSTRUCCIONES DE INSTALACIÓN PARA LA SIRENA ELECTRÓNICA A PRUEBA DE EXPLOSIONES MODELO SSTX3-MV

ADVERTENCIA

Si todas estas precauciones de seguridad e instrucciones no se observan, pueden ocasionarse daños a los bienes, lesiones graves o incluso la muerte a usted o a los demás.

MENSAJE DE SEGURIDAD PARA LOS INSTALADORES

Las vidas de las personas dependen de su instalación segura de nuestros productos. Es importante seguir todas las instrucciones enviadas con los productos. Este dispositivo debe ser instalado por un electricista capacitado completamente familiarizado con el Código Eléctrico Nacional y que siga los lineamientos NEC y todos los códigos locales.

La selección de la ubicación de montaje del dispositivo, sus controles y la colocación del cableado deben realizarse bajo la dirección del ingeniero de la planta y del ingeniero de seguridad. Asimismo, a continuación se incluyen algunas instrucciones y precauciones importantes de seguridad que debe seguir:

- Lea y comprenda todas las instrucciones antes de instalar y poner en funcionamiento este equipo.
- Esta unidad debe ser instalada por un electricista calificado de acuerdo con todos los Códigos Eléctricos Nacionales y los códigos locales, bajo la dirección de la autoridad con jurisdicción.
- No conecte esta unidad al sistema cuando esté encendido.
- Todos los altavoces de advertencia efectiva producen sonidos fuertes que pueden ocasionar, en ciertas situaciones, la pérdida permanente de la audición. Debe tomar las precauciones apropiadas, tales como usar protección auditiva.
- Después de la instalación, pruebe el sistema de sonido asegurarse de que funcione correctamente.
- Todos los altavoces de advertencia efectiva producen sonidos fuertes que pueden ocasionar, en ciertas situaciones, la pérdida permanente de la audición. El dispositivo debe ser instalado a una distancia suficiente de las personas que potencialmente puedan escucharlo para limitar su exposición y al mismo tiempo mantener su efectividad. La Norma sobre Ruidos del Código de Reglamentaciones Federales de la Administración de Seguridad y Salud Ocupacional 1910.95 proporciona lineamientos que pueden usarse con respecto a los niveles permitidos de exposición al ruido.
- Muestre estas instrucciones a su ingeniero de seguridad y luego consérvelas en un lugar seguro y consúltelas al realizar tareas de mantenimiento o al volver a instalar la unidad.
- Consulte con la autoridad con jurisdicción en su área con respecto al uso e instalación adecuados de este producto.

I. ASPECTOS GENERALES.

El Modelo SSTX3-MV es un dispositivo de señalización de estado sólido diseñado para la señalización de propósitos generales en ubicaciones peligrosas. Cualquiera de los tres tonos distintivos de señalización puede seleccionarse por medio de contactos secos remotos. Este modelo es adecuado para usar en áreas con altos niveles de ruido ambiente y puede instalarse en el interior o el exterior. Se incluye un soporte de montaje ajustable a fin de permitir el posicionamiento para la cobertura de sonido deseada.

II. ESPECIFICACIONES.

Voltaje/Corriente de funcionamiento:	Voltaje	Corriente
	120 VCA, 50/60 Hz	210 mA
	240 VCA, 50/60 Hz	120 mA
	24 VCC	600 mA
Peso (aproximado):	16 lb(7,3 kg)	
Tamaño:	414mm (16,3") largo, 432 mm (17,0") alto, 333 mm (13,1") ancho	
Construcción:	Unidad de aluminio y soporte de montaje de acero ajustable con un acabado de recubrimiento en polvo	
Salida de sonido [en el eje a 3 m (10 pies)]:		
• Sirena:	108 dB(A)	
• Tono agudo:	108 dB(A)	
• Bocina:	102 dB(A)	
Clasificación de ubicación peligrosa:	Clase I, División 1, Grupo B, C y D Clase I, División 2, Grupos A, B, C y D Clase II, División 2, Grupos F y G Clase III	
Homologaciones de agencias de aprobación:	Refiérase a la placa de identificación del producto	

III. INSTALACIÓN.

A. **Desembalaje.**

Después de desembalar el altavoz, examínelo cuidadosamente para detectar posibles daños que puedan haber ocurrido durante el tránsito. Si el equipo ha sido dañado, presente un reclamo de inmediato a la compañía de transporte, indicando la medida del daño. Con cuidado, inspeccione todas las etiquetas de envío y los rótulos para ver las instrucciones especiales antes de retirarlas o destruirlas.

B. **Arreglos de montaje.**

El altavoz puede montarse en cualquier superficie relativamente plana capaz de soportar el peso del altavoz. Las conexiones de conducto pueden hacerse en las aberturas roscadas NPT de ½" en la parte inferior de la carcasa.

ADVERTENCIA

Podrían ocurrir daños a los bienes, lesiones serias o la muerte si se produce una acumulación de agua, nieve, polvo, etc., en el proyector del altavoz, reduciendo gravemente o impidiendo el funcionamiento de este dispositivo. Monte la unidad de forma tal que el proyector del altavoz señale horizontalmente o levemente hacia abajo.

1. Retire los dos pernos de cabeza hexagonal de ½"-13, arandelas planas y arandelas de bloqueo que sujetan el soporte de montaje a la unidad. Desconecte la correa del soporte de montaje en el pasador circular.
2. Seleccione la ubicación de montaje.

ADVERTENCIA

Podrían ocurrir daños a los bienes, lesiones serias o la muerte si hay objetos delante del altavoz que reduzcan gravemente la distribución óptima del sonido. Para una máxima efectividad, asegúrese de que la parte delantera del altavoz no tenga obstrucciones.

3. Usando el soporte de montaje como plantilla, dibuje las marcas de posición de perforación en la superficie de montaje.

PRECAUCIÓN

Antes de perforar orificios en la superficie, asegúrese de que ambos lados de la superficie no tengan elementos que puedan dañarse.

4. Perfore orificios en las marcas de posición dibujadas previamente para ajustar los tornillos de ½" de diámetro.
5. Sujete la superficie de montaje con tornillos de diámetro de ½" apropiados para el tipo de material de superficie de montaje.

ADVERTENCIA

Podrían producirse daños a los bienes, lesiones graves o la muerte si las superficies de sellado maquinadas están dañadas en este producto. Para mantener la efectividad de la unidad a prueba de explosiones, tenga cuidado de evitar dañar las superficies de sellado maquinadas de la cubierta y de la carcasa.

6. Vuelva a colocar la unidad en su soporte de montaje con los dos pernos de cabeza hexagonal de ½"-13, las arandelas planas y las arandelas de bloqueo retirados anteriormente. Coloque el altavoz para obtener la cobertura deseada de sonido, luego ajuste estos pernos firmemente.
7. Vuelva a colocar la correa al pasador circular y al soporte de montaje. Compruebe para verificar que esté firmemente sujeta a la cubierta y al soporte de montaje. Afloje y retire la cubierta roscada girándola en sentido antihorario. Permita que la cubierta cuelgue de la correa sujeta.

8. Coloque los cables por las aberturas roscadas NPT de ½" en la unidad de acuerdo con el Código Eléctrico Nacional y Local. El tamaño del cable depende de la corriente eléctrica de funcionamiento y la distancia desde la fuente de alimentación.

9. Antes de volver a instalar la cubierta de la carcasa, lea el párrafo C, en la sección III, Conexiones de corriente eléctrica, a continuación y realice las conexiones necesarias.

C. Conexiones de corriente eléctrica.



Para evitar una descarga eléctrica, no conecte los cables cuando los circuitos estén energizados.

Debe observarse el Código Eléctrico Nacional, así como los códigos locales, durante la instalación de esta unidad. Todos los cables eléctricos deben tenderse por conductos y accesorios aprobados para instalaciones a prueba de explosiones. Conecte la corriente a la unidad a través de un interruptor de encendido-apagado provisto por el usuario.



Use solo cables de 12 a 18 AWG (2,5–1,0 mm²) para la conexión de corriente. Pele no más de 6 mm (0,25 pulgadas) de aislamiento de los extremos de los cables de corriente.

1. Cableado de 120/240 VCA.

a. Configure el interruptor selector de voltaje SW1 al voltaje de origen deseado.

b. Conecte los cables de corriente eléctrica CA a los terminales de 120/240 VCA del enchufe del conector de cuatro posiciones provisto con la unidad.

c. Inserte los extremos pelados del cable en el conector tanto como sea posible. Si se usa cable trenzado, asegúrese de que no haya cables trenzados sueltos fuera del enchufe del conector que puedan tocar el cable adyacente.

d. Enchufe el conector en el receptáculo provisto en el circuito impreso.

e. Vuelva a instalar cuidadosamente la cubierta de la carcasa y ajuste hasta que le brida de la cubierta entre en contacto con la carcasa. Ajuste el tornillo de fijación en la cubierta para sujetar la cubierta. Verifique que los pernos de montaje se sujeten firmemente.

2. Cableado de 24 VCC.

a. Retire el cable de puente del enchufe del conector.

b. Conecte el cable de fuente positiva al terminal (+) y el cable de fuente negativa al terminal (-) del enchufe conector de cuatro posiciones como se muestra en la figura 2.

c. Inserte los extremos pelados del cable en el conector tanto como sea posible. Si se usa cable trenzado, asegúrese de que no haya cables trenzados sueltos fuera del enchufe del conector que puedan tocar el cable adyacente.

d. Enchufe el conector en el receptáculo provisto en el circuito impreso.

e. Vuelva a instalar cuidadosamente la cubierta de la carcasa y ajuste hasta que le brida de la cubierta entre en contacto con la carcasa. Ajuste el tornillo de fijación en la cubierta para sujetar la cubierta. Verifique que los pernos de montaje se sujeten firmemente.

PRECAUCIÓN

No intente operar la unidad conectando las fuentes de alimentación CA y CC al mismo tiempo.

D. **Cableado de activación de tono.**

Para completar el cableado de activación de tono, proceda de la siguiente forma:

1. Conexión de la activación de tono remoto.

Asegúrese de que la fuente de alimentación de la unidad esté apagada.

La activación de tono remoto puede lograrse al cablear un interruptor al conector del circuito impreso (J4), entre GND [tierra] y los terminales del tono deseado (SIRENA, TONO AGUDO, BOCINA). (Vea la figura 2). El interruptor remoto y el método de cableado deberán cumplir con el Código Eléctrico Nacional y los códigos locales.

PRECAUCIÓN

El interruptor remoto y el método de cableado deberán cumplir con el Código Eléctrico Nacional y los códigos locales.

Use par de cable trenzado blindado del tamaño apropiado. Para una operación apropiada del circuito de activación remota, la resistencia total del bucle (resistencia del cable de tierra más la resistencia del cable del terminal de tono más la resistencia de contacto seco) no debe exceder los 1000 ohmios.

Pele no más de 6 mm (0,25 pulgadas) de aislamiento de cable de los extremos de los cables para conectar los terminales de los contactos secos de activación de tono de ubicación remota entre los terminales GND [TIERRA] y WAIL [SIRENA], YELP [TONO AGUDO] o HORN [BOCINA] del enchufe del conector de cuatro posiciones provisto con la unidad. Asegúrese de que el aislamiento del cable esté a nivel con el conector. Si se usa cable trenzado, asegúrese de que no haya cables trenzados sueltos fuera del enchufe del conector.

Enchufe el conector en el receptáculo J4 en el circuito impreso.

El tono seleccionado se reproducirá cuando se encienda la unidad y se cierren los contactos de activación remota.

Al conectar un conjunto de contactos secos a cada uno de los tres tonos, cualquier tono único puede activarse cerrando el contacto apropiado. Cuando se aplican los cierres de contactos a todos los terminales de tono simultáneamente, el tono de BOCINA cancelará los otros dos tonos. Si se aplican cierres de contacto a la BOCINA y a cualquier otro tono, la BOCINA cancelará el otro tono. Si se aplican cierres de contacto a los tonos de SIRENA y TONO AGUDO, el tono de SIRENA cancelará el TONO AGUDO.

2. Cableado para activación de un tono en el encendido

Asegúrese de que la fuente de alimentación de la unidad esté apagada.

Al conectar un puente de cables corto permanente entre el terminal de tierra y el terminal de tono deseado, la unidad puede operarse conmutando la corriente eléctrica de funcionamiento.

Conecte un cable corto [25 mm (1 pulgada) de largo, N.º 22 AWG (0.33 mm²)] entre la tierra y el terminal de tono deseado del enchufe del conector de cuatro posiciones. (Vea la figura 2).

Enchufe el conector en el receptáculo J4 en el circuito impreso.

Al encender la corriente eléctrica de funcionamiento se activará la unidad.

ADVERTENCIA

Podrían producirse daños a los bienes, lesiones graves o la muerte si la carcasa no se cierra correctamente. Para reducir la posibilidad de explosión, la cubierta de la carcasa debe mantenerse ajustada mientras los circuitos estén energizados.

MENSAJE DE SEGURIDAD A LOS OPERADORES

Aunque su sistema de advertencia funcione correctamente, es posible que no sea completamente efectivo. Las personas pueden no escuchar o no notar su señal de advertencia. Debe reconocer este hecho y asegurarse de que su señal de advertencia logre su efecto deseado a través de secuencias adecuadas de pruebas/capacitación dentro de su(s) aplicación (aplicaciones) específica(s).

IV. MANTENIMIENTO.

MENSAJE DE SEGURIDAD AL PERSONAL DE MANTENIMIENTO

Si todas estas precauciones de seguridad e instrucciones no se observan, pueden ocasionarse daños a los bienes, lesiones graves o incluso la muerte a usted o a los demás.

- Lea y comprenda todas las instrucciones antes de realizar tareas de mantenimiento en esta unidad.
- No realice tareas de mantenimiento en esta unidad cuando los circuitos están energizados.
- Deben realizarse comprobaciones periódicas para asegurar que la efectividad de este dispositivo no se haya visto reducida debido a una obstrucción en el altavoz con una sustancia extraña o porque se hayan colocado objetos delante del altavoz.
- Todo mantenimiento de esta unidad DEBE ser realizado por un electricista capacitado de acuerdo con los lineamientos NEC y con los códigos locales.
- No altere nunca esta unidad de ninguna forma. La seguridad en ubicaciones peligrosas puede verse reducida si se realizan aberturas adicionales o alteraciones a este dispositivo.

- La placa de identificación, que puede contener información de precaución u otra información de importancia para el personal de mantenimiento, no debe quedar oculta si se pinta el exterior del dispositivo.



– Riesgo de explosión –

No desconectar mientras el circuito esté vivo o a menos que se conozca que el área está libre de concentraciones inflamables.

Debe mantenerse la efectividad de la unidad a prueba de explosiones. Use la precaución para evitar dañar las superficies maquinadas.

V. SERVICIO.

PIEZAS DE REEMPLAZO

Descripción Número de pieza

Circuito impreso	K2005110
Enchufe conector, 4 posiciones	K140340
Unidad de la bocina	K8593100



– Riesgo de explosión –

El reemplazo de componentes puede perjudicar la idoneidad para Clase I, División 2 y Clase 1, Zona 2

La reparación/el servicio no autorizado de la unidad puede resultar en la degradación del rendimiento y/o en daños a los bienes, lesiones graves o muerte para usted u otras personas. Si se produce una falla de la unidad, no intente reparaciones en el campo/remodelación de las piezas.

Federal Signal realizará las tareas de servicio de sus equipos o proporcionará asistencia técnica con los problemas que no se puedan manejar a nivel local.

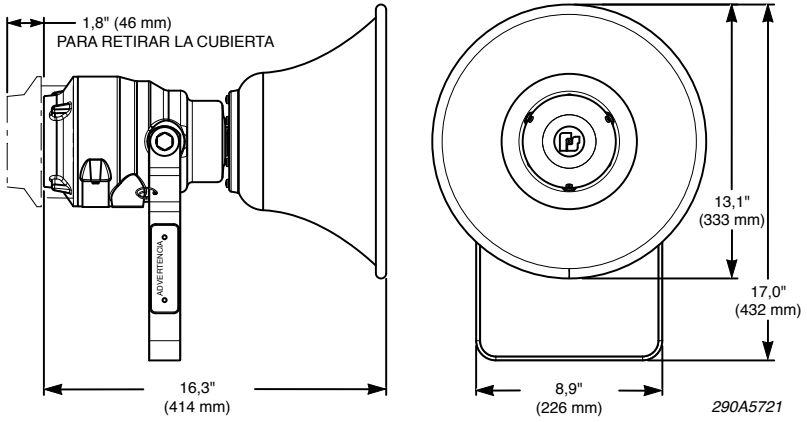
Las unidades devueltas a Federal Signal para servicio, inspección o reparación deben acompañarse de una Autorización de devolución de material. Esta autorización de devolución de material puede obtenerse de un distribuidor local o de un representante del fabricante.

En este momento, debe proporcionarse una breve explicación del servicio solicitado o de la naturaleza de la falla.

Dirija las comunicaciones y envíos a:

Federal Signal Corporation
 Industrial Systems
 Departamento de Servicio
 2645 Federal Signal Drive
 University Park, IL 60484-3167

1



2

