

LED Explosion-proof Light EP-02-G22



Better solutions for LED Explosion-proof Light

IP66 water-proof
 AC120-277V 50/60Hz
Easy Installation
 140lm/W
Operating Temp.: -40°C ~+50°C
 Storage Temp.: -40°C ~+80°C

Options

| Driver | Housing Color | CCT |
|--------------|---------------|----------------------------------|
| Sosen Driver | Yellow | 3000K 4000K 5000K 5700K |

CLASSIFICATIONS & RATINGS

- Class I , Division 2 , Groups A , B , C , D
- Class II , Division 2 , Groups E , F , G
- Class III , Division 2
- Zone 2,Group IIC
- Zone 22,Group IIIC

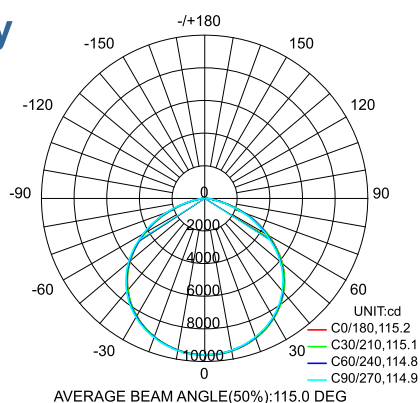
Application

The Explosion Proof Light can be widely used in Refineries,Fuel depots,Marine vessels,Chemical production processing,Food processing,Wineries, and otherhigh humidity,high temperature dusty places.

Specifications

| Item | Power | Effi. | Leds | CRI | Weight |
|---------------|-------|---------|----------|-----|-----------------|
| EP30W-02-G22 | 30W | 140lm/W | SMD 3030 | >80 | 3.50kg(7.70lbs) |
| EP50W-02-G22 | 50W | 140lm/W | SMD 3030 | >80 | 3.50kg(7.70lbs) |
| EP80W-02-G22 | 80W | 140lm/W | SMD 3030 | >80 | 3.50kg(7.70lbs) |
| EP100W-02-G22 | 100W | 140lm/W | SMD 3030 | >80 | 7.30kg(16.1lbs) |
| EP120W-02-G22 | 120W | 140lm/W | SMD 3030 | >80 | 7.30kg(16.1lbs) |
| EP150W-02-G22 | 150W | 140lm/W | SMD 3030 | >80 | 7.30kg(16.1lbs) |
| EP180W-02-G22 | 180W | 140lm/W | SMD 3030 | >80 | 7.30kg(16.1lbs) |
| EP200W-02-G22 | 200W | 140lm/W | SMD 3030 | >80 | 7.30kg(16.1lbs) |
| EP300W-02-G22 | 300W | 140lm/W | SMD 3030 | >80 | 20.0kg(44.1lbs) |
| EP400W-02-G22 | 400W | 140lm/W | SMD 3030 | >80 | 20.0kg(44.1lbs) |
| EP600W-02-G22 | 600W | 140lm/W | SMD 3030 | >80 | 36.0kg(79.4lbs) |
| EP800W-02-G22 | 800W | 140lm/W | SMD 3030 | >80 | 36.0kg(79.4lbs) |

Photometry



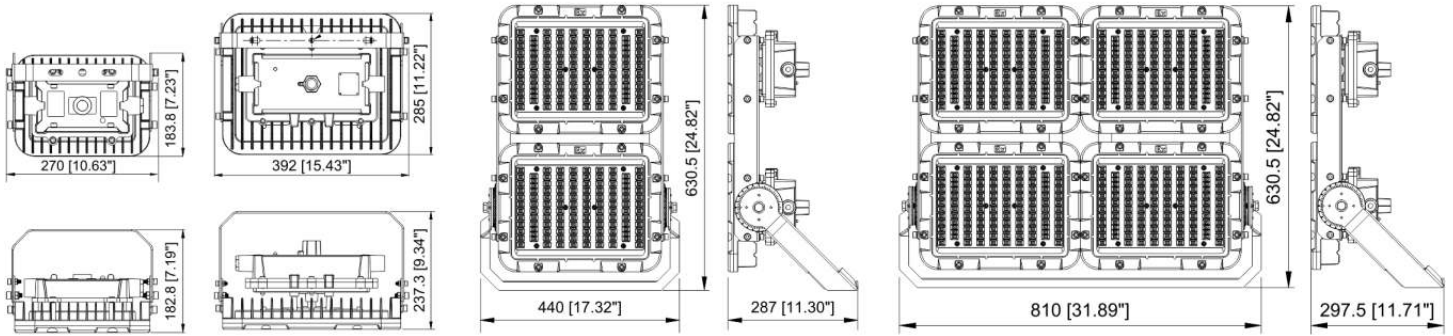
120°

120°



EP-02-G22 LED Explosion-proof Light

Dimensions(mm)



30W-80W

100W-200W

300W/400W

600W/800W

Model Options



30W-80W

100W-200W

300W/400W

600W/800W

Installation and use

1

| Power | L1 | D1 |
|-------|-------|------|
| 80W | 95mm | 12mm |
| 200W | 229mm | 12mm |

(Optional)

2

3

Brown(Black) --- L
Blue(White) --- N
Green/Yellow --- GND

01

| Power | L | d1 | d2 | d3 | d4 | d5 | a1 |
|-------|-------|------|------|------|------|------|-----|
| 400W | 220mm | 40mm | 35mm | 13mm | 17mm | 13mm | 60° |
| 800W | 430mm | 80mm | 40mm | 17mm | 17mm | 17mm | 60° |

02

2PCS (Optional)

03

04

Brown(Black) --- L
Blue(White) --- N
Green/Yellow --- GND

Packing Spec

| Item | Box | | | Carton | | |
|--------------------|-----------------|----------------|---------|-----------------|----------------|---------|
| | Measurement(mm) | Gross weight | Pcs/box | Measurement(mm) | Gross weight | Pcs/box |
| EP30W-80W-02-G22 | L305*W225*H145 | 3.8kg(8.40lbs) | 1 | L320*W470*H310 | 8.0kg(17.7lbs) | 1 |
| EP100W-200W-02-G22 | L440*W340*H235 | 8.0kg(17.7lbs) | 1 | / | / | / |