



E2xS1F

Alarm Horn Sounder



- Automatic synchronization on multi-sounder system.
- Continuously rated.
- Large termination area.
- Stainless steel fixings.
- Ratchet adjustable stainless steel 'U' bracket for 360° positioning.
- Duplicate cable terminations (in & out for daisy-chain installations)

Tomar Electronics hazardous area E2xS1F alarm horn sounder is UL/cULs approved for Class I Div 2 and Class II Div 2 as well as IECEx and ATEX certified for Zone 2 and 22 applications.

With a nominal sound level output of 116dB(A) at 1 meter and a choice of 45 alarm tones and 3 remotely selectable stages the E2xS1F alarm sounder horn is suitable for all general signaling duties. The E2x range features enclosures manufactured from lightweight, corrosion proof PPS and high impact, fire retardant ABS re-entrant flare horns; both of which are suitable for the harshest of environments.

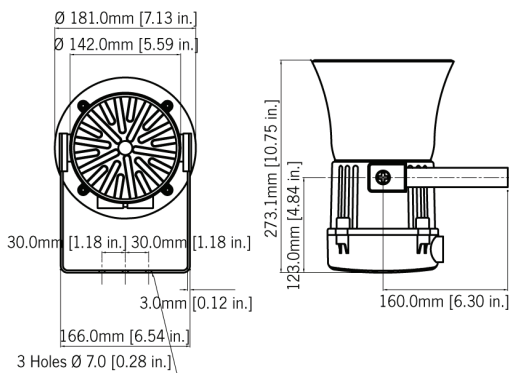
Approvals

- ATEX certificate: DEMKO 06 ATEX 0421554X
- IECEx certificate: IECEx ULD 14.0012X
- UL/cUL File ref: E230764
- Safety-integrity level: SIL1

Coding

- IECEx / ATEX:
 - II 3G Ex nA IIC T4 Gc Ta -20°C to +55°C
 - II 3D Ex tc IIIC T85°C Dc Ta -20°C to +55°C
- NEC Class / Zone ratings US:
 - Class I Zone 2 AEx nA IIC T4 Gc Ta -20°C to +55°C
 - Zone 22 AEx tc IIIC T85°C Dc Ta -20°C to +55°C
- CEC Class / Zone ratings Canada
 - Ex nA IIC T2 Gc Ta -20°C to +55°C
 - Ex tc IIIC 85°C Dc Ta -20°C to +55°C
- NEC & CEC Class / Division Ratings for US / Canada
 - Class I, Div 2, ABCD T3C Ta -20°C to +55°C
 - Class I, Div 2, ABCD T4 Ta -20°C to +40°C
 - Class II, Div 2, FG T6 Ta -20°C to +55°C
 - Class II, Div 2, FG T6 Ta -20°C to +55°C





Specifications

Item	Description
Maximum output	116dB (A) @ 1 meter [107dB (A) @ 10ft/3m]
Nominal output	113dB (A) @ 1m +/- 3dB - Tone 2 [104dB (A) @ 10ft/3m]
No. of tones	45 (UKOOA/PFEER compliant)
No. of stages	3
Volume control	Max. 113dB (A); Min. 105dB (A) - Tone 2
Effective range	100m/328ft @ 1 KHz
Voltages DC	24Vdc (10-30Vdc); 48Vdc
Voltages AC	115Vac; 230Vac
Ingress protection	IP rating per EN60079-0:IP64 IP rating per EN60529:IP66 Type rating per UL50E/NEMA250:4/4X/13
Enclosure material	UL94V0 PPS & ABS
Cable entries	2 x 1/2" NPT, Nylon stopping plugs
Terminals	0.5 - 2.5mm ² (20-14 AWG)
Line monitoring	Blocking diode included EOL can be factory fitted
Operating Temp	-20 to +55°C [-4° to +131°F]
Storage Temp	-40 to +70°C [-40° to +158°F]
Relative humidity	90% at 20°C [68°F]
Weight	DC: 2.5kg/5.5lbs AC: 3.00kg/6.6lbs

*SPL data +/-3dB (A). Measured at optimum voltage

Ordering Information

Model	Operating Voltage	Current
E2xS1F-024	10-30 VDC	284mA
E2xS1F-115	+/-10% 50/60Hz	104mA
E2xS1F-230	+/-10% 50/60Hz	54mA

2 x 1/2" NPT, Nylon stopping plugs, 304 (A2) stainless steel bracket

45 onboard selectable tones:

Please visit our web site for full description and sound files

E2xS1F

Alarm Horn Sounder