

# HAZARDOUS LOCATION SERIES HL48LV NEMA 4/4X AIR CONDITIONERS



Model	NEMA Rating	UL/CUL Listed or Recognized	BTU/H Capacity	95/95 Rating BTU/H	Ambient Temp.				Volts	Hz	* Running Amps 125°F/125°F	Pressurized Compartment Volume cu. ft.	Air Leakage @ 0.25 i.w.g. Pressure CFM	Approx. Weight	
					°F		°C							Lbs.	Kg.
					Max.	Min.	Max.	Min.							
KA6C9HL48LV	4/4X	Listed	9000	8000	125	-20	52	-29	115	60	18.0	3.0	0.1	122	56
K2A6C9HL48LV	4/4X	Listed	9000	8000	125	-20	52	-29	208/230	60	10.0/9.0	3.0	0.1	122	56
K2A6C9HL48LV	4/4X	Listed	9000	8000	125	-20	52	-29	230	50	9.0	3.0	0.1	122	56

Rating is shown for operation at maximum ambient temperature.

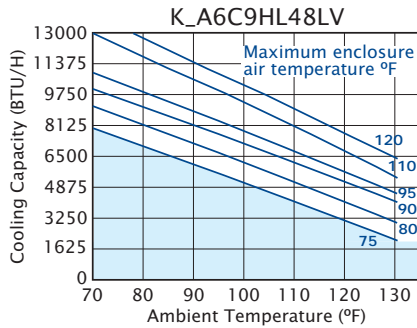


**NEMA TYPE 12, 3R AND 4/4X MAINTAINED**



U.S. Patent No. 9,157,670 B2

## PERFORMANCE



Operation within shaded area not recommended.

## STANDARD FEATURES

All models UL Listed per UL 484, Special Purpose Air Conditioners

All models UL Recognized per NFPA 496: 2013, Purged and Pressurized Enclosures for Electrical Equipment Meets NEC Class I Division 1, Groups A, B, C & D and Class I, Zone 1, Groups IIA, IIB plus hydrogen and IIC Hazardous Locations when used with an approved Type X Purge System on the electrical enclosure

Meets NEC Class I Division 2, Groups A, B, C & D and Class I, Zone 2, Groups IIA, IIB plus hydrogen and IIC Hazardous Locations when used with an approved Type Z Purge System on the electrical enclosure

Temperature Classification is T-4, 275°F/135°C

Maintains NEMA Type 12, 3R & 4/4X Ratings per UL 50, Cabinets and Boxes

Closed-Loop Cooling

Compressor Short Cycle Protector

Filter

Interior and Exterior Purge Connections

Internal Corrosion Protection

Painted Condenser and Evaporator Coils

Pressure Compensation Terminal Block

Programmable Temperature Alarm

Programmable Thermostat

Shock and Vibration Resistance

Stainless Steel Shell

Zero ODP Refrigerant

## ACCESSORIES AND OPTIONS

Enclosure Heater

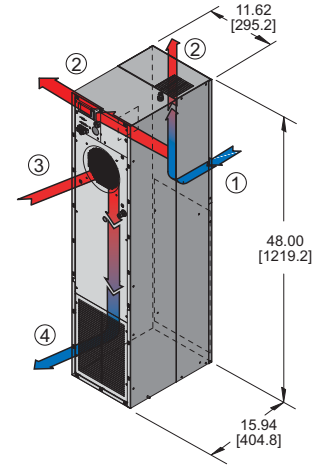
Filter Recoating Adhesive

Lead-Lag Controller

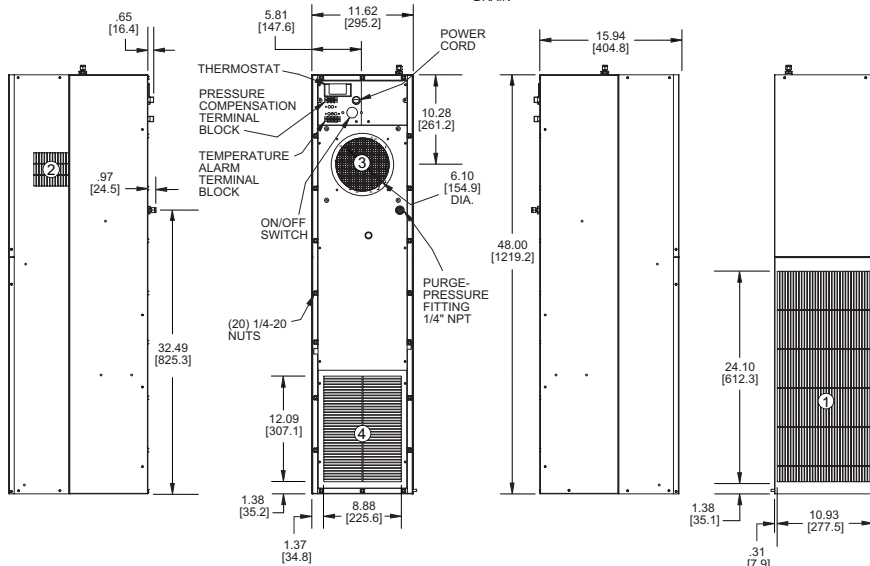
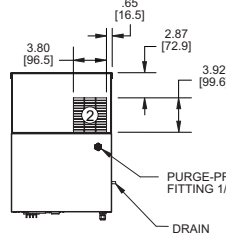
Remote Monitoring

Remote Thermostat Relay

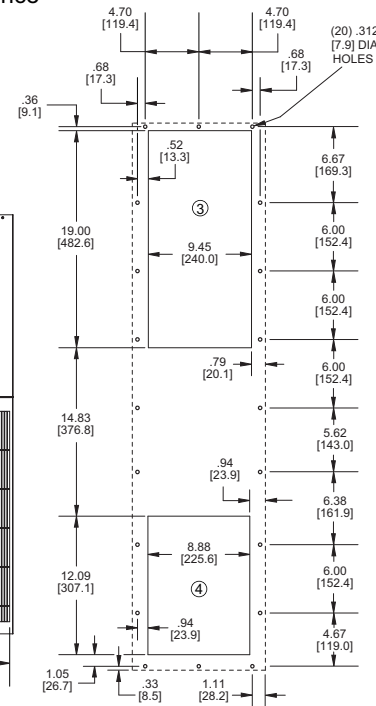
Replacement Filter



- ① CONDENSER AIR INLET (Ambient Air In)
- ② CONDENSER AIR OUTLET (Warm Ambient Air Out)
- ③ WARM AIR RETURN FROM ENCLOSURE
- ④ COOL AIR OUTLET TO ENCLOSURE



## MOUNTING PLAN



Find additional information on this model at [kooltronic.com](http://kooltronic.com), or use the Technical Documents QR code below.

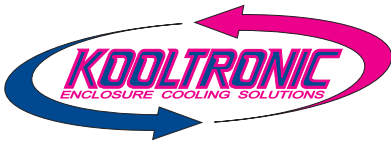


Technical Documents

Many popular units are available as 3D solid models for customer system integration. Please contact Kooltronic for details.

Dimensions, inches [mm], are for reference only and are subject to change.

hl48lv.qxd (7/26/19) (CDR: 20179)



## HAZARDOUS LOCATION SERIES HL48LV NEMA 4/4X AIR CONDITIONERS

### DESCRIPTION

---

Robust engineering, industrial-grade construction and UL Listing are the reasons that the Kooltronic **Hazardous Location Series** Air Conditioners provide the durability and safety required by hazardous location applications.

Kooltronic **Hazardous Location Series** Air Conditioners are ideal for:

- Offshore oil rigs, onshore oil company offices and refineries
- Petrochemical sites and propane fill-up stations
- Paint and varnish storage or processing plants
- Grain alcohol processors or storage sites
- Munitions plants or armories
- PVC or plastics plants and processing plants
- Recycling plants
- Furniture refinishing/stripping workshops
- Fertilizer plants
- Hazardous materials storage



### FEATURES AND BENEFITS (STANDARD)

---

All models UL/CUL Listed and Recognized, a standard of safety.

CFC-free refrigerant provides a zero ozone depletion potential.

Closed-loop cooling provides stable temperature control while excluding dust and humidity from the electrical enclosure.

Compressor short cycle protector extends compressor life.

Condenser filtration to maintain peak thermal performance extends compressor life.

Pressure compensation terminal block allows user to attach auxiliary pressure supply

Programmable temperature alarm to alert if early action required.

Programmable thermostat capable of remote monitoring and control.

Internal corrosion protection to increase reliability in hostile environments.

NEMA 12, 3R & 4/4X ratings for compatibility with electrical enclosure ratings.

Stainless steel shell for NEMA 4X corrosive environments.

All models are designed to withstand shock and vibration in two different planes for a minimum of 4 hours per plane at 1G acceleration.

Both evaporator and condenser coils are epoxy coated, prolonging unit life.

Type X and Z purge fittings for simple connection to enclosure purge system.

### FEATURES AND BENEFITS (OPTIONAL)\*

---

Enclosure heater eliminates damaging condensation, increasing reliability of electrical enclosure components.

Lead-lag control for two air conditioners provides for capacity control, and alternates usage, increasing reliability.

Remote monitoring provides temperature data for warning of early action required.

Remote thermostat relay for control by a user-supplied control system.

#### Special paint finishes\*

\*Contact KOOLTRONIC for more information.

### REPLACEMENT FILTERS

---

The HL48L Filter Part No. is 19502F (26.50" x 11.25" x 0.38" [673.1mm x 285.7mm x 9.7mm])