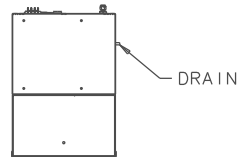
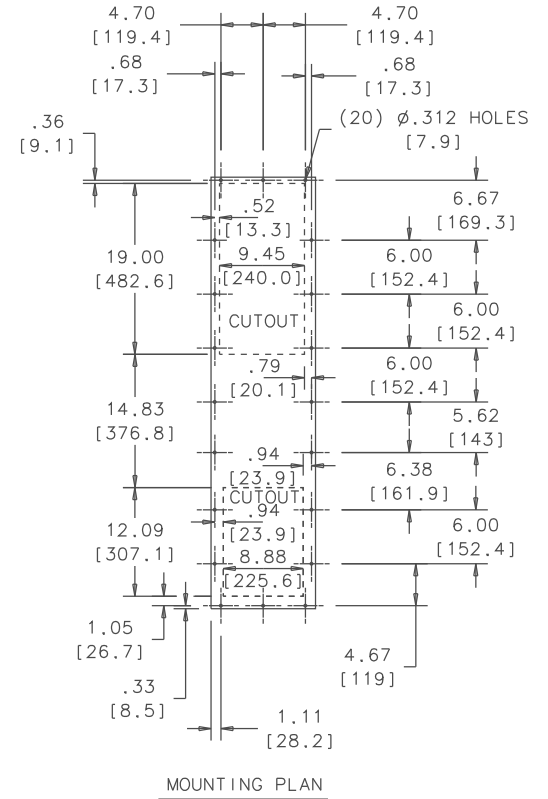
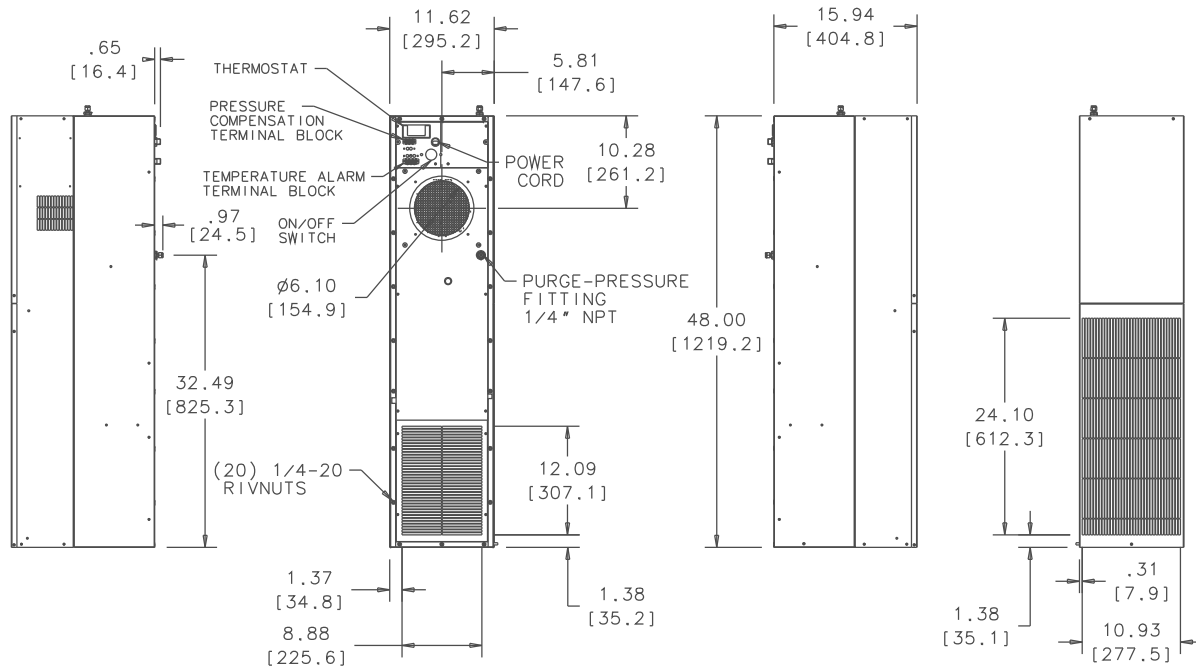
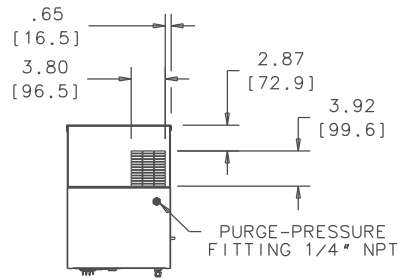
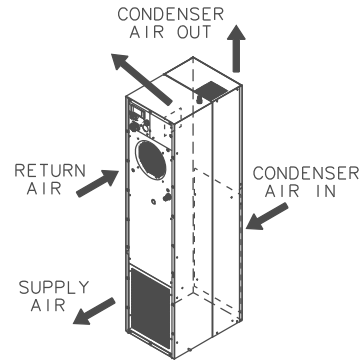


THIS DOCUMENT IS THE PROPERTY OF KOOLTRONIC, INC. AND CONTAINS PROPRIETARY AND CONFIDENTIAL INFORMATION WHICH MUST NOT BE DUPLICATED, USED OR DISCLOSED TO OTHERS, EXCEPT AS EXPRESSLY AUTHORIZED IN WRITING BY KOOLTRONIC, INC.

REVISIONS				
SYM	NOTICE	DESCRIPTION	DATE	APPROVED
-	ER 12/069	NEW DRAWING RELEASE.	4/7/14	DW-
A	EC 15/022	ADDED PRESSURE COMPENSATION TERMINAL BLOCK	3/26/15	JS
B	EC 15/437	ADDED ADDITIONAL PURGE PORT, CHANGED MOUNTING PLAN DIMS	4/14/16	JS



ALL DIMENSIONS ARE IN INCHES. DIMENSIONS DESIGNATED MM ARE IN MILLIMETERS.				DRAWN		DATE	
UNLESS OTHERWISE SPECIFIED TOLERANCES NON-ACCUMULATIVE				D. WALDRON		4/7/14	
TOL. ON	INCHES	MM	CHECKED	Steve Schmierer 5/6/14			
.XX	± .02	±	ENG.	B. MUZIKANT 4/9/14			
.XXX	± .010	±	MFG. ENG.				
ANGULAR				± 1/2 °			
MATERIAL	SEE BOM			CODE IDENT. NO.	SIZE	DWG. NO.	REV
UNIT	HL48			APPROVED	Joe M/Bruce K	5/8/14	06223 C GA202048A B
				SCALE	.0937 ± .1	CAD. REF.	SHEET 1 OF 1



GENERAL ARRANGEMENT