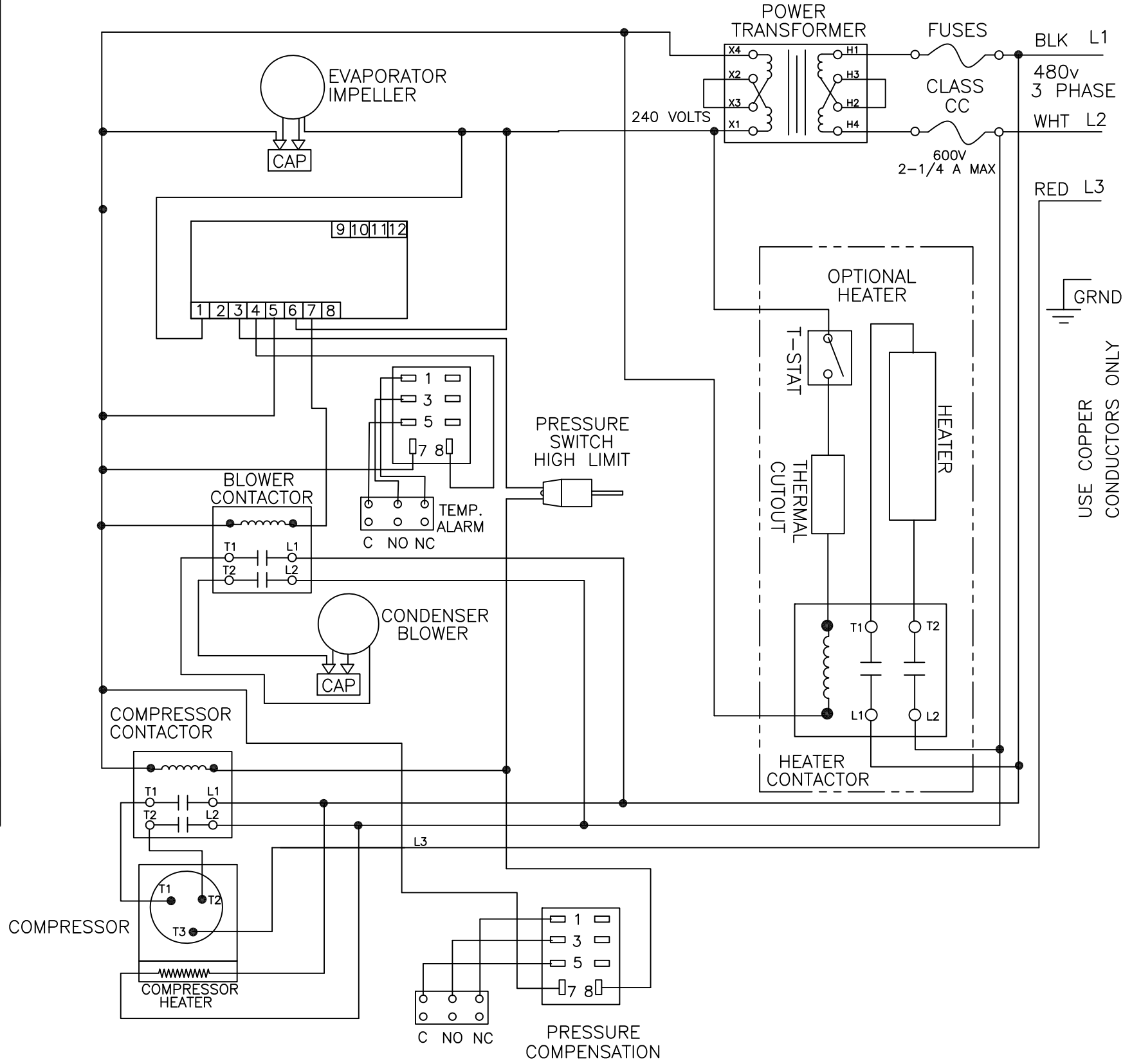


THIS DOCUMENT IS THE PROPERTY OF KOOLTRONIC, INC. AND CONTAINS PROPRIETARY AND CONFIDENTIAL INFORMATION WHICH MUST NOT BE DUPLICATED, USED OR DISCLOSED TO OTHERS, EXCEPT AS EXPRESSLY AUTHORIZED IN WRITING BY KOOLTRONIC, INC.

REVISIONS

SYM	NOTICE	DESCRIPTION	DATE	APPROVED
-	ER 14/028	NEW DRAWING RELEASE	7/28/14	JS
A	EC 15/012	ADDED PRESSURE COMPENSATION FEATURE	1/15/15	JS



ALL DIMENSIONS ARE IN INCHES, DIMENSIONS DESIGNATED MM ARE IN MILLIMETERS.

UNLESS OTHERWISE SPECIFIED TOLERANCES NON-ACCUMULATIVE		
TOL. ON	INCHES	MM
.XX	± .02	±
.XXX	± .010	±
ANGULAR		± 1/2°

DRAWN	DATE
JERRY STEDNICK	8/25/14
CHECKED	
Steve Schmierer	8/26/14
ENG.	
BORIS MUZIKANT	8/27/14
MFG. ENG.	



WIRING DIAGRAM

MATERIAL	UNITS	APPROVED	DATE	CODE IDENT. NO.	SIZE	DWG. NO.	REV
	K3A6C12HL56LV	Joe M/Bruce K	8/27/14	06223	A	WD-1492	A
				SCALE	N/A	CAD. REF.	WD-1492
				SHEET		1 OF 1	