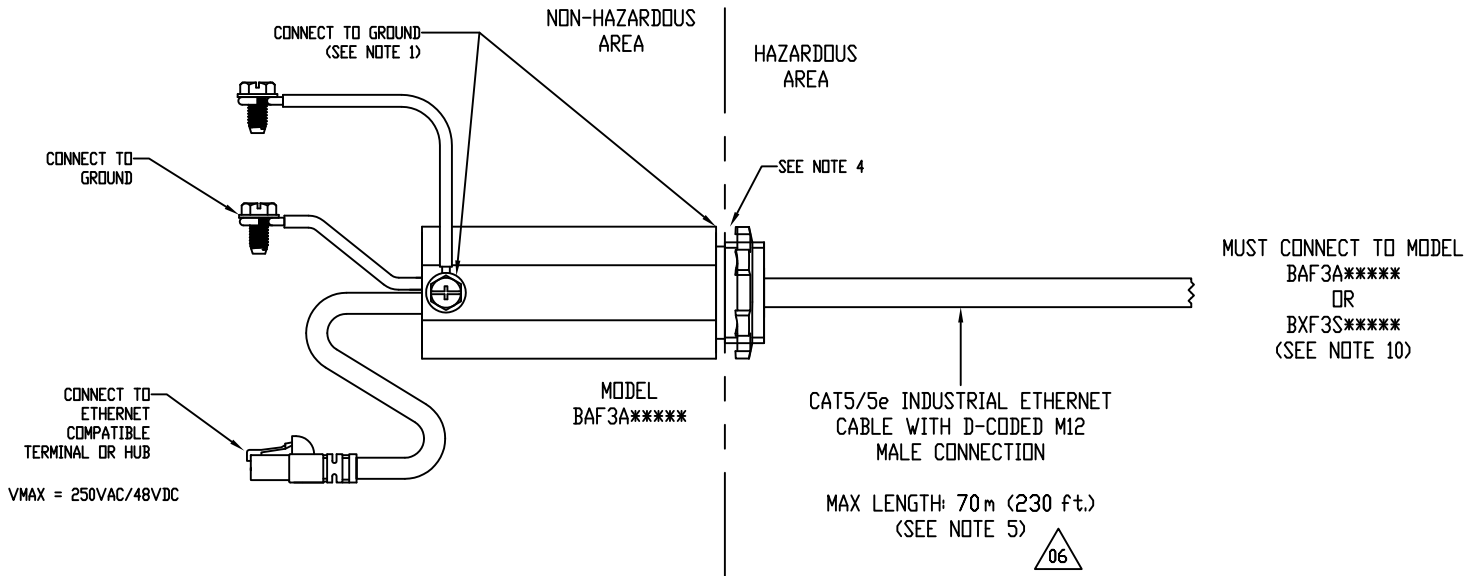



**INSTALLATION REQUIREMENTS:**

- In addition to the attached pigtail lead, the BAF3A must additionally be grounded via either the 3/4" NPT threaded connection or the supplied grounding screw. Secondary pigtail is supplied for connection to grounding screw.
- The Ethernet terminal or hub supply shall be a maximum of 250VAC or 48VDC with a standard Ethernet output.
- Secure BAF3A with supplied panel nut or with bracket. Max wall thickness is 0.25 inch.
- Seal approved for air purged panels.
- Max cable length of 70m is from end termination to end termination of couplers, not length of cable between couplers. 06
- Only to be used with another BXF or BAF Ethernet coupler.
- Ambient operating temperature (Ta): -20°C to +60°C
- Terminal refers to any endpoint device such as a computer. Hub refers to any branching device such as a switch, router, etc.
- ANY CHANGE(S) IN THE INTRINSICALLY SAFE CIRCUITRY OR COMPONENTS MAY RESULT IN AN UNSAFE CONDITION.
- Refer to drawing DC00053 for BXF3S connections.



CABLE CONFIGURATION	
CONNECTIONS	CABLE TYPE
TERMINAL to HUB	STANDARD
TERMINAL to TERMINAL	CROSSOVER
HUB to HUB	CROSSOVER

SCHEDULE DRAWING  
 No modifications  
 permitted without  
 reference to the  
 Notified Body

UNITS INCHES				SCALE NTS		DRAWN BY TEM		DATE 06/08/2010				SHEET NO. 1 OF 1			
ANGLE OF PROJECTION				CHECK BY MEP		DATE 06/08/2010									
UNLESS OTHERWISE SPECIFIED GENERAL TOLERANCES				APPR'D BY MEP		DATE 06/08/2010		TITLE CONTROL DRAWING - BAF INTRINSICALLY SAFE ETHERNET COUPLER (UL)							
.X		INCH ±.020		mm ±0.51		MATERIAL				SIZE		DRAWING NUMBER		REV	
.XX		±.010		±0.25		N/A				A		DC00059		06	
.XXX		±.005		±0.13		FINISH									
CONCENTRICITY		±.005		±0.13		N/A									
ANGLES		±0°30'													

REV	DATE	ECN	DESCRIPTION	SS	MEP	MEP
06	11/14/2017	N/A	Change max Ethernet cable length			
05	03/08/2013	N/A	Updated company information and drawing title. Changed drawing to illustrate connections for single BAF. Added Note 10.	TEM	MEP	MEP

The design and disclosure contained in this drawing was originated by, and is the exclusive property of Solexy. It is furnished for information only and is not an authorization or license to make this construction or to furnish this information to others. All drawings must be returned to Solexy on demand. This drawing is not to be reproduced or copied in any form without the express written permission of Solexy.