



GFR3200 Heated Safety Station with Eyewash, Top Inlet, Rated for Class I, Division 1 Environment

Application: Class I, Division 1 rated electric heat-traced stations prevent freezing in extremely hazardous, cold weather conditions where flammable gases are routinely expected. Thermostat regulated units are heated by self-limiting heat-tracing cable wrapped around internal pipe. Units are intended for cold weather use down to -40°F. See 'Tempering Valves' section to ensure tepid water compliance with ANSI Z358.1-2014.

Heating Cable: Self-regulated with external termination guards. Thermostat activates when internal piping temperature falls below 50°F. FM, UL, and CSA approved for Class I, Division 1, Groups B, C, and D.

Electrical System: Unit is fully wired at factory. Junction box and components rated for Class I, Division 1, Groups B, C, and D. Requires 120 VAC single phase power supply. Heat-trace indicator light included. *Note: In order to meet Class I, Division 1 requirements, approved conduit and fittings must be used during installation.*

Jacket/Insulation: UV-resistant orange ABS plastic with polyethylene foam insulation. Jacket sections are secured with removable stainless steel screws for easy maintenance.

Shower Head: 10" diameter orange ABS plastic with 20 GPM flow control.

Shower Valve: 1" IPS brass stay-open ball valve. US-made with brass ball and PTFE seals. Includes stainless steel actuating arm and 29" stainless steel pull rod.

Spray Head Assembly: Freeze-resistant with float-off dust covers and internal flow control.

Eyewash Valve: 1/2" IPS brass three-way self-draining stay-open ball valve. US-made with brass ball and PTFE seals. Includes 1/2" NPT port to drain water from spray heads after use.

Pipe and Fittings: Schedule 40 galvanized steel.

Supply: 1-1/4" NPT female top inlet.

Sign: ANSI-compliant identification sign.

Quality Assurance: Factory tested prior to shipment. Ships fully assembled and crated.

Available Options

- SSH** Stainless steel shower head
- GRN** Green ABS plastic shower head and shell
- HV** 240 volt heat-tracing
- TL** Heat-trace indicator light
- SP** Scald protection valve
- FP** Freeze protection valve
- ALC** Clear Area Light (ships separately from unit)
- G3800LF** Thermostatic mixing valve. *Note: Must be installed in a non-freezing environment.*



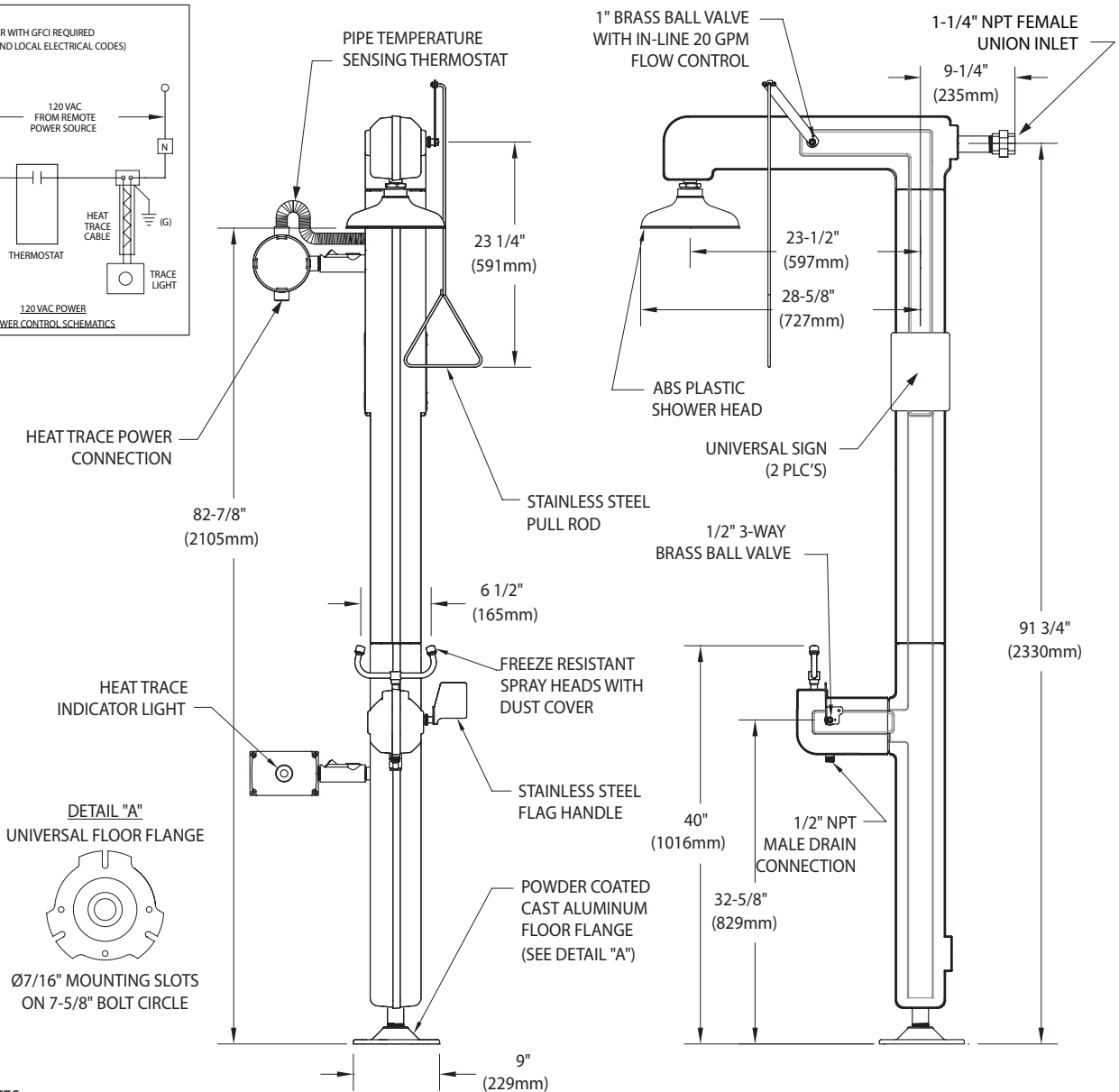
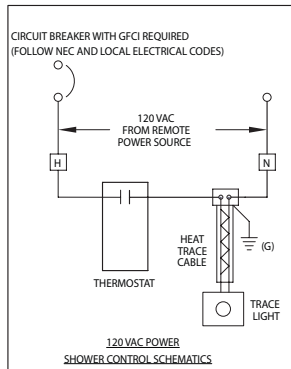
Alarm Options

Specify desired alarm using fourth digit of model number, as follows:

- 0** No alarm
- 1** Single pole, double throw flow switch for remote sensing capability



□ GFR3200 Heated Safety Station with Eyewash, Top Inlet, Rated for Class I, Division 1 Environment

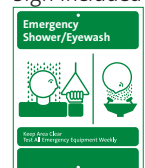


NOTES:

1. FREEZE RESISTANT SPRAY HEAD ASSEMBLY WITH INTERNAL 3.2 GPM FLOW CONTROL AND FLOAT OFF DUST COVERS.
2. DESIGNED FOR USE IN A CLASS I, DIVISION 1, GROUPS B, C & D ENVIRONMENT.
3. PEAK HEAT TRACE POWER CONSUMPTION IS 80 WATTS.
4. IN ORDER TO MEET CLASS I, DIVISION 1 REQUIREMENTS, APPROVED CONDUIT AND FITTINGS MUST BE USED. ALL THREADED ELECTRICAL CONNECTIONS MUST HAVE HAZARDOUS LOCATION RATED SEALANT APPLIED TO THREADS.

THIS SPACE FOR ARCHITECT/ENGINEER APPROVAL

Sign Included



Due to continuing product improvement, the information contained in this document is subject to change without notice. All dimensions are ± 1/4" (6mm). rev. 041819

