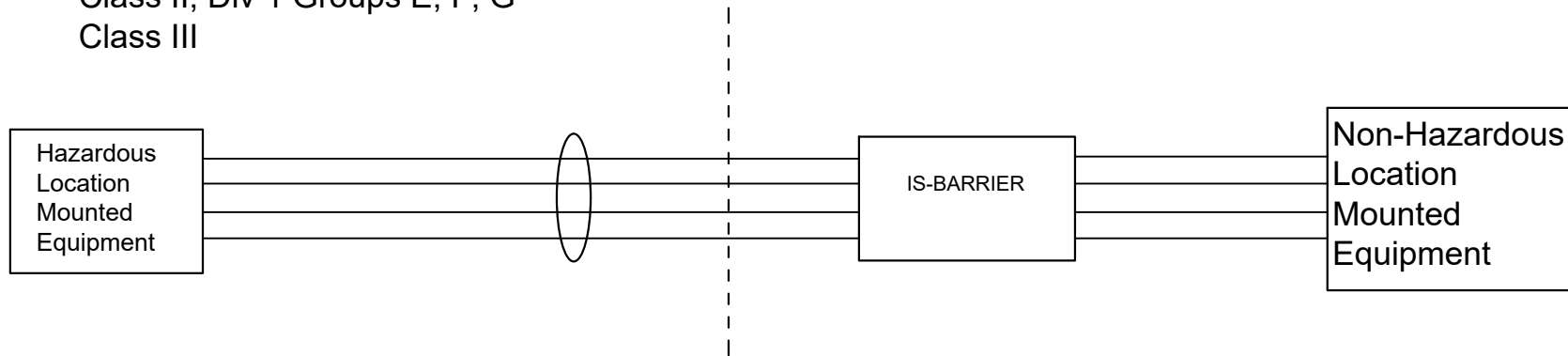


DATE	CHANGES	INTL	REV
04.25.17	Original	ALH	1.0
06.11.18	Corrected Isolator Barrier PN	ALH	1.1
05.14.19	Added new isolation barrier option	CW	2.0

Hazardous (Classified) Location  
 Class I, Div 1 Groups C, D  
 Class II, Div 1 Groups E, F, G  
 Class III

Non Hazardous (Unclassified) Location



Application Notes

1. Supply, Clock, and Data leads to be wired through P070-000AAA-01 EX210 IS Device Isolator or iKey's PS2-IS-BARRIER as shown above
2. Reference connection to ISA standard RP 12.06.01.
3. Installation shall be in accordance with the NEC, Article 504, ANSI/NFPA 70
4. Observe barrier manufacturer's installation instructions
5. Pointing device supplied with 5Vdc @ 20mA

Specifications: Hazardous Location Devices

DT-2000-FSR-IS: Intrinsically safe  
 Class I,II,III Div 1  
 Groups C,D,E,F,G  
 PM-2000-FSR-IS: Intrinsically safe  
 Class I,II,III Div 1  
 Groups C,D,E,F,G

Cable Parameters

**P070-000AAA-01 EX210 IS Device Isolator**

	Groups C, E	Groups D, F, G
Max Cable Capacitance	558.49 uF	988.49 uF
Max Cable Inductance	138 uH	388 uH

**iKey PS2-IS-BARRIER**

	Groups C, E, F, G	Groups D
Max Cable Capacitance	105 uF	960uF
Max Cable Inductance	228 uH	456 uH

Intrinsic Safety Barrier Specifications

P070-000AAA-01 EX210 IS Device Isolator  
 OR  
 iKey PS2-IS-BARRIER

No revision to drawing  
 w/o prior FM approval