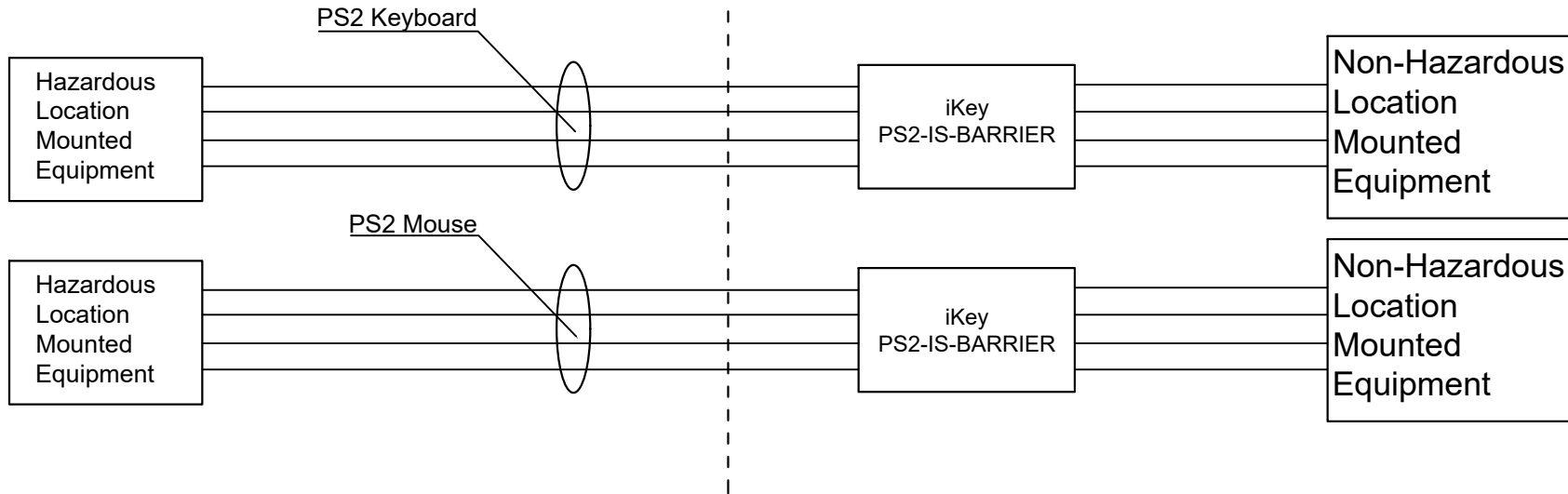


DATE	CHANGES	INTL	REV
04.20.17	Original	ALH	1.0
07.31.18	Added isolation barriers to wiring concept	ALH	1.1
09.12.18	Removed isolation barriers, adding Nonincendive Field Wiring	ALH	1.2
12.18.18	Updated to Pepperl Fuchs isolation barrier	ALH	1.3
05.13.19	Updated isolation barrier	CW	2.0

Hazardous (Classified) Location
 Class I, Div 2 Groups A, B, C, D
 Class II, Div 2 Groups F, G
 Class III, Div 2

Non Hazardous (Unclassified) Location



Application Notes

1. Supply, Clock, and Data leads to be wired through iKey PS2-IS-BARRIER as shown above.
2. PS2-IS-BARRIER to be powered by host PC.
3. Reference connection to ISA standard RP 12.06.01.
4. Installation shall be in accordance with the NEC, Article 504, ANSI/NFPA 70
5. Observe barrier manufacturer's installation instructions

Specifications: Hazardous Location Devices

DT-5K-FSR-NI: Nonincendive

Class I, Div 2 Gps A,B,C,D

Class II,III, Div 2 Gps F,G

PM-5K-FSR-NI: Nonincendive

Class I, Div 2 Gps A,B,C,D

Class II,III, Div 2 Gps F,G

Intrinsic Safety Barrier Specifications

iKey PS2-IS-BARRIER

Cable Parameters

iKey PS2-IS-BARRIER

	Groups C, E, F, G	Groups D
Max Cable Capacitance	105 uF	960uF
Max Cable Inductance	228 uH	456 uH

No revision to drawing
 w/o prior FM approval