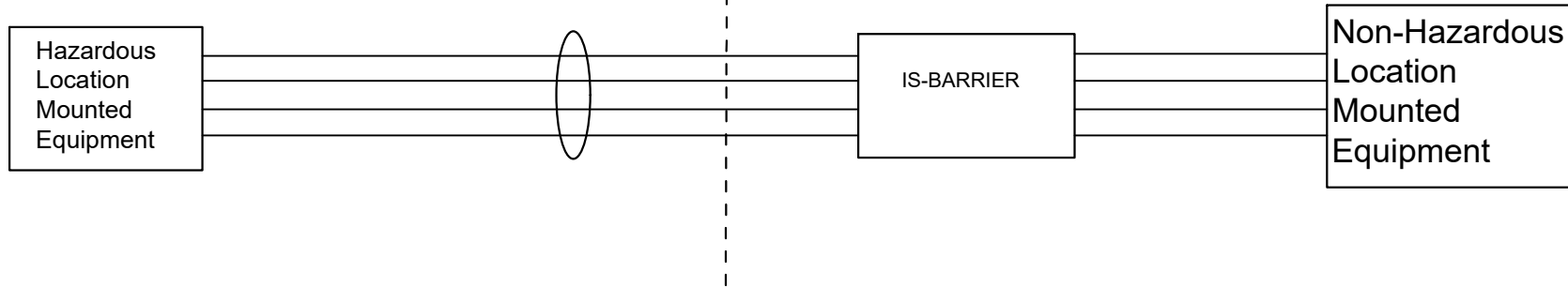


DATE	CHANGES	INTL	REV
08.03.18	Original	ALH	1.0
08.17.18	Removed Note 5	ALH	1.1
05.14.19	Added new isolation barrier option	ALH	2.0

Hazardous (Classified) Location
 Class I, Div 1 Groups C, D
 Class II, Div 1 Groups E, F, G
 Class III

Non Hazardous (Unclassified) Location



Application Notes

1. Supply, Clock, and Data leads to be wired through P070-000AAA-01 EX210 IS Device Isolator or iKey's PS2-IS-BARRIER as shown above
2. Reference connection to ISA standard RP 12.06.01.
3. Installation shall be in accordance with the NEC, Article 504, ANSI/NFPA 70
4. Observe barrier manufacturer's installation instructions

Specifications: Hazardous Location Devices

DT-1000-IS: Intrinsically safe

Class I,II,III Div 1
 Groups C,D,E,F,G

PM-1000-IS: Intrinsically safe

Class I,II,III Div 1
 Groups C,D,E,F,G

Cable Parameters

P070-000AAA-01 EX210 IS Device Isolator

	Groups C, E	Groups D, F, G
Max Cable Capacitance	558.49 uF	988.49 uF
Max Cable Inductance	138 uH	388 uH

iKey PS2-IS-BARRIER

	Groups C, E, F, G	Groups D
Max Cable Capacitance	105 uF	960uF
Max Cable Inductance	228 uH	456 uH

Intrinsic Safety Barrier Specifications

P070-000AAA-01 EX210 IS Device Isolator
 OR
 iKey PS2-IS-BARRIER

No revision to drawing
 w/o prior FM approval