

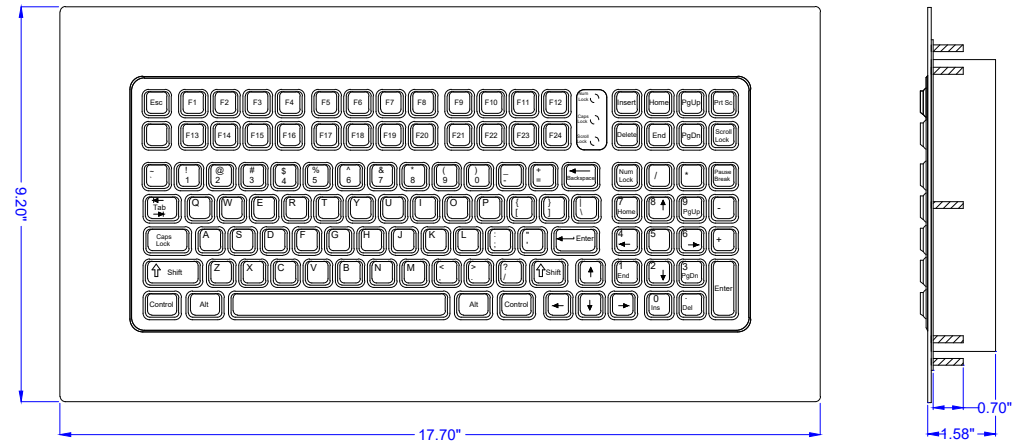
PM-1000-NI

DATE	CHANGES	INTL	REV
08.06.18	Original	AH	1.0
09.13.18	Removed isolation barriers, added Nonincendive Field Wiring to concept (pg3), added mounting information (pg2)	AH	1.1
01.08.19	Added Pepperl & Fuchs isolation barrier	AH	1.2
05.14.19	Added PS2-IS-BARRIER and removed Pepperl & Fuchs barrier	CW	2.0

DESCRIPTION: The PM-1000-NI is full size 102-key keyboard with a 10-key numeric keypad in a ruggedized stainless steel Panel Mount enclosure carrying the FM Approvals Non-Incendive Certification.

USE: The PM-1000-NI is designed for use in Hazardous Locations as detailed below. The keyboard must be used in combination with the iKey PS2-IS-BARRIER.

MAINTENANCE: There are no serviceable parts on this assembly.



CERTIFICATION AND OPERATING SPECIFICATIONS:

NON-INCENDIVE:
Class I, Division 2, Groups A/B/C/D

STANDARDS FOR US APPROVAL:
FM3600:2018, FM3610:2018, FM3611:2018, FM3810:2018, ANSI/UL 60079-0:2013 (Group IIB), ANSI/ISA 12.12.0:2015, ANSI/ISA 61010-1:2012, NEMA250:2014

TEMPERATURE CLASS:
T4 (-40°C ≤ T4 ≤ +75°C)

POWER:
Reference Drawing Number HL0077 for Power Requirements

ENCLOSURE TYPE:
Type 4X

WEIGHT:
8.25 lbs +/- 0.10 lbs (3.74 kg +/- 0.05 kg)

No revision to drawing
w/o prior FM approval

PROPRIETARY AND CONFIDENTIAL



iKey, Ltd.
2621 Ridgpoint Dr. Suite 235
Austin, Texas 78754

©2019 iKey, Ltd.
Voice: (512) 837-0283
Fax: (512) 927-8530

Part Number: PM-1000-NI
Drawing Title: PM-1000-NI-MKT

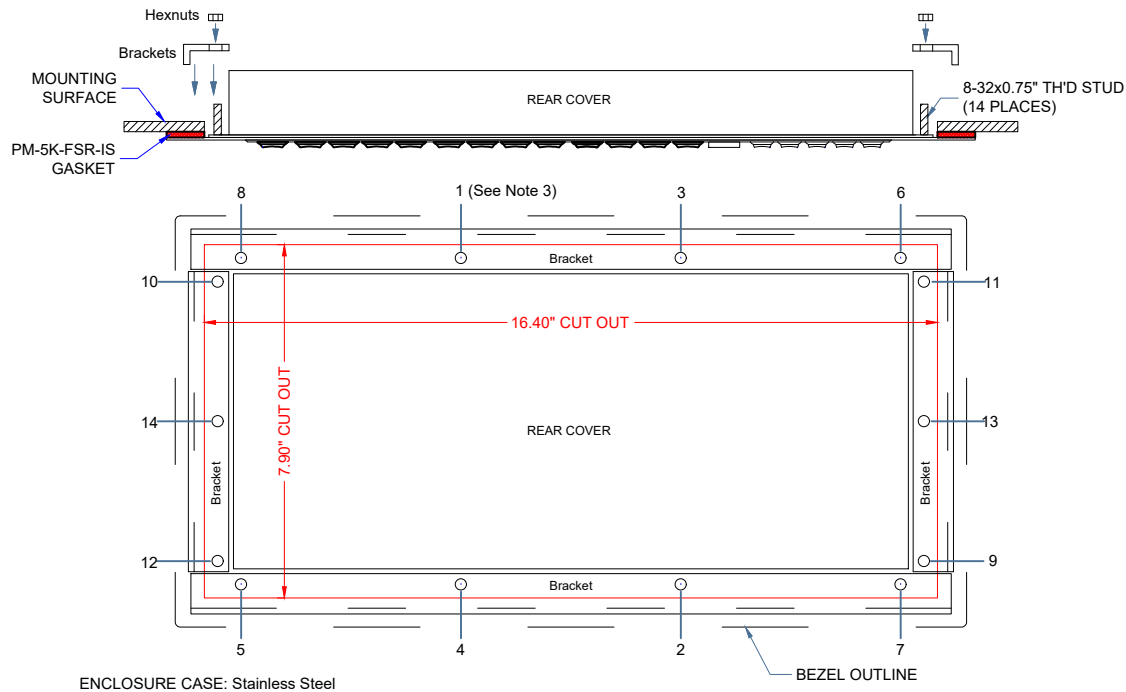
Drawing Number: MKT0465
Revision: 2.0

Sheet: 1 OF 3
Date: 05.14.19
CW

INSTALLATION: The PM-2000-FSR-NI and the PS2-IS-BARRIER should only be installed in Hazardous Locations as detailed in the Certification and Operating Specifications section. Installation shall be in accordance with NEC, Article 501, ANSI, NFPA 70, reference Drawing Number HL0071. Ensure all directions detailed below are followed:

1. Place the PM-2000-FSR-NI in the 20.50" x 7.90" cutout, see diagram below.
2. Place the supplied brackets (4x) on each side and hand tighten locking hexnuts over all (14x) 8-32 x 0.75" studs.
3. Tighten with a torque wrench to 15in/lb in order shown on diagram.

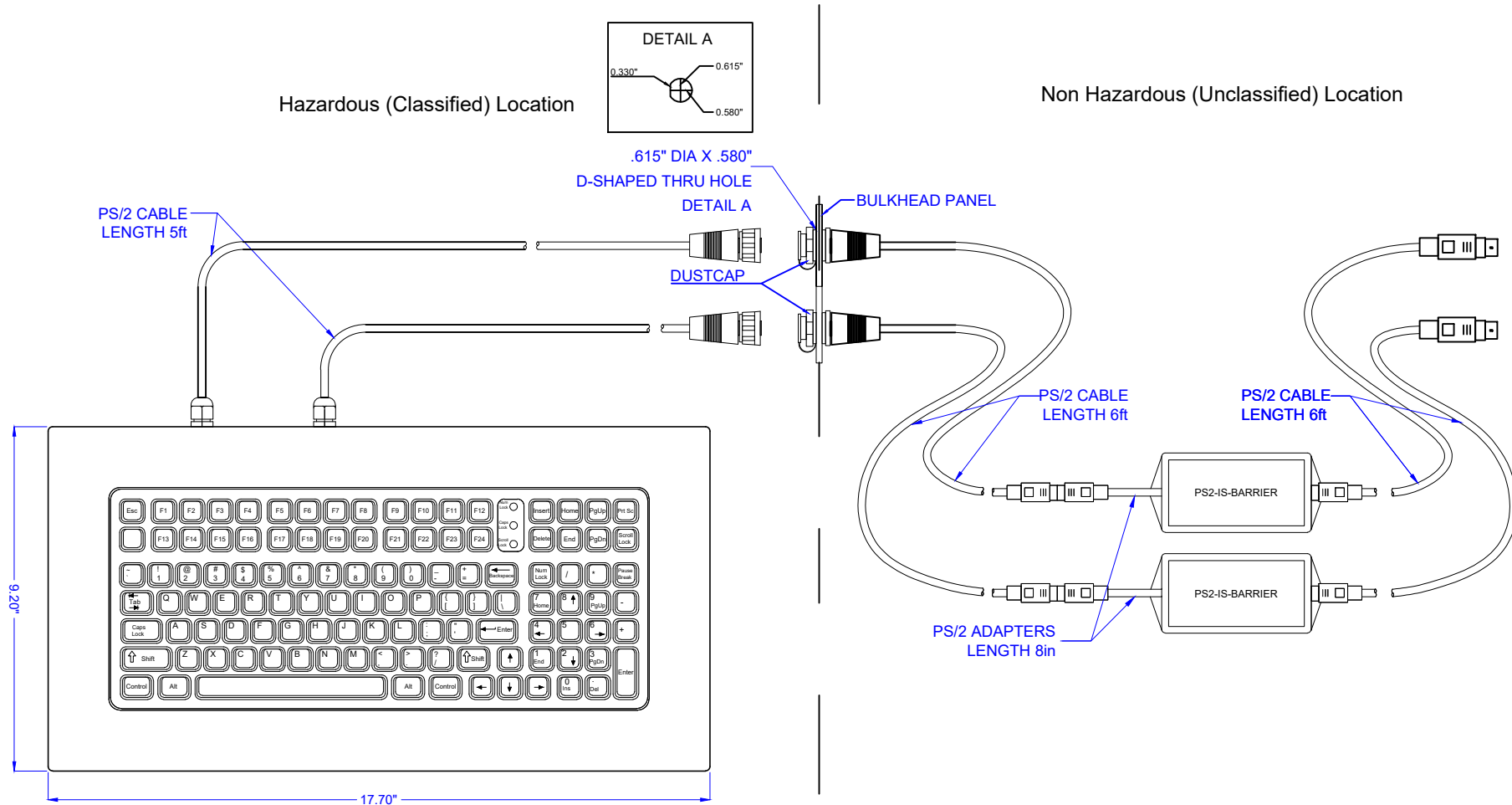
NOTE: Installed gasket should be compressed against mounting surface to ensure NEMA 4X rating.



No revision to drawing
w/o prior FM approval

PROPRIETARY AND CONFIDENTIAL

ASSEMBLING AND DISMANTLING: The PM-1000-NI keyboard must be assembled with the PS2-IS-BARRIER as shown in the connection diagram below and in accordance with Drawing Number HL0077. There are no serviceable parts in this assembly.



No revision to drawing w/o prior FM approval

PROPRIETARY AND CONFIDENTIAL