

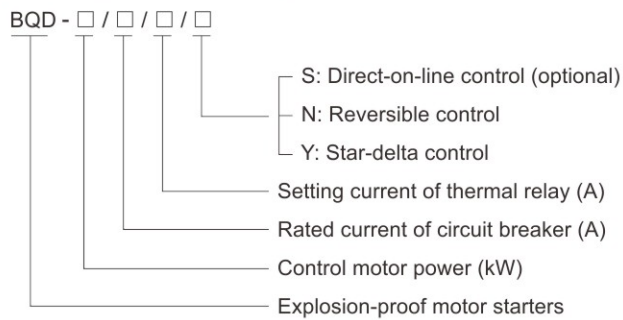
Standard Motor Starters

BQD Series Explosion-proof Motor Starters (Ex d e IIC)



- ◆ Explosion protection to
 - CENELEC
 - IEC
 - NEC
- ◆ Can be used in
 - Zone 1 and Zone 2
 - Class I, Zone 1 and Zone 2
 - Class I, Division 2, Groups A, B, C, D
- ◆ Classified as IIC according to gas atmosphere.
- ◆ Different motor starters.
- ◆ Copper-free Aluminium Alloy enclosure, powder coated surface.

■ Catalogue number logic



■ Note

1. Please select the model by Catalogue number logic above, and specify all technical data;
2. Please specify Ex-mark when ordering;
3. Entry size, entry direction, enclosure material, etc. on request.

Zones 1&2

Standard Motor Starters

BQD Series Explosion-proof Motor Starters (Ex d e IIC)

Technical data

Explosion-proof motor starters (direct-on-line control) BQD-□/□/□

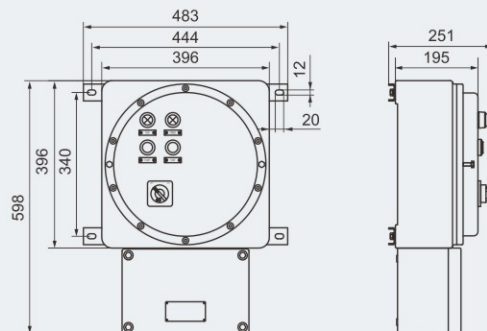
| | |
|---------------------------------------|--|
| Explosion protection | IECEX CQM 11.0017X |
| Global (IECEX) | Ex d e IIC T6 Gb |
| Gas and dust | LCIE 10 ATEX 3075 |
| Europe (ATEX) | Ⓔ II 2 G Ex d e IIC T6 |
| Gas and dust | IECEX; ATEX |
| Certificates | EN 60079-0, EN 60079-1, EN 60079-7 |
| Conformity to standards | IEC 60079-0, IEC 60079-1, IEC 60079-7 |
| Enclosure material | Copper-free Aluminium Alloy, powder coated surface |
| Enclosure colour | Window grey (RAL7040) |
| Exposed fastener | Stainless steel |
| Components | MCB (miniature circuit breaker) AC contactor Thermal overload relay Indicator, pushbutton |
| Rated voltage | 380/400V AC 50/60Hz |
| Degree of protection | IP65 |
| Internal&external earthing | M6/M6 |
| Ambient temperature | -20°C~+55°C |
| Cable entries | Standard M□ x 1.5 plug; See Selection table as below |
| Cable gland (optional) | DQM-I (Ex e) is recommended. Please see P7/17~19 |
| Entry direction | Bottom |

Selection table

| Version | Control motor power (kW) | Rated current of circuit breaker (A) | Adjustable range of setting current of thermal relay (A) | Rated current of contactor (A) | Cable entry size | Enclosure weight (kg) |
|-------------------|--------------------------|--------------------------------------|--|--------------------------------|------------------|-----------------------|
| BQD-4/10/7~10 | 4 | 10 | 7~10, Ie=9 | 12 | 2 x M25 x 1.5 | 33.00 |
| BQD-5.5/16/9~13 | 5.5 | 16 | 9~13, Ie=12 | 18 | 2 x M25 x 1.5 | 33.00 |
| BQD-7.5/20/12~18 | 7.5 | 20 | 12~18, Ie=17 | 25 | 2 x M25 x 1.5 | 33.00 |
| BQD-11/32/16~24 | 11 | 32 | 16~24, Ie=21 | 32 | 2 x M32 x 1.5 | 33.00 |
| BQD-15/40/30~40 | 15 | 40 | 30~40, Ie=32 | 40 | 2 x M32 x 1.5 | 33.00 |
| BQD-18.5/50/37~50 | 18.5 | 50 | 37~50, Ie=40 | 50 | 2 x M40 x 1.5 | 33.00 |
| BQD-22/63/37~50 | 22 | 63 | 37~50, Ie=48 | 65 | 2 x M40 x 1.5 | 33.00 |



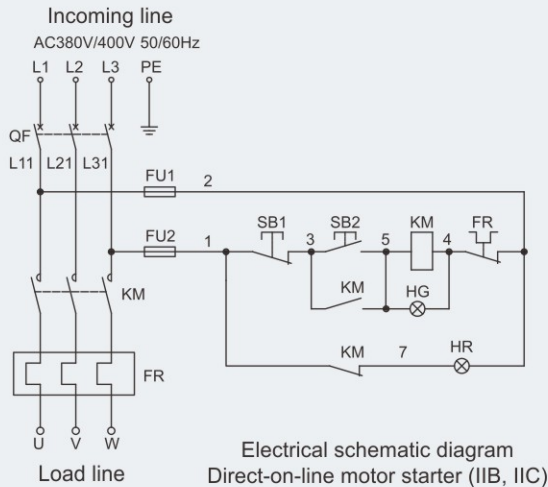
Dimension drawings (all dimensions in mm) - subject to alteration



4kW-22kW

Standard Motor Starters BQD Series Explosion-proof Motor Starters (Ex d e IIC)

Electrical schematic diagram



Code of electric components

QF: circuit breaker

KM: AC contactor

FR: thermal relay

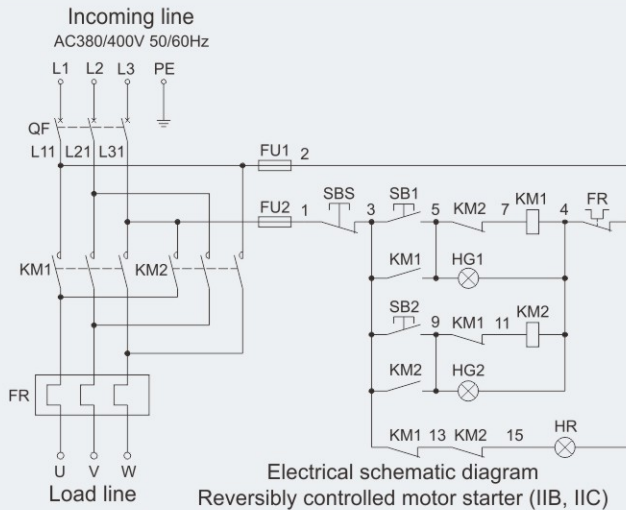
FU1, FU2: fuse

SB1: stop button

SB2: start button

HR: stop indicator

HG: running indicator



Code of electric components

QF: circuit breaker

KM1, KM2: AC contactor

FR: thermal relay

FU1, FU2: fuse

SBS: stop button

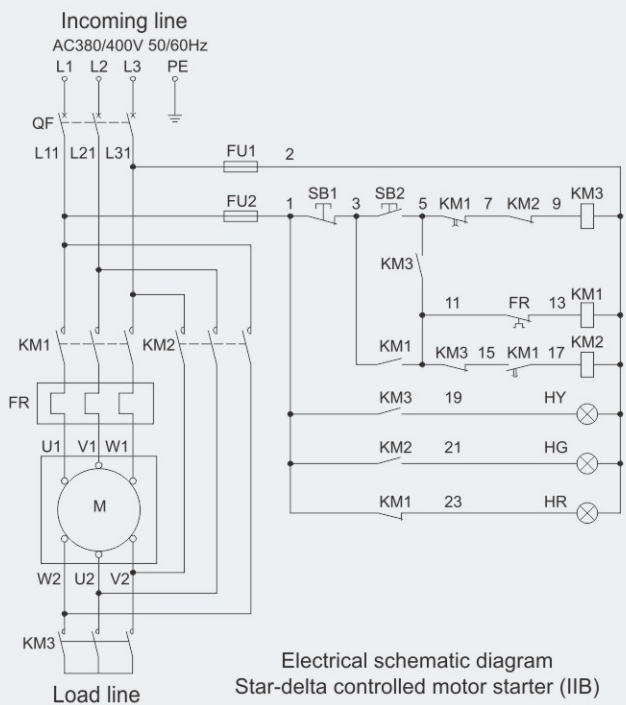
SB1: non-reversible start button

SB2: reversible start button

HR: stop indicator

HG1: non-reversible running indicator

HG2: reversible running indicator



Code of electric components

QF: circuit breaker

KM1: main contactor

KM3: star start contactor

KM2: delta running contactor

FR: thermal relay

FU1, FU2: fuse

SB1: stop button

SB2: start button

HR: stop indicator

HY: star start indicator

HG: delta running indicator

