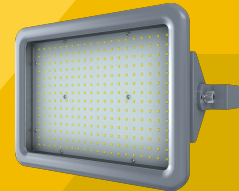




# Explosion Proof Light A Series



**Industrial Field & Hazardous Locations**



**Venas Co.,Ltd**

R1205(S01),12/FL,Tai Sang Bank Building 130-132 Des Voeux Road,Central,HongKong

[Cady@venas.com](mailto:Cady@venas.com) ; [Lys@venas.com](mailto:Lys@venas.com)

[www.venas.com](http://www.venas.com)

# Applications

## Oil and Gas industry

- All petroleum production and refining
- Petroleum loading and transportation
- Petroleum storage and retail
- LNG industry

## All mining operations and service

## Chemical industry

- All types of paint facilities
- Chemical production and storage

## Ocean, marine and aerospace field

- Ocean platform operation facilities and structure
- Aerospace clean room and production
- Ocean vessel operations

## Metal treatment

- Steel and aluminum factories
- Pumping stations in any environment
- Metal smelting, foundry and fabrication

## Food and alcohol industry

- Flour and fine particle production and storage
- Food and distilling production
- Alcohol industry

Other high humidity, high dust, high temperature, vapor locations





A2



A



A3



A4



## Explosion Protection

### Marking ATEX

II 3 G Ex ec IIC T3C Gc  
 II 2 D Ex op is tb IIIC T160°C Db  
 EX IIC EX mb eb IIC T3C Gb  
 II2 EX op is tb IIC T3C Db

### Marking IECEX

Ex ec IIB T3C Gc  
 Ex op is tb IIIC T160°C Db  
 EX mb eb IIC T3C Gb  
 EX op is tb IIC T3C Db

### Marking UL844 (North American)

Class I, Division 2, Groups A, B, C, D  
 Class II, Division 1, Groups E, F, G  
 Class II, Division 2, Groups F, G  
 Class III

### Marine Marking

UL 1598, UL1598A  
 ABS

### Other Rating

IP 66

## Materials

- Housing: Aluminum
- Lens: Tempered glass

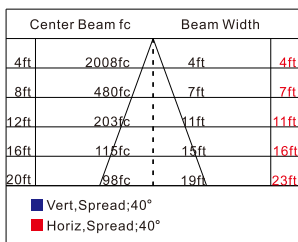
- Hardware: stainless steel
- Mounting Bracket: stainless steel

# Features

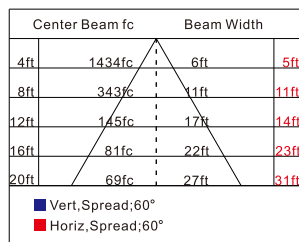
- Working Temperature: -40°C ~ +55°C.
- High quality SMT LED and Meanwell Driver.
- Light-weight design by aircraft aluminum.
- Heavy-duty and high impact resistance.
- Three connection cable entry points.
- Replaceable LED board and drivers.
- Integrated junction box for driver with emergency back up.
- Dimmable and battery back up function available.
- Marine rating powder coated appearance treatment.
- Up to 5 years limited warranty option.
- Emergency Battery back up to three hours.
- Various installation ways for different applications.
- Glass lens or Glass with polycarbonate lens to make bigger beam angle.

# Light Distribution

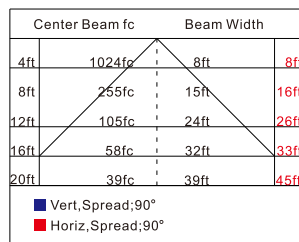
200W/40D



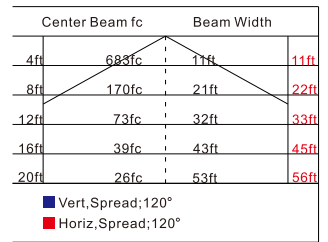
200W/60D



200W/90D



200W/120D



# Specification

Product Number	Wattage	Color Temperature	Voltage	Lumens	Warranty	CRI			
EX-20W A2YZDA	20	2200K-7000K	AC100-277V(by driver or by IC) Or DC12-48V	2800	5 years	80			
EX-40W A2YZDA	40			5600					
EX-60W A2YZDA	60			8400					
EX-80W AYZDA	80			11200					
EX-100W AYZDA	100		14000						
EX-150W A3YZDA	150		21000						
EX-180W A3YZDA	180		25200						
EX-200W A3YZDA	200		28000						
EX-150W A4YZDA	150		21000						
EX-180W A4YZDA	180		25200						
EX-200W A4YZDA	200		28000						
EX-250W A4YZDA	250		35000						
EX-300W A4YZDA	300		42000						
EX-400W A4YZDA	400		56000						
				AC100-277V(by driver or by IC) Or DC12-48V Or AC200-488V(<100W)					

“A, A2, A3, A4”=Product code. “Y”=D or N: Dimmable or non-dimmable “Z”=CCT, from 2200-7000K.  
 “D”=Beam angle, D40 for 40°, D60 for 60°, D90 for 90°, D120 for 120°.

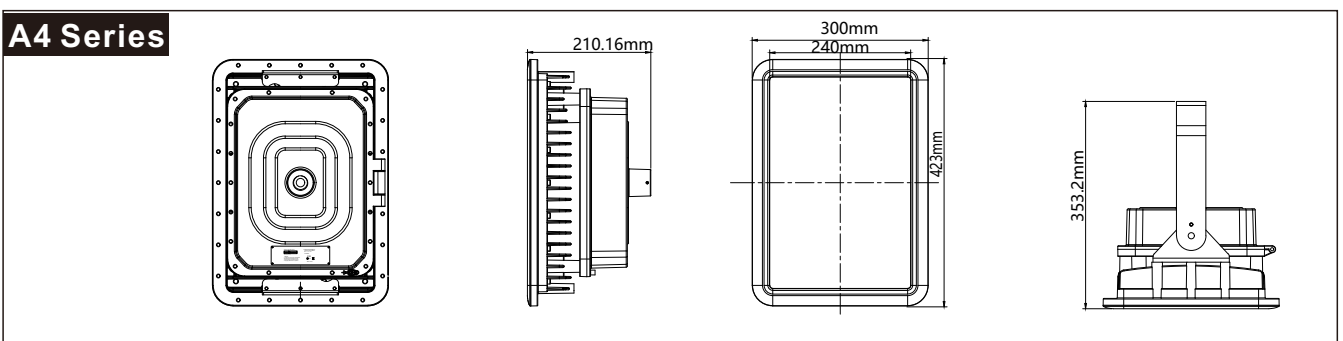
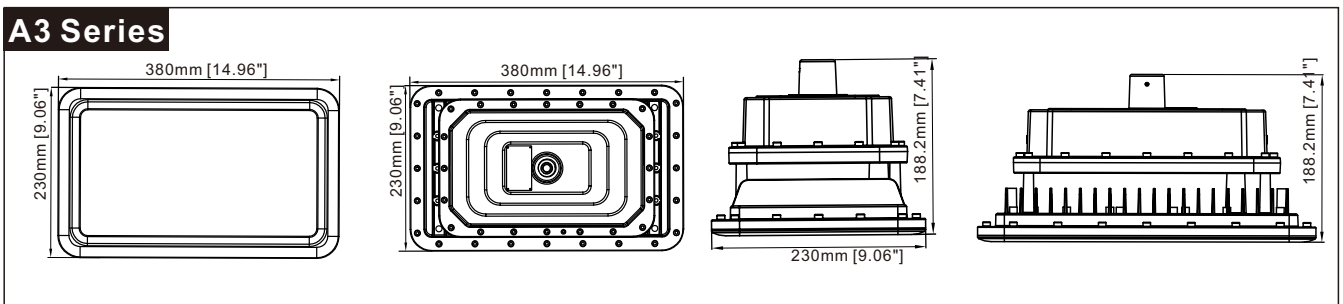
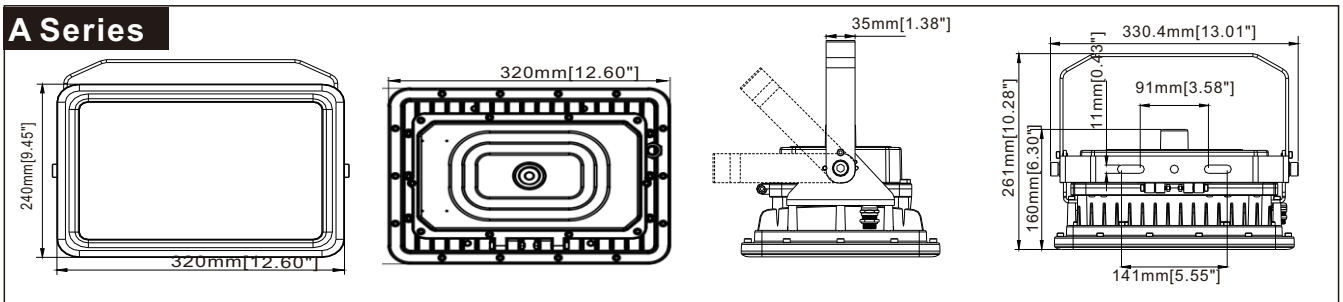
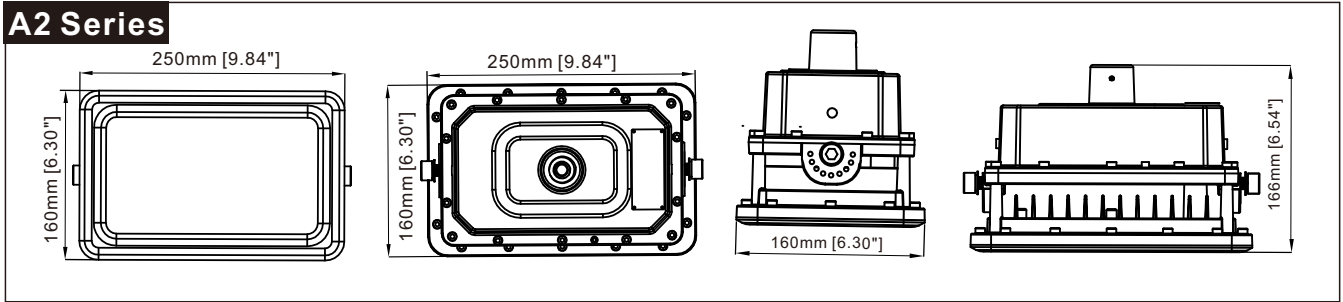
# Packing Information

Model	Quantity/Carton	Length(cm)	Width(cm)	Height(cm)	Net weight(kg)	Gross weight(kg)
A	1	37.5	34	21.5	6.95	7.9
A2	1	36.5	27	30.5	4.15	5.3
A3	1	48.5	34	36.5	8.3	10.3
A4	1	35	47	40	15.1	17

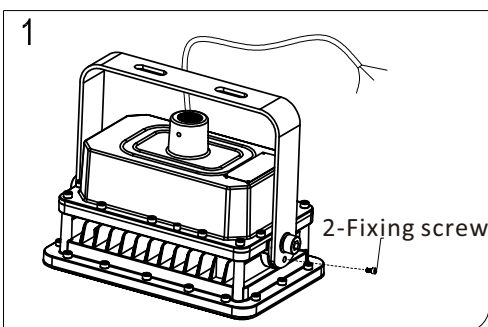
# Dimension

These structure type with bracket, flat glass and optics lens generates 40°, 60°, 90° and 120° light distribution.

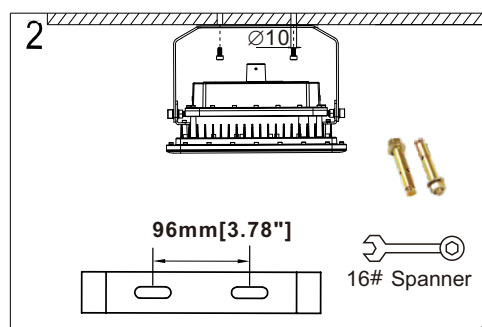
Unit: mm or inch



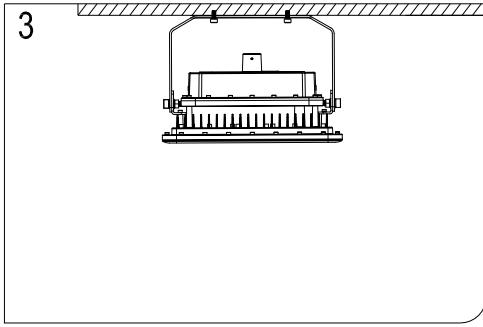
# Ceiling Mounting



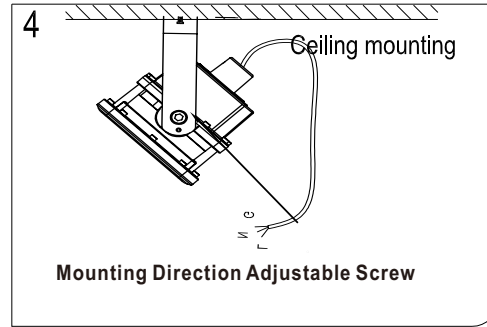
2. Install and tighten flexible metal conduit with the fixture.



3. Drill 2x hole as shown in Fig.2, the distance can be 91~140mm, fixing  $\varnothing 10$  expanded crews and bracket on ceiling.

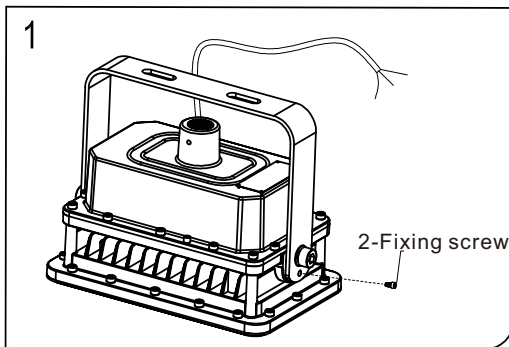


4. Connect black cable to L, connect white cable to N, connect green cable to grounding.

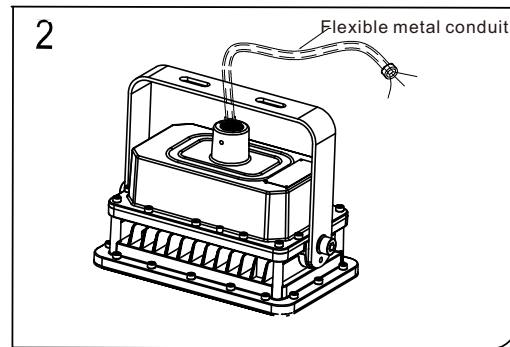


5. Adjust the beam angle from 0-180°.

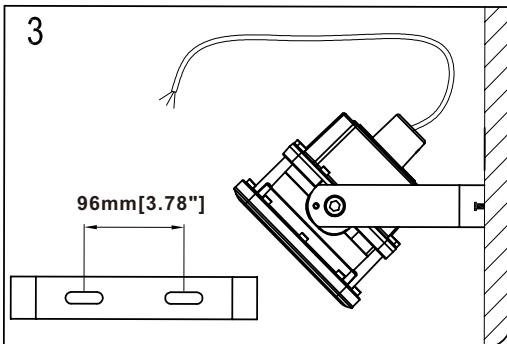
## Wall Mounting



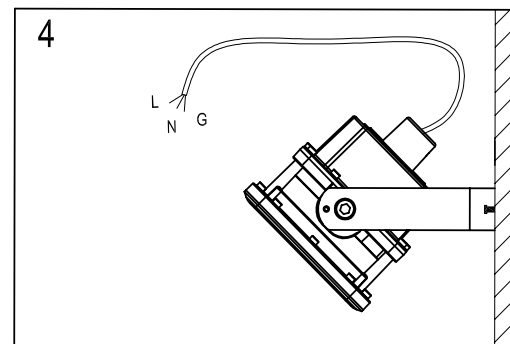
1. Take the fixture and accessory out from carton box, tighten 2x angle holder screw as Fig.1.



2. Install and tighten flexible metal conduit with the fixture.

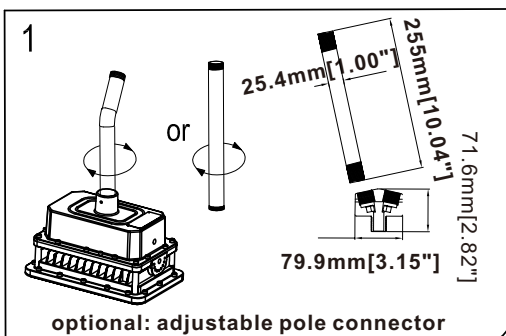


3. Drill 2x hole as Shown in Fig.2, the distance can be 91~140mm, fixing  $\varnothing 10$  expansion screws and bracket on ceiling.

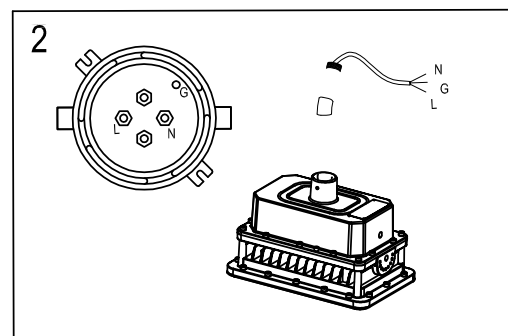


4. Connect black cable to L, Connect White cable to N, Connect green cable to grounding.

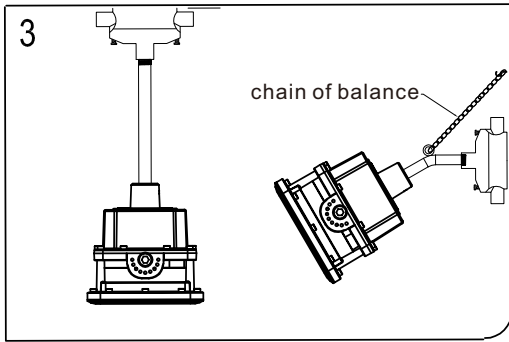
## Pole Mounting



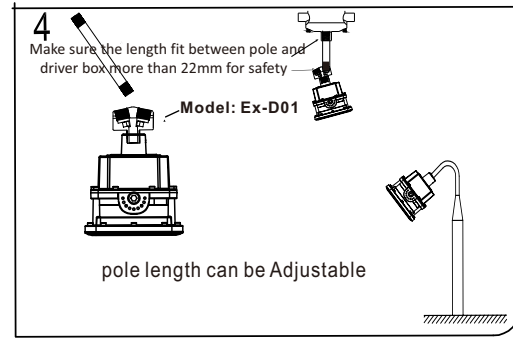
1. Take the fixture and pole accessory out from carton box, tighten pole as shown in Fig.1.



2. Connect black cable to L, Connect White cable to N, Connect green cable to grounding.

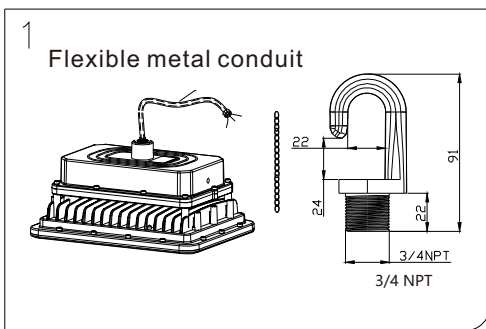


3. Drill 4x  $\varnothing 10\text{mm}$  holes, as 100mm distance, install the junction box to the wall or ceiling as shown in Fig.3, tighten the pole to the box, and adjust the chain of balance.

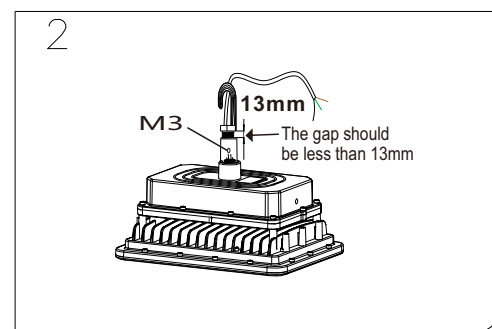


4. Adjustable pole installation. With this adjustable kit, you can Make any light distribution direct as you want. Optional: Install the fixture to the long pole after cable connecting cable.

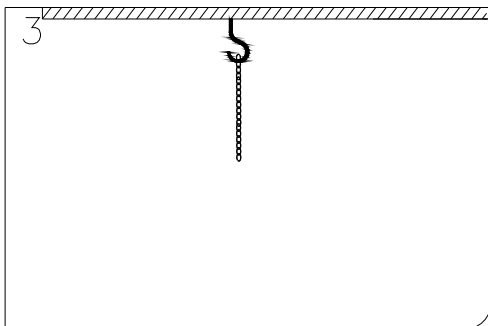
## Hook Pendant



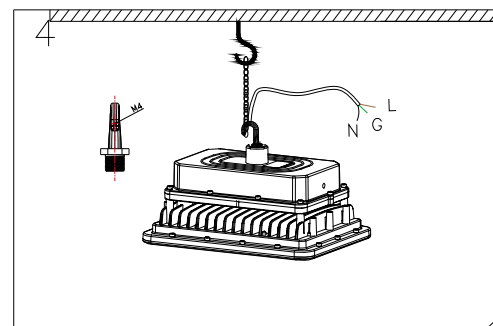
1. Take the fixture and accessory out from carton box, tighten 2x angle holder screw as shown in Fig.1.



2. Tighten the hook with the fixture, at least 6x teeth need to be tighten, fix the M3 screw to prevent the hook loosening .



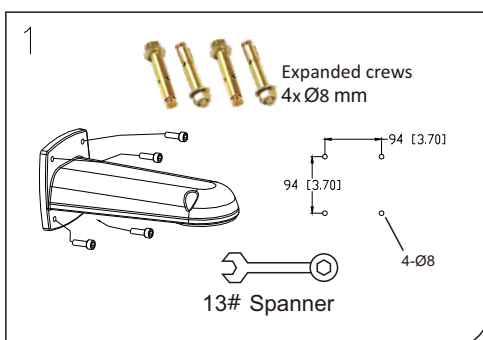
3. Drill 1 expansion screw hole and install it, and hang the chain as shown in Fig.3.



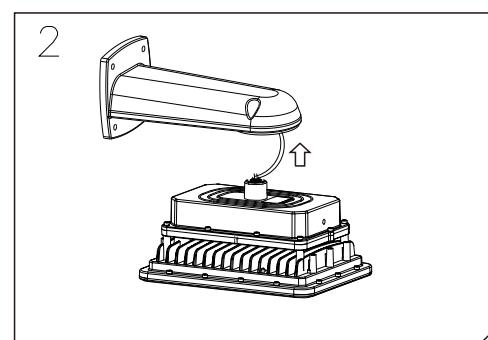
4. Hang the fixture to the hook as above, connect black cable to L, connect White cable to N, connect green cable to grounding.

## Arm Mounting

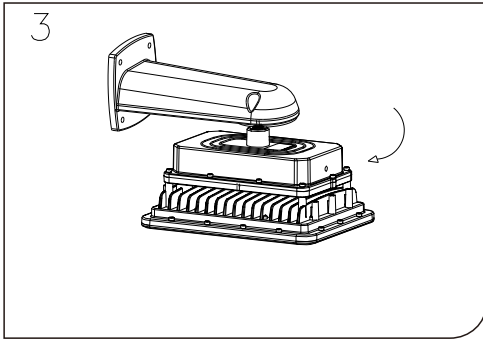
This installation method is only for Model A2 and Model A. It can not be applied on model A3 because model A3 too heavy. Only one electrician is required for this installation.



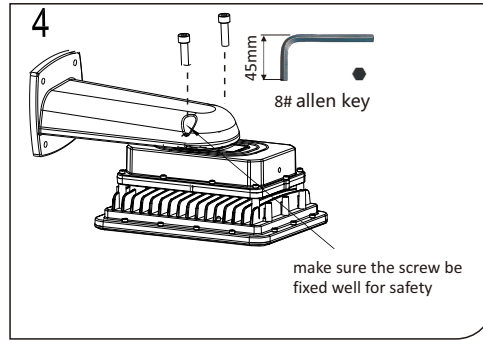
1. Drill 4x holes as above distance, and fix the arm on the wall, tighten 4x screws as shown in Fig.1.



2. Contact the power AC wire with lamp, put the terminal into the arm.



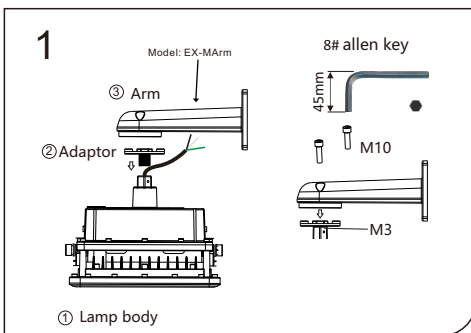
3. Match the circle part with arm, and rotate it to right.



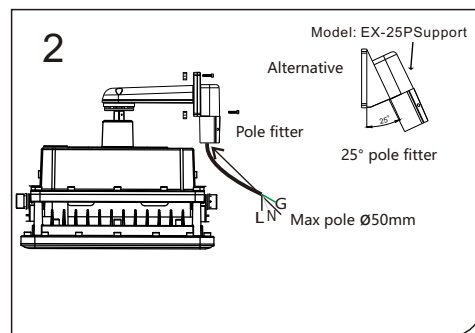
4. Tighten 2x screws to avoid the lamp loosed.

## Stanchion Mounting

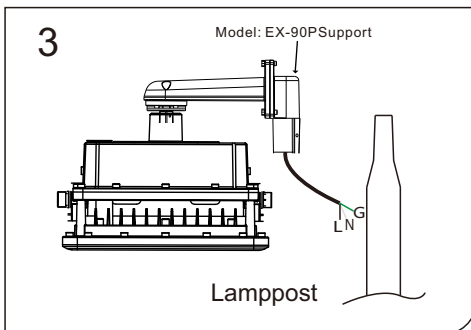
This installation method is only for Model A2 and Model A. It can not be applied on model A3 because model A3 too heavy. Only one electrician is required for this installation.



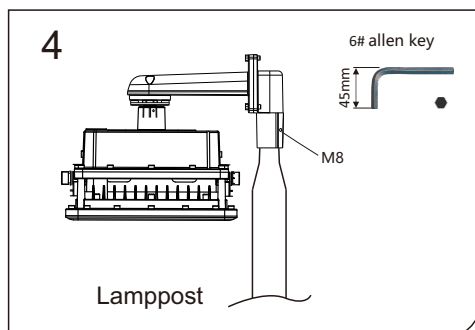
1. Tighten part 2 and assembly 1, and fix the M3 screw, install arm to the adaptor, tighten the M10 via 8# allen key.



2. Install the pole fitter with arm via 4x M8 screws, the max suitable pole diameter 50mm, the alternative 25 degree pole fitter.

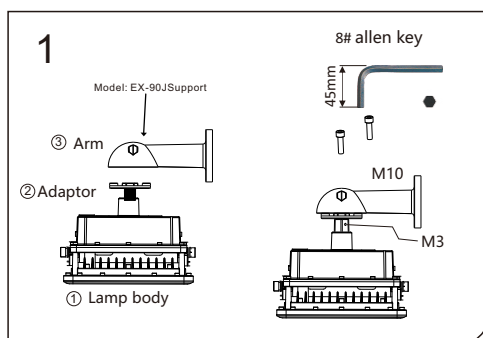


3. Contact the cable to AC wire, connect black cable to L, connect White cable to N, Connect green cable to grounding.

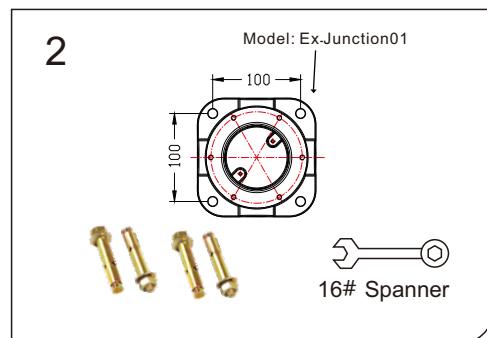


4. Slip the fitter to the lamppost and tighten M8 inner hexagonal screw.

## Wall Mounting to junction box

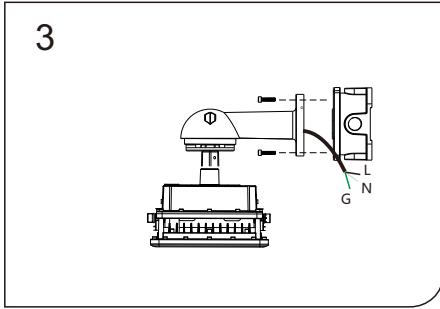


1. Tighten part 2 and assembly 1, and fix the M3 screw, install arm to the adaptor, tighten the M10 via 8# allen key.

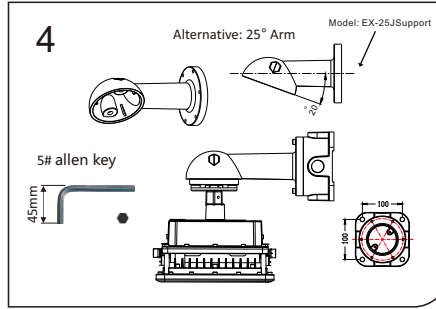


2. Drill 4x Ø10mm holes Install the junction box to the wall via M10 expanded screw.





3. Contact the AC wire to power system, connect black cable to L, connect white cable to N, connect green cable to grounding.



4. Tighten 6 x screws between arm and junction box, turn

## Accessories



● Model: Ex-Junction01  
Name: Junction Box  
Material: Aircraft Aluminum A383



● Model: EX-Hook  
Name: Installation Hook  
Material: Aircraft Aluminum A383



● Model: Ex-Conduit01  
Name: Metal Conduit  
Material: Stainless Steel and Aluminum



● Model: EX-WPipe  
Name: Winding Swing Pipe  
Material: Iron with Power Coating



● Model: EX-SPipe  
Name: Winding Swing Pipe  
Material: Iron with Power Coating



● Model: Ex-D01  
Name: Pendant Direction Adapter  
Material: Aircraft Aluminum A383



● Model: EX-MArm  
Name: Surface Mounting Arm  
Material: Aircraft Aluminum A383



● Model: EX-25PSupport  
Name: 25 Degree Pole Support  
Material: Aircraft Aluminum A383



● Model: EX-90PSupport  
Name: 90 Degree Pole Support  
Material: Aircraft Aluminum A383



● Model: Ex-90JSupport  
Name: 90° Arm to Junction box  
Material: Aircraft Aluminum A383



● Model: Ex-25JSupport  
Name: 25° Arm to Junction box  
Material: Aircraft Aluminum A383



● Model: Ex-DArm  
Name: Direct Mounting Arm  
Material: Aircraft Aluminum A383