

Explosion Proof G Series

LED Low Bay and Spot Light



Materials

- ★ Housing: Copper free aluminum
- ★ Diffuser: Tempered glass
- ★ Bolts: Stainless steel
- ★ Mounting Bracket: Stainless steel

Basic Data

Product number	Wattage	CCT	Voltage Options	Lumens	Warranty	CRI	Emergency Time(Optional)
EX-10W GYZDA	10	2200-7000K	AC 100-277V(by driver) DC 12-48V	1400	5 years	80	3 hours
EX-20W GYZDA	20			2800			
EX-30W GYZDA	30			4200			
EX-40W GYZDA	40			5600			
EX-50W GYZDA	50			7000			

"G"=Product code. "Y"=D or N:Dimmable or non-dimmable "Z"=CCT, from 2200-7000K. "D"=Beam angle, D40 for 40°, D60 for 60°, D90 for 90°, D120 for 120°.

Explosion Protection

Marking UL844 (North American)	Class I, Division 1, Groups C, D Class I, Division 2, Groups A, B, C, D Class II, Division 1, Groups E, F, G Class II, Division 2, Groups F, G Class III
Marine Marking	UL1598, UL1598A ABS
Other Rating	IP 66 IK 10

Applications

Oil and Gas industry

- ★ All petroleum production and refining
- ★ Petroleum loading and transportation
- ★ Petroleum storage and retail
- ★ LNG industry
- ★ All mining operations and service

Chemical industry

- ★ All types of painting facilities
- ★ Chemical production and storage

Ocean, marine and aerospace field

- ★ Ocean platform operation facilities and structure
- ★ Aerospace clean room and production
- ★ Ocean vessel operations

Metal treatment

- ★ Steel and aluminum factories
- ★ Pumping stations in any environment
- ★ Metal smelting, foundry and manufacturing

Food and alcohol industry

- ★ Flour and fine particle production and storage
- ★ Food and distilling production
- ★ Alcohol industry

Other high humidity, dust, high temperature, vapor location

Key Features

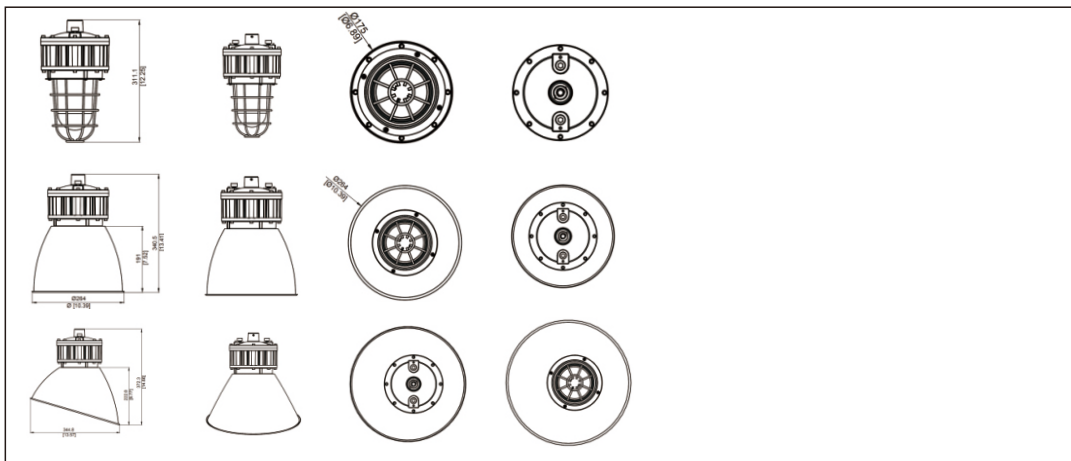
- High quality SMT LED and Meanwell Driver.
- Light-weight design by aircraft aluminum.
- Heavy-duty and high impact resistance.
- Three connection cable entry points.
- Replaceable LED board and drivers.
- Integrated junction box for driver with emergency back up.
- Dimmable and battery back up function available.
- Marine rating powder coated appearance treatment.

Value-Added Features

- 10kv surge protection.
- Up to ten years limited warranty option.
- Emergency Battery back up(Optional).
- Various installation ways for different applications.
- Glass lens or Glass with polycarbonate lens to make wider beam angle.
- Customized motion sensor(Optional).
- Advanced smart system: WIFI & BLUE-TOOTH(Optional).
- Working Temperature: -40°C ~ +65°C.

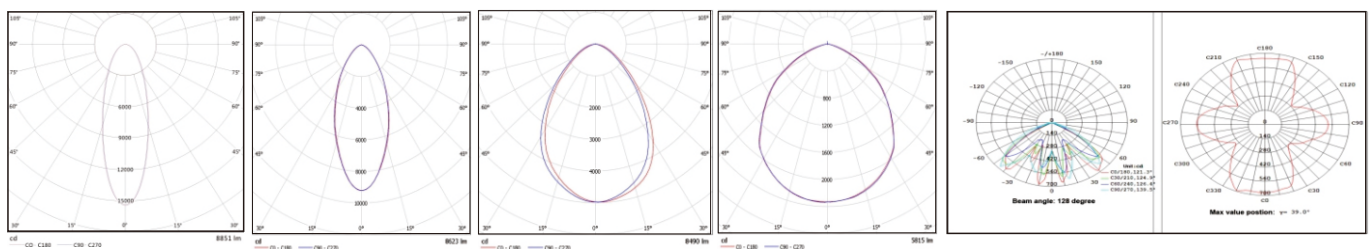
Mechanical Structure

Unit: mm or inch



This structure type with bracket, flat glass and optical lens to generate 40°, 60°, 90° and 120° light distribution.

Lighting Distribution



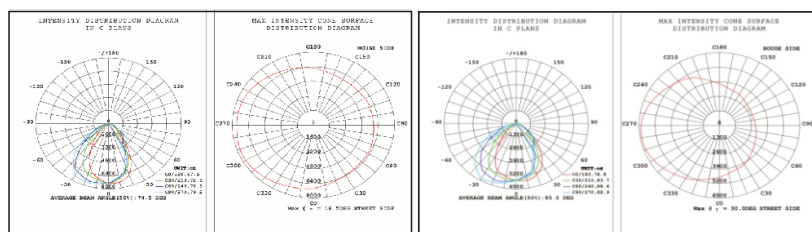
Beam Angle 40°
Test Model: ES-40R QD0000
Flat Glass Lens

Beam Angle 60°
Test Model: ES-60R QD0000
Flat Glass Lens

Beam Angle 90°
Test Model: ES-90R QD0000
Flat Glass Lens

Beam Angle 120°
Test Model: ES-120R QD0000
Flat Glass Lens

Spherical Glass Lens



Spherical Glass Lens with Lampshade

Spherical Glass Lens with Cutted Lampshade

Installation Manual

WARNING

READ INSTRUCTIONS CAREFULLY BEFORE INSTALLING. KEEP THIS INSTRUCTIONS FOR FUTURE REFERENCE. Fixtures must be wired in accordance with the National electrical code and all applicable local codes. Proper grounding is required for safety. THIS PRODUCT MUST BE INSTALLED IN ACCORDANCE WITH THE APPLICABLE INSTALLATION CODE BY QUALIFIED ELECTRICIAN WHO IS FAMILIAR WITH THE CONSTRUCTION AND OPERATION OF THE PRODUCT AND THE HAZARDOUS INVOLVED.

Warning: Risk of fire or electric shock. Flood light installation requires knowledge of luminaires and electrical systems. DO NOT open the enclosure when energized. DO NOT try to install if not qualified. Please contact a professional electrician.

Warning: Risk of fire or electric shock. Suitable for wet locations. Make sure the power is off prior to installation.

Warning: Risk of fire or electric shock. Suitable for non-insulated surface and frame. DO NOT cover fixture with insulation liner or similar material.

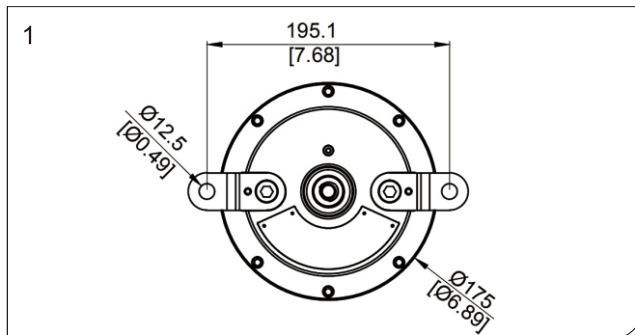
Warning: DO NOT install in unstable, loose or breakable surfaces.

Warning: DO NOT let objects impact or exert force on the surface of the fixture.

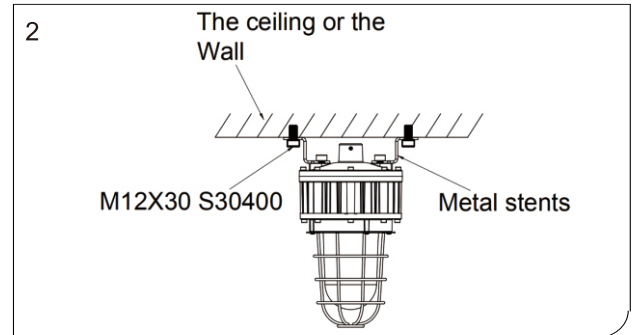


⚠ WARNING
Risk of fire, Electric shock or personal injury
Please turn off power before installation!

Ceiling Mounting

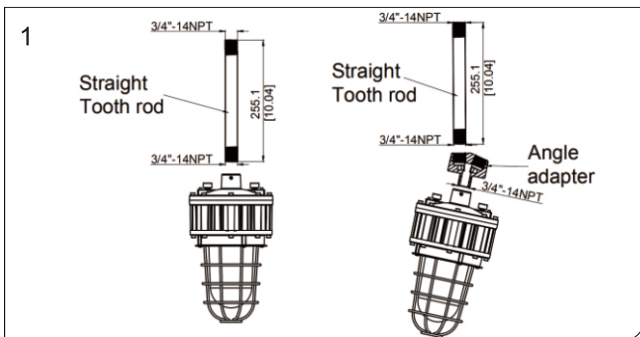


1. Punch tapping on the top of the mounting.

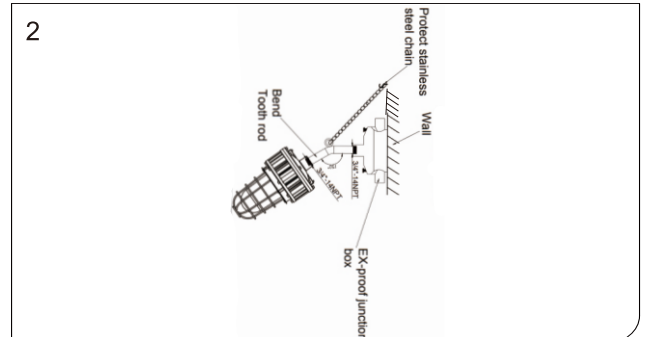


2. Fix the lamp to the top with bolts.

Pendant Mounting

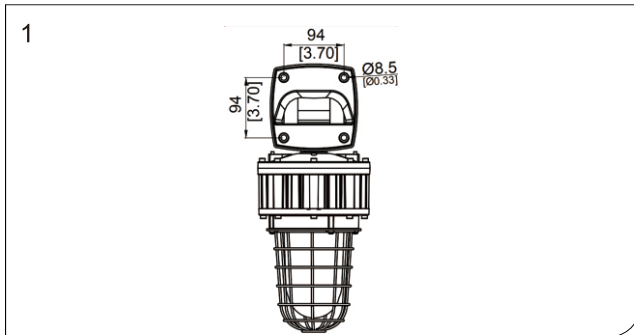


1. Sea the ring until the lamp body and the joint are tightened in the junction box, and tighten the set screw.

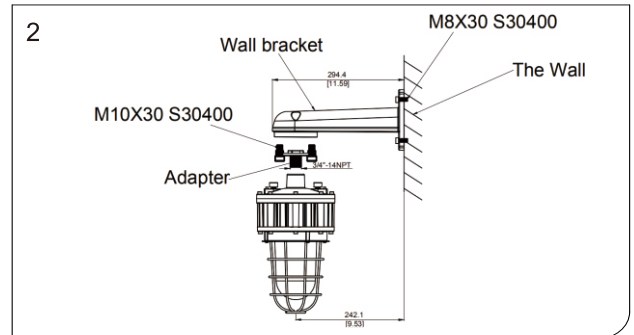


2. Pass the connector through the cable, screw in the steel tube, tighten the set screw, and then thread the cable through the spacer.

Wall mounting

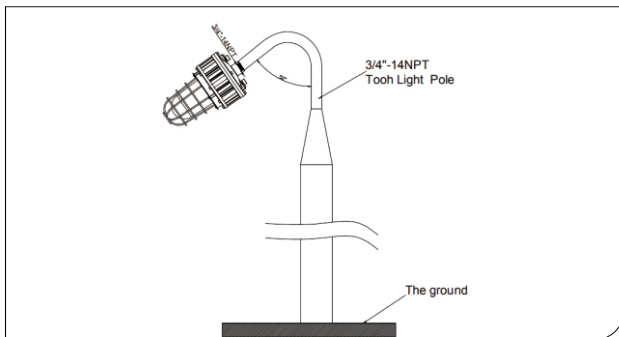


1. Mount the lamp body on the wall through the bracket, and then pass the cable through the connector, gasket, and seal ring in sequence to the junction box.



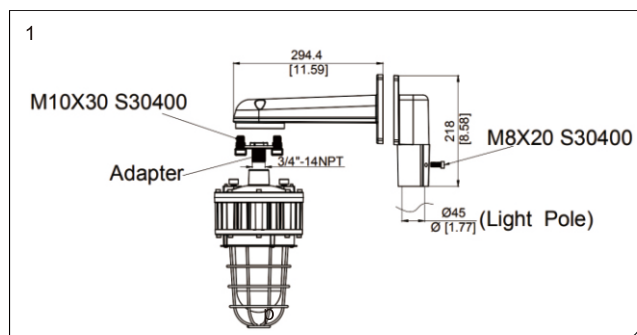
2. Fix the lamp.

Pole Mounting

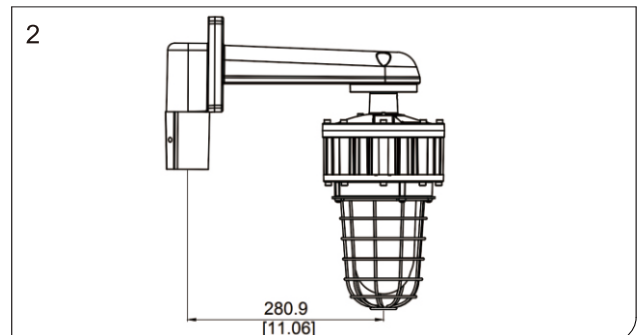


Mount the lamp on the pole.

Light pole mounting



1. Punch tapping on the top of the mounting .



2. Tighten the set screw.

Packing Information

Model	Quantity/Ctn	Length(cm)	Width (cm)	Height(cm)	Net(Kg)	Gross(Kg)
G	1	38	26.5	25.5	4.65	5.4
G(+25°pole stanchion)	1	51	56	26	6.5	8

Accessories



- Model: Ex-Junction01
Name: Junction Box
Material: Aircraft Aluminum A383



- Model: EX-Hook
Name: Installation Hook
Material: Aircraft Aluminum A383



- Model: Ex-Conduit01
Name: Metal Conduit
Material: Stainless Steel and Aluminum



- Model: EX-WPipe
Name: Winding Swing Pipe
Material: Iron with Powder Coating



- Model: EX-SPipe
Name: Winding Swing Pipe
Material: Iron with Powder Coating



- Model: Ex-D01
Name: Pendant Direction Adapter
Material: Aircraft Aluminum A383



- Model: Ex-Junction01
Name: Chain
Material: Stainless Steel S30400



- Model: EX-25PSupport
Name: 25 Degree Pole Support
Material: Aircraft Aluminum A383



- Model: EX-90PSupport
Name: 90 Degree Pole Support
Material: Aircraft Aluminum A383



- Model: Ex-90JSupport
Name: 90° Arm to Junction box
Material: Aircraft Aluminum A383



- Model: Ex-25JSupport
Name: 25° Arm to Junction box
Material: Aircraft Aluminum A383