



# Explosion Proof Light H Series



**Industrial Field & Hazardous Locations**

**VENAS**

**Venas Co.,Ltd**

Flat/Rm 1101D,11/F Lippo Sun Plaza 28,Canton Road, Tsim Sha Tsui, HongKong.

[Cady@venas.com](mailto:Cady@venas.com)

[www.venas.com](http://www.venas.com)

# Applications

## Oil and Gas industry

- All petroleum production and refining
- Petroleum loading and transportation
- Petroleum storage and retail
- LNG industry

- All mining operations and service

## Chemical industry

- All types of paint facilities
- Chemical production and storage

## Ocean, marine and aerospace field

- Ocean platform operation facilities and structure
- Aerospace clean room and production
- Ocean vessel operations

## Metal treatment

- Steel and aluminum factories
- Pumping stations in any environment
- Metal smelting, foundry and fabrication

## Food and alcohol industry

- Flour and fine particle production and storage
- Food and distilling production
- Alcohol industry

Other high humidity, high dust, high temperature, vapor locations



# Explosion Protection

Marking Atex

II3 G Ex ec IIC T5/T6 Gc

II2 D Ex tb IIIC T80/100°C Db IP66

Marking IECEX

Ex ec IIC T5/T6 Gc

Ex tb IIIC T80/100°C Db IP66

Marking UL844(North American)

Class I, Division 2, Groups A, B, C, D

Class II, Division 1, Groups E, F, G

Class II, Division 2, Groups F, G

Class III

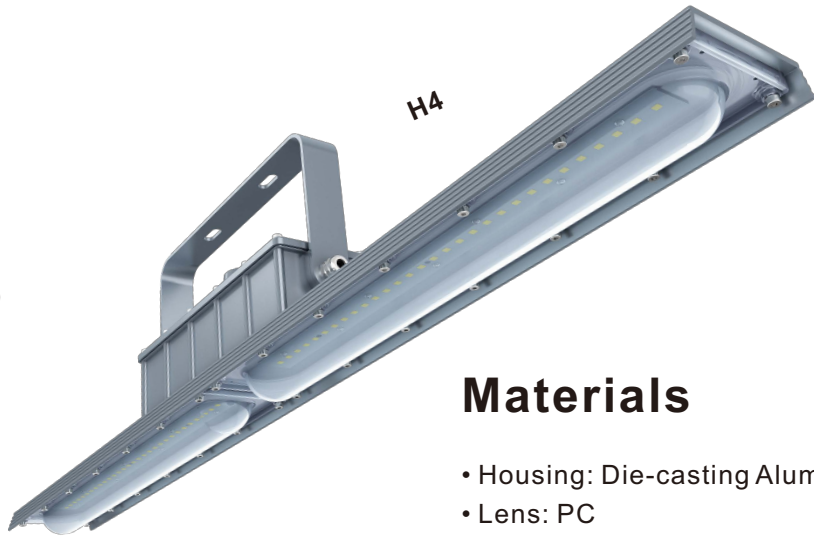
Marking Marine

UL1598, UL1598A

ABS

Other Rating

IP 66



## Materials

- Housing: Die-casting Aluminum
- Lens: PC
- Hardware: stainless steel
- Mounting Bracket: stainless steel



## Specification

Product Number	Wattage	Color Temperature	Voltage	Lumens	Warranty	CRI
EX-20W H2YZDA	20	2200K-7000K	AC100-277V IC 100-277V AC 200-480V DC 12-48V	2800	5 years	80
EX-40W H2YZDA	40			5600		
EX-40W H4YZDA	40			5600		
EX-60W H4YZDA	60			8400		
EX-80W H4YZDA	80			11200		

"H2, H4"=Product code "Y"=D or N: Dimmable or Non-dimmable "Z"=CCT, from 2200~7000K "D"=Beam angle, D120 for 120°. A for cover info. blank for flat cover, C spherical cover.

## Packing Information

Model	Quantity / Ctn	Length(cm)	Width (cm)	Height(cm)	Net weight(kg)	Gross weight (kg)
H2	2	69.1	41.3	29	4	9
H4	2	130	40	29.5	5.5	14.5

## Light Distribution

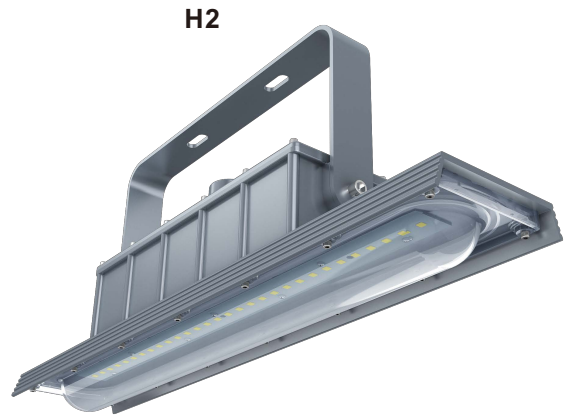
120D

Center Beam fc	Beam Width
10ft	25fc 30ft 34ft
20ft	6fc 59ft 67ft
30ft	3fc 89ft 100ft
40ft	1fc 148ft 134ft
50ft	0.6fc 178ft 168ft

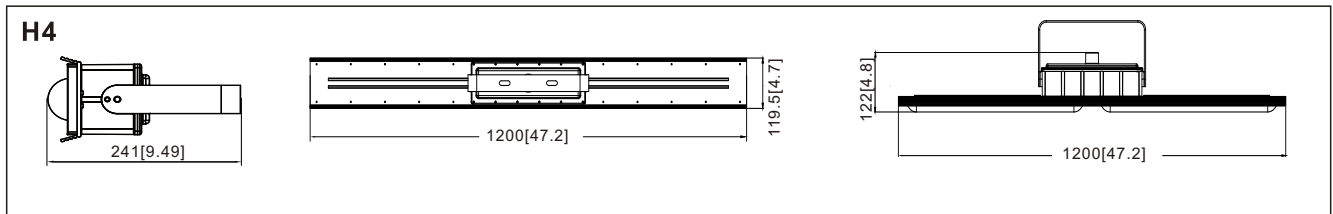
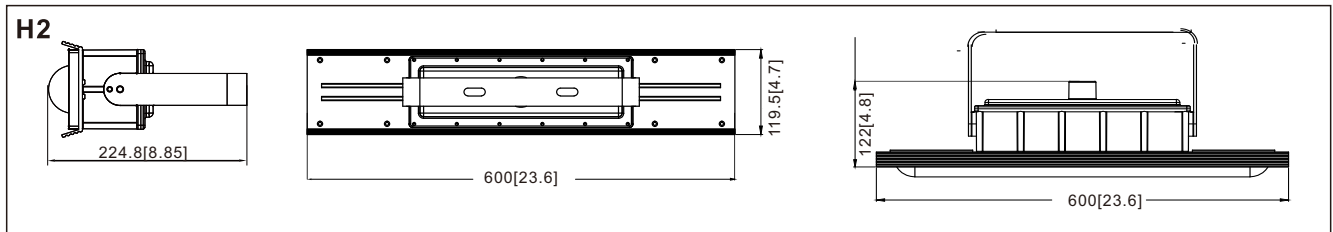
■ Vert, Spread; 120°  
■ Horiz, Spread; 120°

# Features

- Working Temperature: -40°C ~ +60°C.
- High quality SMT LED and Meanwell Driver.
- Light-weight design by aircraft aluminum.
- Heavy-duty and high impact resistance.
- Three connection cable entry points.
- Replaceable LED board and drivers.
- Integrated junction box for driver with emergency back up.
- Dimmable and battery back up function available.
- Marine rating powder coated appearance treatment.
- Up to 5 years limited warranty option.
- Emergency Battery back up to three hours.
- Various installation ways for different applications.
- Glass lens or Glass with polycarbonate lens to make bigger beam angle.

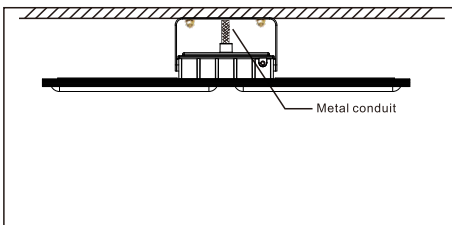


# Dimension Unit: mm or inch

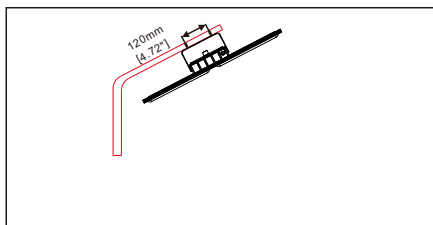


# Mounting

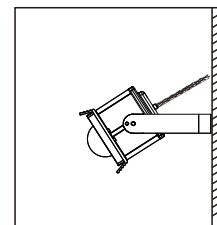
No.1 Ceiling Mounting



No.2 Pole Bracket Mounting



No.3 Wall Mounting



# Accessories

Bracket



Metal Conduit



Bended Pipe

