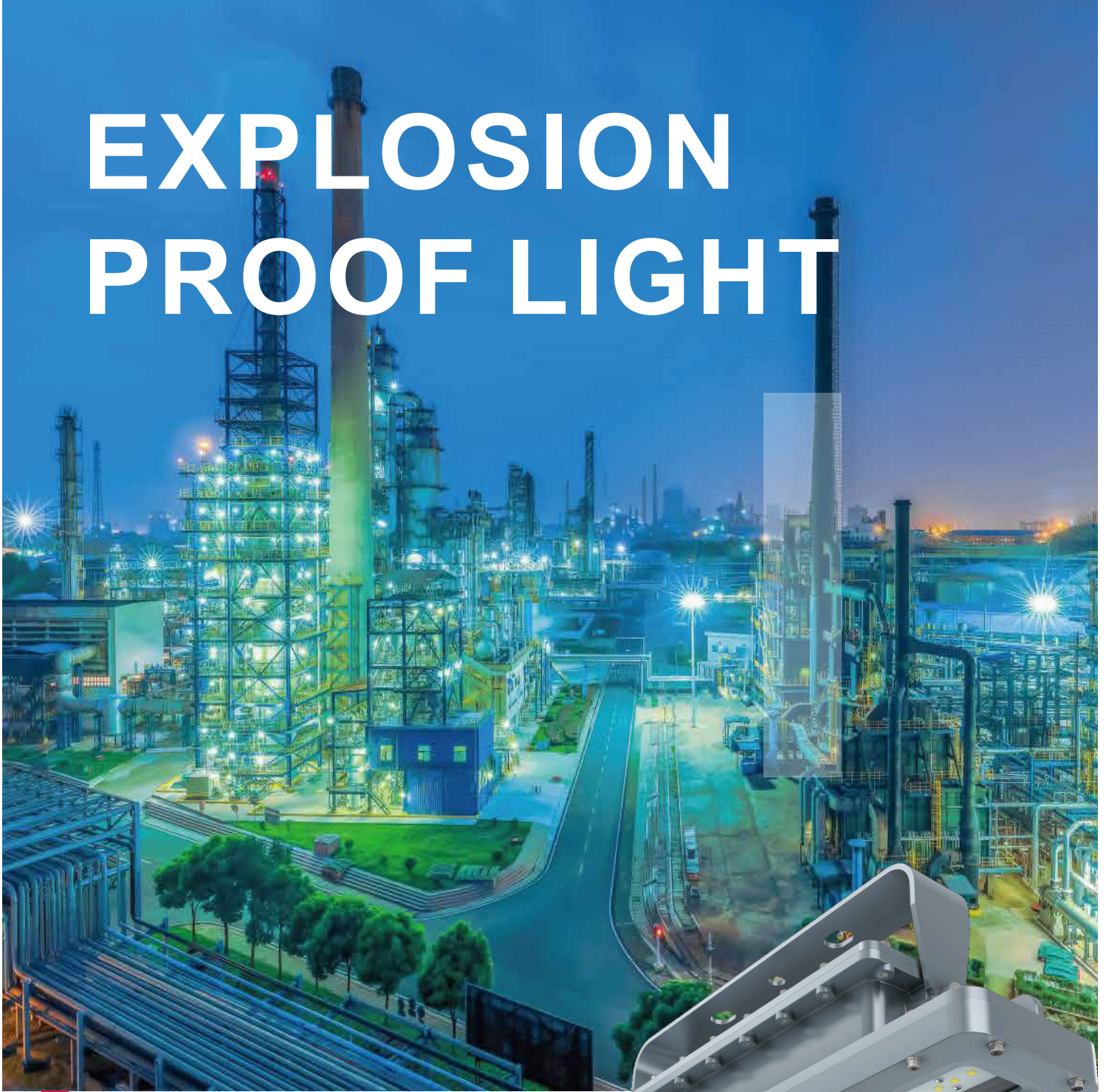


# EXPLOSION PROOF LIGHT



20W/40W/50W/60W  
80W/100W/120W

## I Series

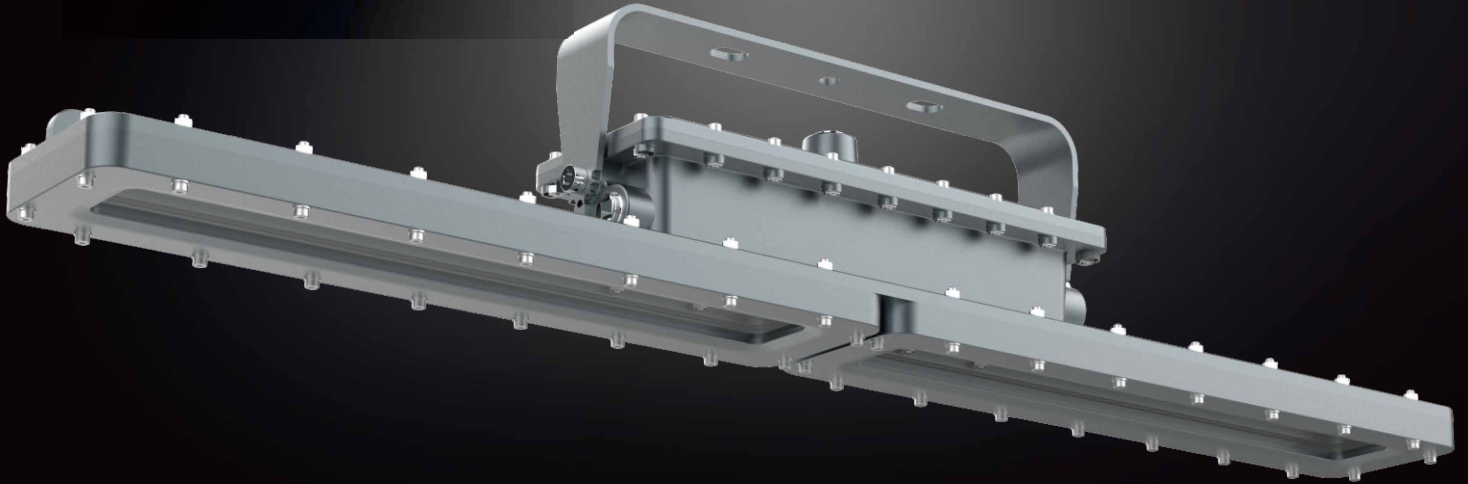
**Venas Co.,Ltd**

Flat/Rm 1101D,11/F Lippo Sun Plaza 28, Canton Road, Tsim Sha Tsui, HongKong

[cady@venas.com](mailto:cady@venas.com) US +1(973) 960-1877

[www.venas.com](http://www.venas.com)

**VENAS**



## APPLICATIONS

### Oil and Gas industry

- All petroleum production and refining
- Petroleum loading and transportation
- Petroleum storage and retail
- LNG industry
- All mining operations and service

### Chemical industry

- All types of paint facilities
- Chemical production and storage

### Ocean, marine and aerospace field

- Ocean platform operation facilities and structure
- Aerospace clean room and production
- Ocean vessel operations

### Metal treatment

- Steel and aluminum factories
- Pumping stations in any environment
- Metal smelting, foundry and fabrication

### Food and alcohol industry

- Flour and fine particle production and storage
- Food and distilling production
- Alcohol industry

### Other high humidity, high dust, high temperature, vapor locations

# EXPLOSION PROTECTION

## Marking ATEX

II2 G Ex db IIB T4/T5 Gb  
II2 D Ex tb IIIC T135°C Db IP66

## Marking IECEx

Ex db IIB T4/T5 Gb  
Ex tb IIIC T135°C Db IP66

## Marking UL844 (North American)

Class I, Division 1, Groups C, D  
Class I, Division 2, Groups A, B, C, D  
Class II, Division 1, Groups E, F, G  
Class II, Division 2, Groups F, G  
Class III

## Marking Marine

UL1598, UL1598A  
ABS

## Other Rating

IP 66



14



# MATERIALS

- Housing: Copper-free aluminum
- Lens: Glass
- Hardware: Stainless steel
- Mounting Bracket: Stainless steel

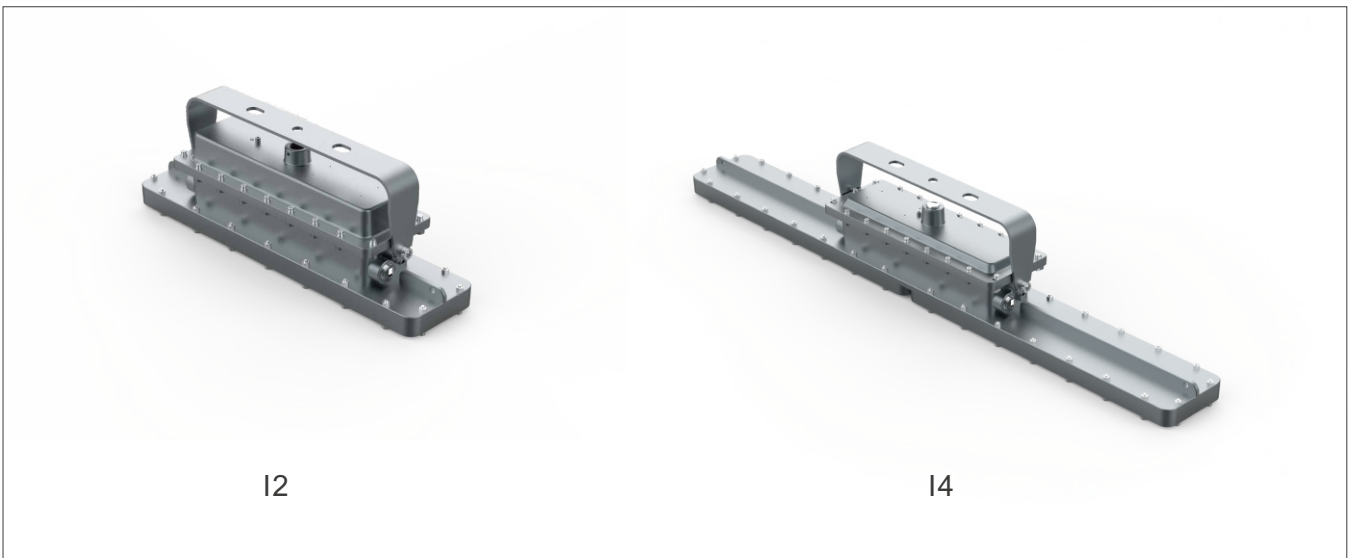


# FEATURES



I2

- Working Temperature: -40°C ~ +60°C.
- High quality SMT LED and Meanwell Driver.
- Heavy-duty and high impact resistance.
- Replaceable LED board and drivers.
- Integrated junction box for driver .
- Dimmable and battery back up function available.
- Marine rating powder coated finish treatment.
- Up to 5 years warranty.
- Polycarbonate lens to make various beam angles.



I2

I4

# LIGHT DISTRIBUTION

Center Beam fc	Beam Width
4ft	2008fc
8ft	480fc
12ft	2037fc
16ft	115fc
20ft	98fc

Center Beam fc	Beam Width
4ft	4ft
8ft	7ft
12ft	11ft
16ft	15ft
20ft	19ft

■ Vert, Spread; 40°  
■ Horiz, Spread; 40°

40D

Center Beam fc	Beam Width
4ft	1434fc
8ft	3437fc
12ft	145fc
16ft	81fc
20ft	69fc

Center Beam fc	Beam Width
4ft	6ft
8ft	11ft
12ft	17ft
16ft	22ft
20ft	27ft

■ Vert, Spread; 60°  
■ Horiz, Spread; 60°

60D

Center Beam fc	Beam Width
4ft	1024fc
8ft	2557fc
12ft	105fc
16ft	58fc
20ft	39fc

Center Beam fc	Beam Width
4ft	8ft
8ft	15ft
12ft	24ft
16ft	32ft
20ft	39ft

■ Vert, Spread; 90°  
■ Horiz, Spread; 90°

90D

Center Beam fc	Beam Width
4ft	683fc
8ft	1707fc
12ft	73fc
16ft	39fc
20ft	26fc

Center Beam fc	Beam Width
4ft	11ft
8ft	21ft
12ft	32ft
16ft	43ft
20ft	53ft

■ Vert, Spread; 120°  
■ Horiz, Spread; 120°

120D

# SPECIFICATION

Product Number	Wattage	Color Temperature	Voltage	Lumens	Warranty	CRI	Emergency Time
EX-20W I2YZDA EX-40W I2YZDA EX-50W I2YZDA EX-60W I2YZDA	20W 40W 50W 60W	2200K-7000K	AC100-277V/DC12-36V AC200-480V	2800 5600 7000 8400	5 Years	80	3 Hours
EX-60W I4YZDA EX-80W I4YZDA EX-100W I4YZDA EX-120W I4YZDA	60W 80W 100W 120W	2200K-7000K	AC100-277V/DC12-36V AC200-480V	8400 12000 14000 16800	5 Years	80	3 Hours

"I2,I4"=Product code."Y"= D or N D:Dimmable or N: non-dimmable "Z"= CCT, from 2200-7000k, 22 for 2200k...70 for 7000K .  
 "D"=Beam angle, D40 for 40°, D60 for 60°, D90 for 90°, D120 for 120°.  
 "A"=glass info. blank for flat glass, C for spherical glass.

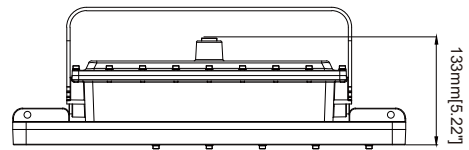
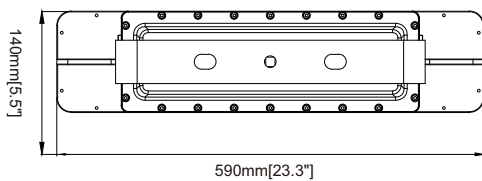
# PACKING INFORMATION

Model	Quantity/Carton	Length(mm)	Width(mm)	Height(mm)	Net weight(kg)	Gross weight(kg)
I2	1	770mm	340mm	265mm	12kg	14kg
I4	1	1360mm	340mm	265mm	18.5kg	21.5kg

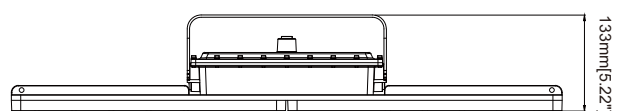
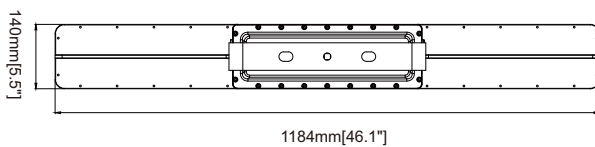
# DIMENSION

Unit: mm or inch

I2

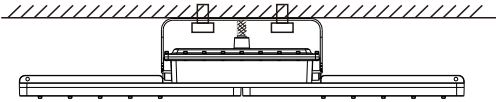


I4

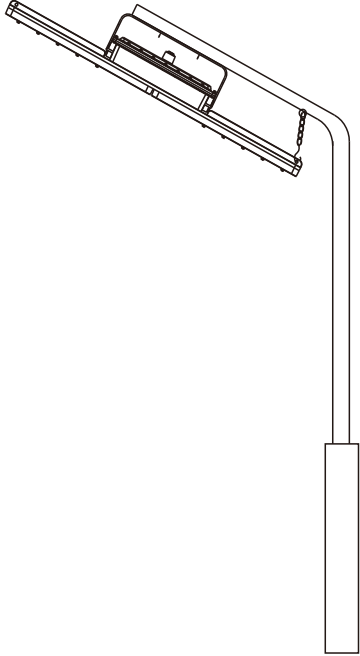


# MOUNTING

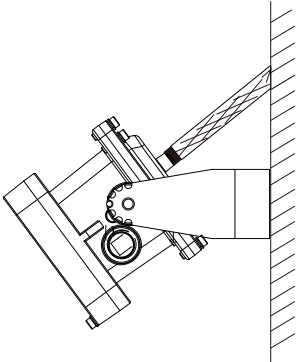
1	3
2	3
4	5



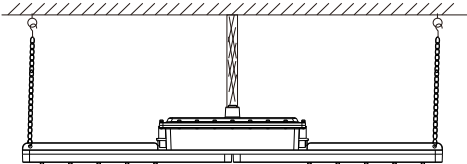
No.1: Ceiling Mounting



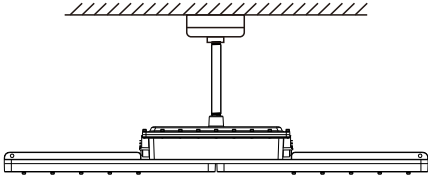
No.2: Pole Bracket Mounting



No.3: Wall Mounting



No.4: Chain Mounting



No.5: Pole pendant Mounting

# ◎ ACCESSORIES



- **Model: Ex-Junction01**  
Name: Junction Box  
Material: Aircraft Aluminum A383



- **Model: EX-SPipe**  
Name: Winding Swing Pipe  
Material: Iron with Power Coating



- **Model: Ex-Conduit01**  
Name: Metal Conduit  
Material: Stainless Steel and Aluminum



- **Model: EX-WPipe**  
Name: Winding Swing Pipe  
Material: Iron with Power Coating



- **Model: Ex-Chain**  
Name: Pendant Chain  
Material: Stainless Steel S30400



- **Model: Ex-Bracker**  
Name: U-bracket  
Material: Material: Stainless Steel