

# O Series

## LED Explosion Proof Light

VENAS



### Classifications:

- ◆ ATEX Marking
  - ◆ II 2 G Ex eb mb IIC T6 Gb
  - ◆ II 2 D Ex tb IIIC T80 Db IP66
- ◆ IECEx Marking
  - ◆ Ex Eb mb IIC T6 Gb
  - ◆ Ex tb IIIC T80 Db IP66
- ◆ UL844 Marking (North American)
  - ◆ Class I, Division 2, Groups A, B, C, D
  - ◆ Class II, Division 2, Groups E, F, G
  - ◆ Class II, Division 2, Groups F, G
  - ◆ Class III
- ◆ Marine Marking
  - ◆ UL 1598A
- ◆ Other Rating
  - ◆ IP66

### Standard Materials:

- ◆ Housing: Copper free aluminum
- ◆ Lens: Tempered glass (frosted lens or clear lens are available.)

## LED Explosion Proof Light - O Series

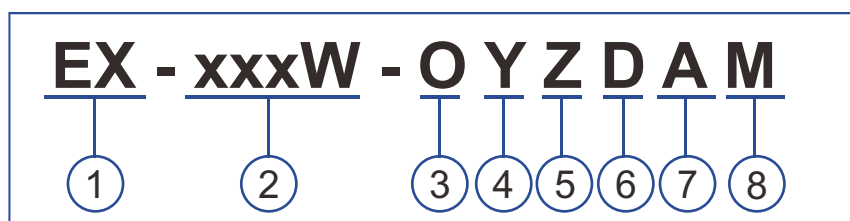
### Key Features:

- ◆ Compact structure, small size and light weight for easy installation.
- ◆ High vibration and impact resistance.
- ◆ Protective metal cage against potential damage.
- ◆ Tempered glass for high heat resistance.
- ◆ Mounting ways: pendant, wall and end bracket mountings.
- ◆ Beam angles are optional: 40°/60°/90°/120°.
- ◆ Low temperature applications to -40°C (-40°F) and high temperature up to 60°C (140°F).
- ◆ Power Factor: > 0.9
- ◆ Outlet: regular 1 meter.
- ◆ Environmentally Friendly 50,000 hours lifespan.
- ◆ Waterproof and dust-proof, without internal cleaning and maintenance.
- ◆ 5-year warranty.

### Applications:

- ◆ Oil and gas industry
  - All petroleum production and refining
  - Petroleum loading and transportation
  - Petroleum storage and retail
  - LNG industry
  - All mining operations and service
- ◆ Ocean, marine and aerospace field
  - Ocean platform operation facilities
  - Aerospace clean room and production
  - Ocean vessel operations
- ◆ Chemical industry
  - All types of paint facilities
  - Chemical production and storage
- ◆ Metal treatment
  - Steel and aluminum factories
  - Pumping stations in any environment
  - Metal smelting, foundry and fabrication
- ◆ Food and alcohol industry
  - Flour and fine particle production and storage
  - Food and distilling production
  - Alcohol industry

### Ordering Guide:



- |   |   |   |   |
|---|---|---|---|
| <p>① <b>PRODUCT CATEGORY</b></p> <ul style="list-style-type: none"> <li>◆ Explosion proof product</li> </ul>  | <p>② <b>WATTAGE</b></p> <ul style="list-style-type: none"> <li>◆ 10W/20W/30W/40W</li> </ul>   | <p>③ <b>PRODUCT SERIES</b></p> <ul style="list-style-type: none"> <li>◆ O= O Series</li> </ul>  | <p>④ <b>DIMMING OPTION</b></p> <ul style="list-style-type: none"> <li>◆ D= Dimmable</li> <li>◆ N= Non-dimmable</li> </ul>   |
| <p>⑤ <b>CCT</b></p> <ul style="list-style-type: none"> <li>◆ Z can be 22, 30, ... 70.</li> <li>◆ 22=2200K, 30=3000K, ...</li> <li>◆ 70=7000K</li> </ul> | <p>⑥ <b>BEAM ANGLE</b></p> <ul style="list-style-type: none"> <li>◆ D40= 40°</li> <li>◆ D60= 60°</li> <li>◆ D90= 90°</li> <li>◆ D120= 120°</li> </ul> | <p>⑦ <b>GLASS INFORMATION</b></p> <ul style="list-style-type: none"> <li>◆ A can be "C", denotes Globe glass and wire guard, which are the standard parts of the end product.</li> <li>◆ Frosted lens or clear lens are available.</li> </ul> | <p>⑧ <b>MOUNTING STYLE</b></p> <ul style="list-style-type: none"> <li>◆ M1: Ceiling Mounting</li> <li>◆ M2: Pole Mounting</li> <li>◆ M3: 90 Degree Wall Mounting</li> </ul> |

## LED Explosion Proof Light - O Series

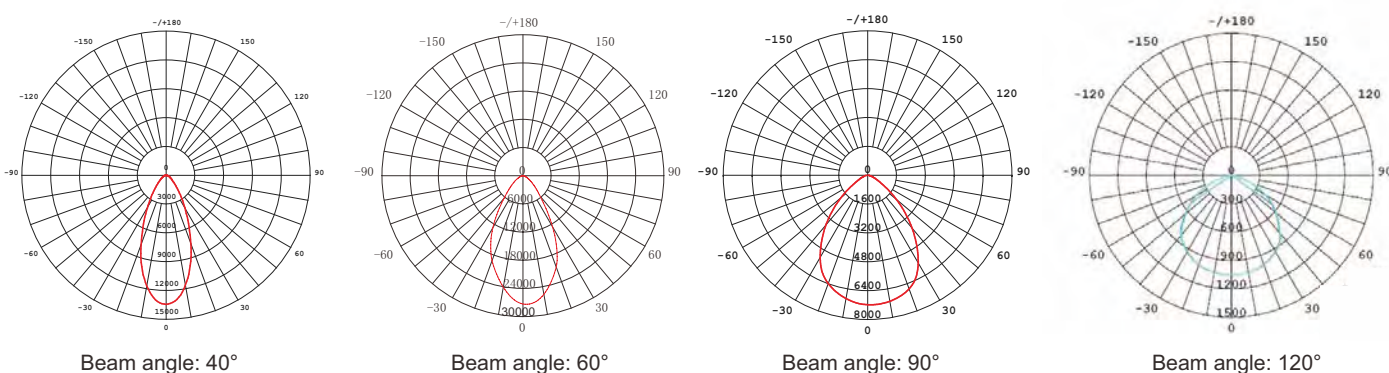
### Technical Data:

Model	Wattage	Operating Voltage	Total Lumens (lm)	CRI	CCT
EX-10W OYZDAM	10W	AC100-277/220-480V; DC12-36V	950	>70	2200K-7000K
EX-20W OYZDAM	20W	AC100-277/220-480V; DC12-36V	1,900	>70	2200K-7000K
EX-30W OYZDAM	30W	AC100-277/220-480V; DC12-36V	2,850	>70	2200K-7000K
EX-40W OYZDAM	40W	AC100-277/220-480V; DC12-36V	3,800	>70	2200K-7000K

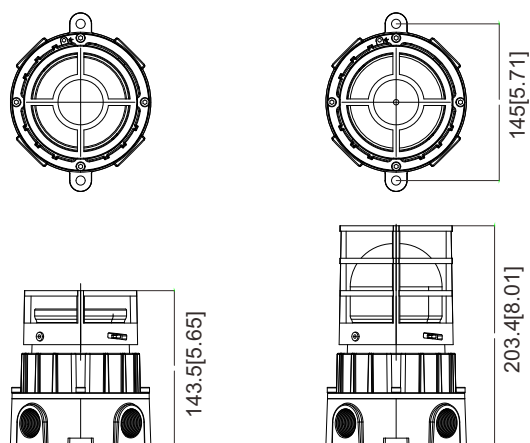
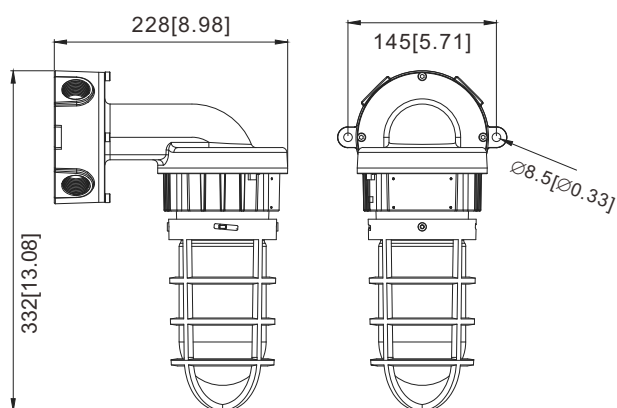
### Packing Information:

Model	Quantity/Carton	Packing Size	Net Weight	Gross Weight
EX-10W OYZDAM	1 PC	10.43x14.96x10.04inch	4.62kg/10.25lbs	5.4kg/11.90lbs
EX-20W OYZDAM	1 PC			
EX-30W OYZDAM	1 PC			
EX-40W OYZDAM	1 PC			

### Photometry:



### Dimensions: unit: mm[inch]

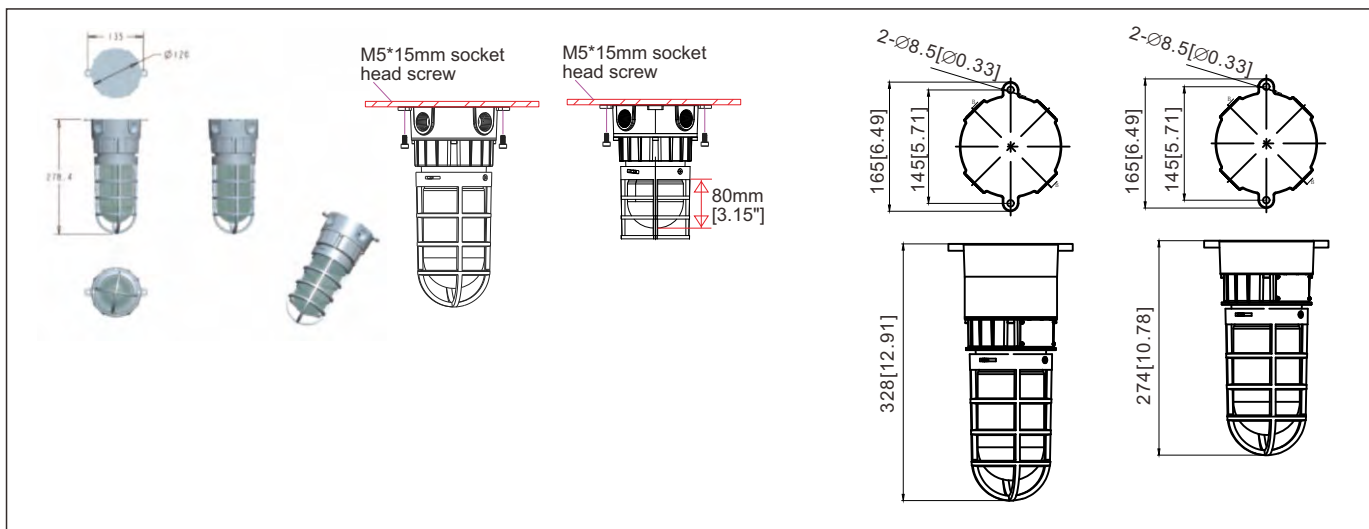


Dimension for Flat Guard  
Thickness of glass: 4.5mm

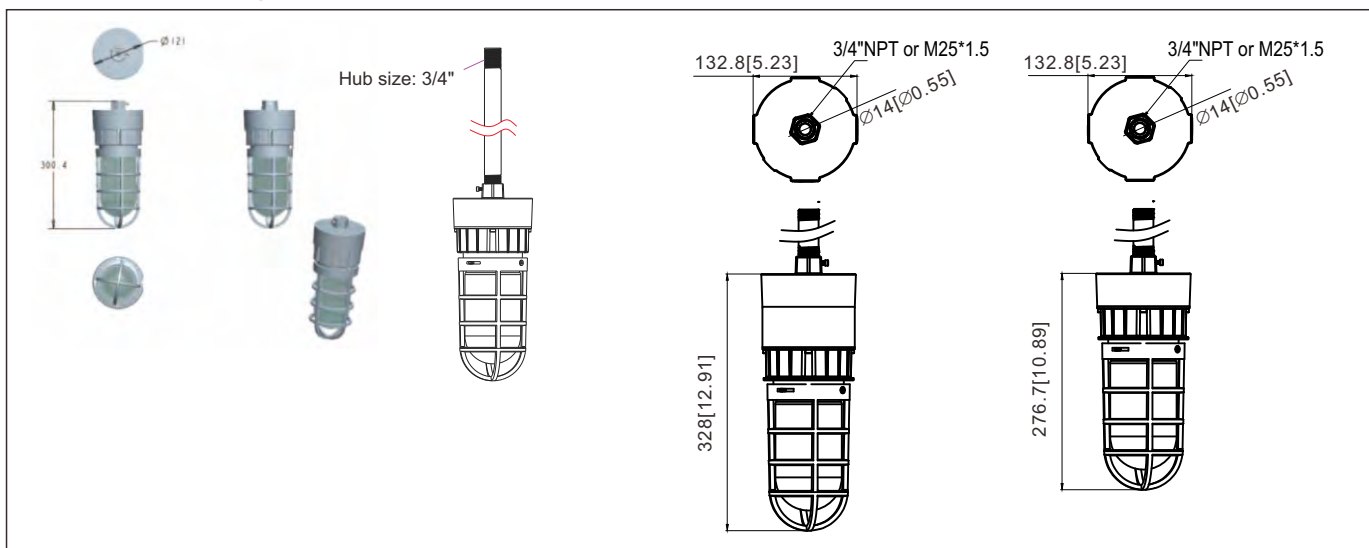
LED Explosion Proof Light - O Series

Mounting: unit: mm[inch]

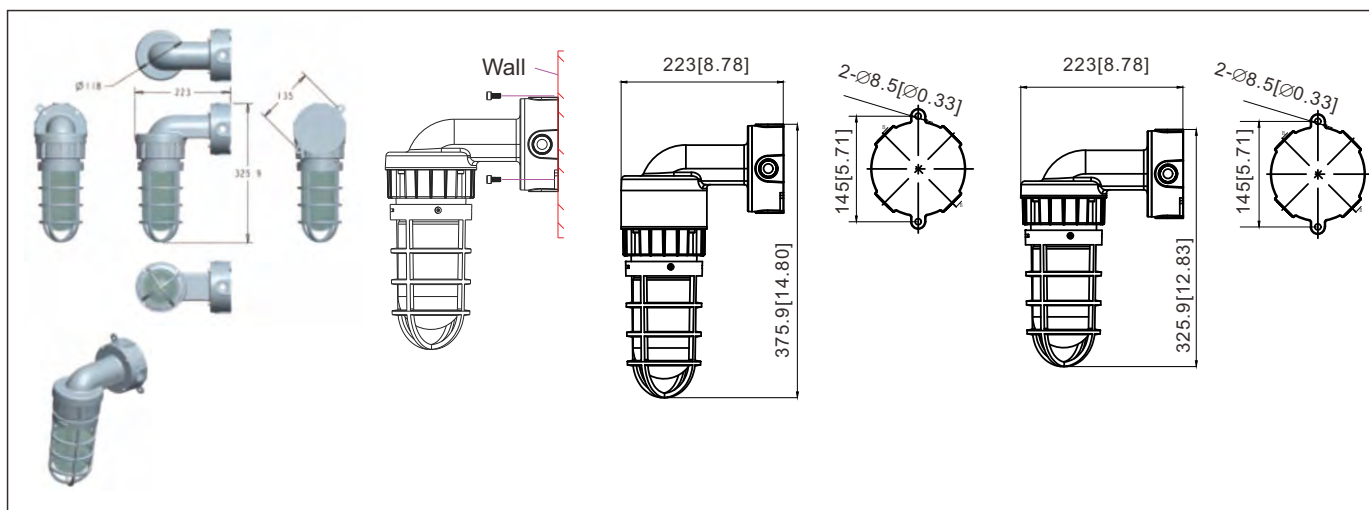
◆ Ceiling Mounting:



◆ Pole Mounting:



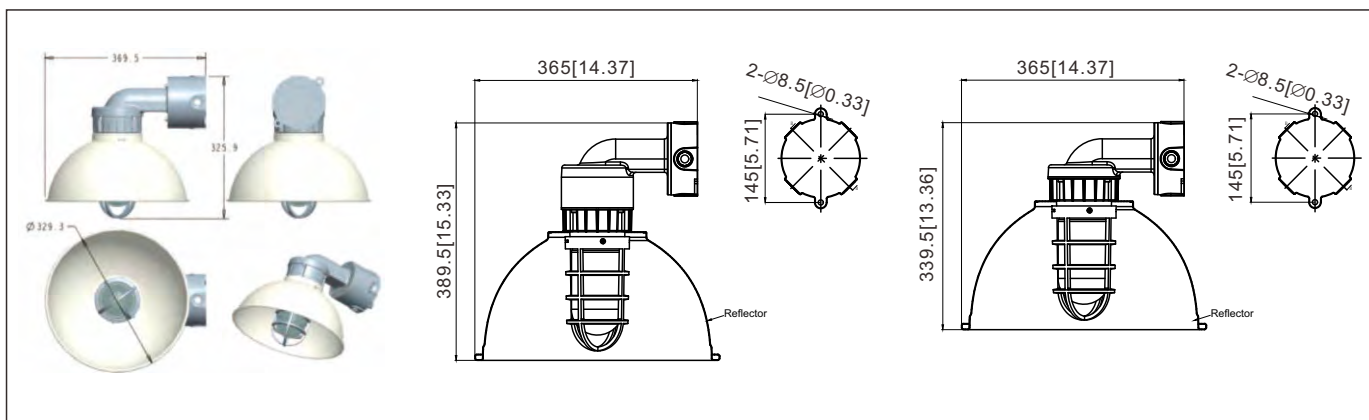
◆ 90° Wall Mounting:



**LED Explosion Proof Light - O Series**

Mounting: unit: mm[inch]

◆ 90° Walling Mounting with Reflector:



**Accessories:**



Pendent



Ceiling/Wall



Ceiling/Wall (Interior Detail)



Wall Elbow



Reflector



Extension



Globe Glass



Globe Guard



Heat Sink



Clear



Flat Glass



Flat Guard



Main Part