

# R Series

## Explosion Proof Linear Light



### Product Description:

The EX-R series linear vapor tight is designed for use in hazardous locations that feature the presence of flammable gases, vapors, or liquids during normal facility operations. The combination of the style and design of new LED technology with the ruggedness and durability of a hazardous location fixture makes it ideal for retrofit of existing HPS/MH and offers higher efficacy for energy savings, lower maintenance costs and quicker paybacks. The optional battery backup system provides a minimum of 90 minutes operation after AC power is lost during an emergency. It operates with 120 or 277V dual voltage.



### Certifications:

- UL844– Hazardous Locations  
Class I, Division 2, Groups A, B, C, D  
Class II, Division 2, Groups F, G  
Class III
- UL 1598 - Luminaires
- UL 8750 - Light Emitting Diode (LED)  
Equipment for use in Lighting Product
- UL924 - Emergency Lighting Equipment
- DLC 5.1
- ABS
- IP66  
IK10

### Features:

- UV stabilized, impact-resistant fiberglass reinforced polycarbonate lens.
- Available in two and four foot lengths.
- Ceiling, rope and pole mount
- Suitable for dead end, through feed\* or single-ended "T" wiring
- Maximum total wattage for interconnection is 150 W
- Operating ambient: -40°C to +50°C
- T-rating of T5 / T6
- Replaceable LED light strip
- Optional emergency battery back-up (self-contained min. 90 minute with Push-to-test button and LED charging indicators)

### Applications:

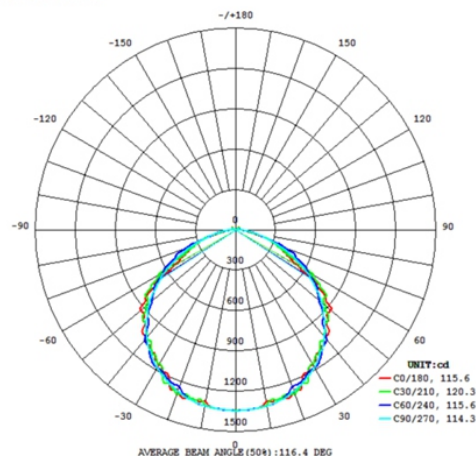
- Locations requiring continuous and consistent light levels.
- Marine applications, such as engine rooms, decks and walkways.
- Pulp and paper production facilities.
- Water/wastewater treatment facilities.
- Petrochemical facilities.

### Warranty:

- 3-Year Standard Warranty for Battery Backup and 5-Year Standard Warranty for Fixture
- 50,000-hour LED lifespan based on IES LM-80 results and TM-21 calculations

### Photometric:

Light Distribution Curve



### Ordering Information:

Ex	-30W	R2	N	50	D120	C	X	XX
1	2	3	4	5	6	7	8	9

1. Model Series	2. Wattage	3. House Length	4. For All Luminaires	5. Color Temp.
Explosion-proof Light	-30: 30W -40: 40W -50: 50W -60: 60W	R2: 2 feet R4: 4 feet	N: 0-10V Dimming AC120-277V 50/60Hz	27: 2700K 40: 4000K 50: 5000K

6. Beam Angle	7. Mounting Means	8. Lens Type*	9. Emergency Back Up*
D120: 120°	C: Ceiling mount R: Rope mount P: Pole mount	Blank=Transparent PC F = Diffuse PC	Blank=w/o EM EM = w/ EM

\*: Suffix not within nomenclature as per UL Certification, for marketing purpose only

## R Series Explosion Proof Linear Light

## Technical Parameter:

Note: All values are typical (tolerance +/- 10%)

## Electrical

Specification		Ex-30WR2	Ex-40WR2	Ex-50WR4	Ex-60WR4
Rated Power		30W	40W	50W	60W
Input Voltage		AC120-277V			
Input Frequency		50/60Hz			
Input Current		0.62/0.21A	0.62/0.21A	0.62/0.21A	1.0/0.38A
THD	AC120V	1.56%		1.47%	
	AC277V	4.37%		3.24%	
Power Factor		> 0.9			
Driver Efficiency		≥90%			
Dimming		Driver includes dimming control wiring for 0-10V dimming systems Requires separate 0-10V DC dimming circuit			
Surge Protection		4kV			

## Optical

Specification		Ex-30WR2	Ex-40WR2	Ex-50WR4	Ex-60WR4
Lumen Output		4012lm		7024lm	
Lumens Per Watt*		136.5lm/W			
Beam Angle		120°			
Correlated Color Temperature(CCT)		2700K/4000K/5000K			
Color Rendering Index (CRI)		Ra=83		Ra=84	

## R Series Explosion Proof Linear Light

### Technical Parameter:

Note: All values are typical (tolerance +/- 10%)

#### Mechanical

Specification	Ex-30WR2	Ex-40WR2	Ex-50WR4	Ex-60WR4
Housing Material	SUS 304 stainless steel			
Lens Material	Transparent fiberglass-reinforced polycarbonate (standard) Diffuse fiberglass-reinforced polycarbonate (optional)			
Gasket	Silicone Rubber			
Latches/Clips	Aluminum alloy			
Color	Milky White			
Finish	Epoxy powder coating			
Protection	IP66/IK10/3G Vibration/1200hrs salt spray			
Mounting	Ceiling, rope, and pole mount			
Cable entries	Standard: 4 x NPT3/4 (Side x1 open, Side x3 with stopping plugs) W/EM: 3 x NPT3/4 (Side x1 open, Side x2 with stopping plugs) x self testing button			

#### Temperature performance data:

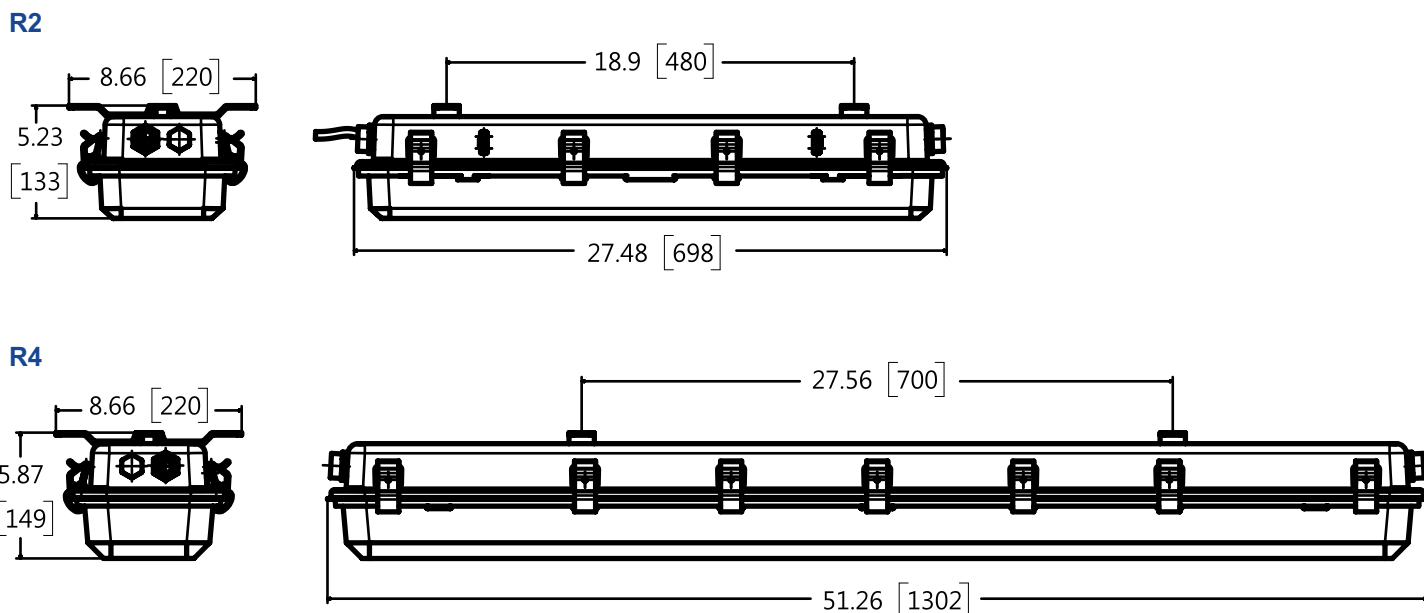
Luminaire Model	Rated Ambient Temperature Range	Operating Temperature (T Code)
Ex-30WR2	-40°C to 50°C	80 C (T6)
Ex-40WR2	-40°C to 50°C	100 C (T5)
Ex-50WR4	-40°C to 50°C	100 C (T5)
Ex-60WR4	-40°C to 50°C	100 C (T5)

### Packing Information:

Model	Net weight lbs. (kg.)	Gross weight lbs. (kg.)	Carton Dimensions (L*W*H) inch.(cm.)
2 foot	11.6(5.27)	14.33(6.5)	32.28x10.24x7.48(82x26x19)
2 foot w/ EM	14.33(6.5)	16.38(7.43)	32.28x10.24x7.48(82x26x19)
4 foot	19.67(8.92)	23.15(10.5)	55.91x10.24x7.48(142x26x19)
4 foot w/ EM	22.49(10.2)	25.44(11.54)	55.91x10.24x7.48(142x26x19)

# R Series Explosion Proof Linear Light

## Dimension:



## Mounting:

\*Mounting screws not provided  
 \*\* Ordered separately, field installed

Options	Description	Kit(inch[mm])	Installed
Ceiling Mount	Provided with two stainless steel mounting kits welded at the back of Housing	Standard Mounting Kit (Included) 	
Rope Mount	Provided with two stainless steel wire. Measured 1 mm diameter.		
Pole Mount	(1) 155° Pipe (2) Pipe Clamp bracket		

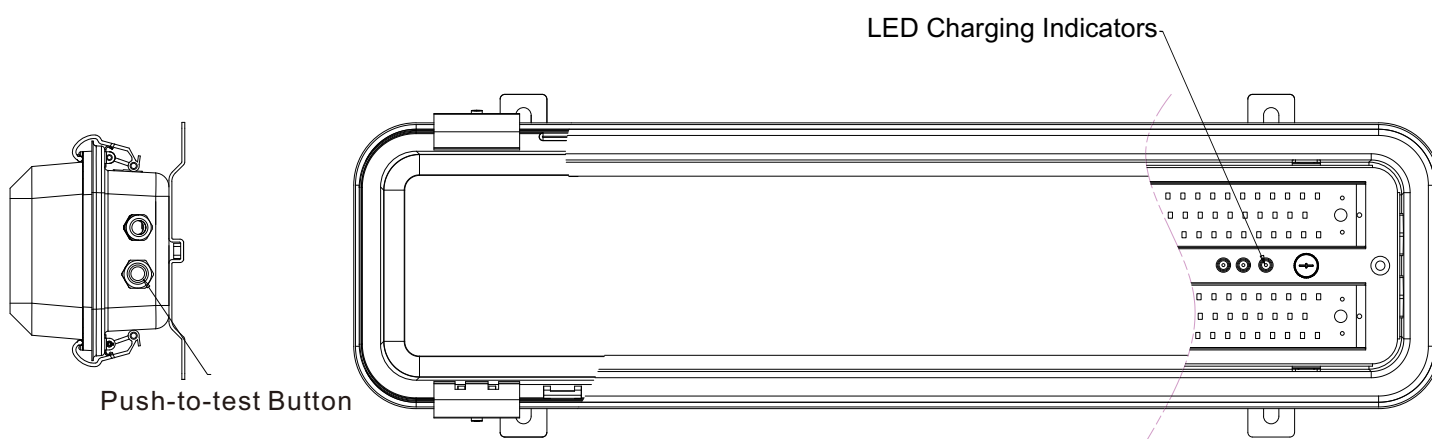
## R Series Explosion Proof Linear Light

### EM DRIVER SPECIFICATION FEATURES - EM-15W-HL:

**CAUTION:** Sealed unit. Battery not replaceable. Replace entire unit when necessary.

Model	Input Rating				Emergency Output Rating	
	Vac	Hz	Max.A	Max.W	Vdc	Constant Wattage, W
EM-15W-HL	120-277	50/60	0.15	9	42-50	15

Model	Charge Time, Hours	Emergency Run Time, Min	Use Environment	Rated Ambient Range, °C	Battery Life Expectancy
EM-15W-HL	24	90	Damp	-10~60	5 Years



LED Indicator State	Representation
Green Light On	Battery charging capacity is more than 80% or fully charged
Red Light On	Battery charging capacity is less than or equal to 80%
Yellow Light On	1. Product failure. 2. Battery charging or discharging capacity is less than or equal to 20%