

Durable Lighting Made for Industrial Safety



Hazardous Location LED Luminaire STA1/STA2 Series

Specsheet-2023-07 EN

VENAS
Venas International Co., Ltd



Product Description

The STA1/STA2 Series LED fixture is the ideal choice for marine and hazardous applications. They can be used in locations where moisture, dirt, dust, corrosion and vibration may be present, or areas where wind, water, snow or high ambient can be expected.

Features

- Suitable for Zone 1&2 (Gas), Zone 21&22 (Dust)
- High luminous efficacy - Up to 120-140 lumens per watt
- 0-10V dimming
- Waterproof and dust-proof, without internal cleaning and maintenance
- Simple structure for easy and quick installation
- Stainless steel fasteners, ADC12 aluminum housing, good corrosion resistance
- Tempered glass, high light transmittance and impact resistance

Compliance

ATEX Standard (Zone 1):

⊕ II 2 G Ex eb mb IIC T6...T4 Gb

⊕ II 2 D Ex tb IIIC T95°C...T125°C Db IP66

ATEX Standard (Zone 2):

⊕ II 3G Ex ec mb IIC T6...T4 Gc

⊕ II 2D Ex tb IIIC T80°C...T125°C Db

IECEX Standard (Zone 1):

Ex eb mb IIC T6...T4 Gb

Ex tb IIIC T95°C...T125°C Db IP66

IECEX Standard (Zone 2):

Ex ec mb IIC T6...T4 Gc

Ex tb IIIC T80°C...T125°C Db

Class I Zone 2 Group IIC

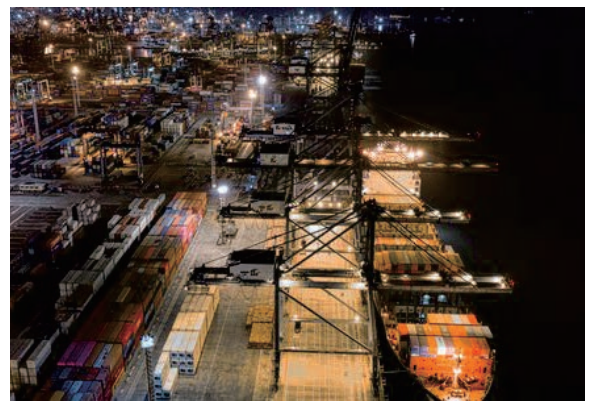
Class II Zone 21 Group IIIC

IP66/IP67

IK06/07 (without wire guard)

IK09 (with wire guard)

1000 hours salt spray



Application

- Power Plants
- Heavy Industrials Storage Facility
- Paper mills
- Wastewater Treatment Plants
- Loading Docks Platforms
- Offshore Environments
- Chemical Processing Facility
- Petrochemical Processing Facility
- Metallurgical Industry
- Coal Mine
- Food and Alcohol industry



Warranty

5-Year Standard Warranty

LED lumen Maintenance: L70> 150,000 Operation Hours@55°C

Technical Parameter

• Electrical

| Specification | EX-xxxW STA1YZD | EX-xxxW STA2YZD |
|-----------------|-----------------|-----------------|
| Rated Power | Max 200W | Max 150W |
| Input Voltage | AC120-277V | AC120-277V |
| Input Frequency | 50/60Hz | 50/60Hz |

• Optical

| Specification | EX-xxxW STA1YZD | EX-xxxW STA2YZD |
|-----------------|------------------------|------------------------|
| Lumen Output | Max 28,000lm | Max 21,000lm |
| Lumens Per Watt | 120-140lm/W | 120-140lm/W |
| CCT | 2700K-7000K | 2700K-7000K |
| CRI | > 70 | > 70 |
| Beam Angle | 40°/60°/90°/120°/T3/T5 | 40°/60°/90°/120°/T3/T5 |
| Dimming | 0-10V dimming | 0-10V dimming |

• Environmental

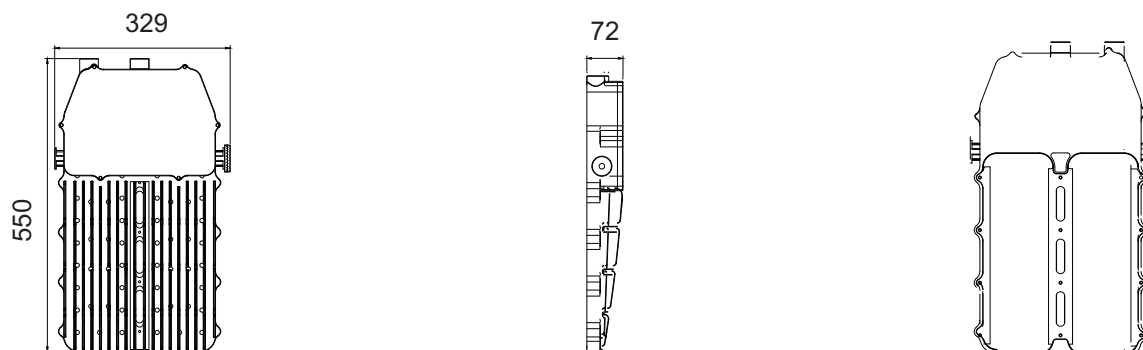
| Specification | EX-xxxW STA1YZD | EX-xxxW STA2YZD |
|-------------------------------|----------------------------------|----------------------------------|
| Ambient Operating Temperature | -40°C to +55°C (-40°F to +131°F) | -40°C to +55°C (-40°F to +131°F) |

• Mechanical

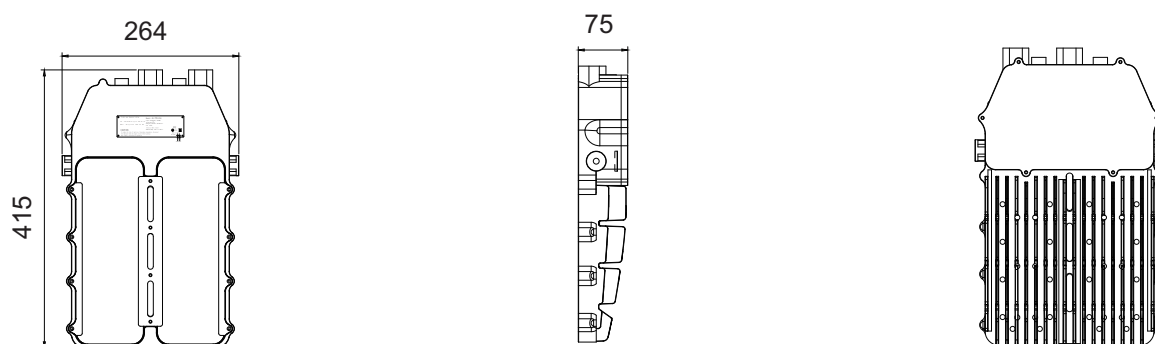
| Specification | EX-xxxW STA1YZD | EX-xxxW STA2YZD |
|------------------|--|--|
| Housing Material | ADC12 aluminum | ADC12 aluminum |
| Glass | Tempered glass | Tempered glass |
| Surface | Explosion-proof joint surface | Explosion-proof joint surface |
| Fasteners | Stainless steel | Stainless steel |
| Protection | IP66/IP67 IK06/07 (without wire guard)/IK09 (with wire guard) | IP66/IP67 IK06/07 (without wire guard)/IK09 (with wire guard) |
| Mounting | Pole, Trunnion, Arm, Slip fitter, Bracket | Pole, Trunnion, Arm, Slip fitter, Bracket |

Product Dimensions Unit:mm

EX-xxxW STA1YZD



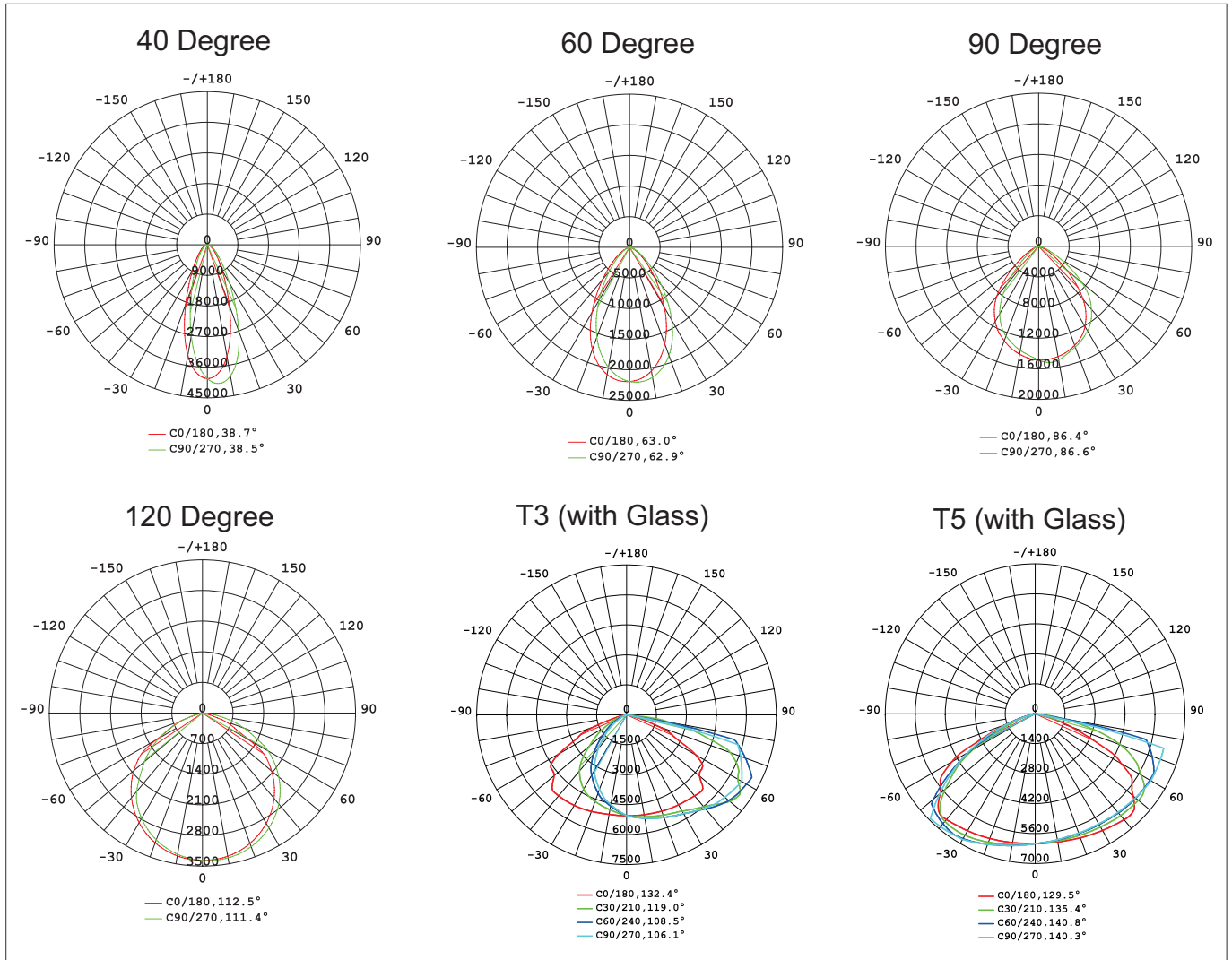
EX-xxxW STA2YZD



- Packing Information

| Model | Net Weight (Product) | Product Dimensions (LxWxH) | Quantity/ Carton | Gross Weight | Package Dimensions (LxWxH) |
|-----------------|----------------------|---------------------------------------|------------------|----------------|--|
| EX-xxxW STA1YZD | 9.5kg/20.94lb | 550x329x72mm/ 21.65x12.95x2.83inch | 1 pc | 10.5kg/23.15lb | 855x375x226mm/ 33.66x14.76x8.89inch |
| EX-xxxW STA2YZD | 6.5kg/14.33lb | 415x264x75mm/ 16.34x10.39x2.95inch | 1 pc | 7.5kg/16.53lb | 560x320x127mm/ 22.05x12.60x5.00inch |

Photometric



Ordering Guide

EX - xxxW STAx Y Z D

EX: Explosion proof light

xxxW: Wattage. STA1: Max 200W, STA2: Max 150W

STAx: Product code. Can be STA1, STA2

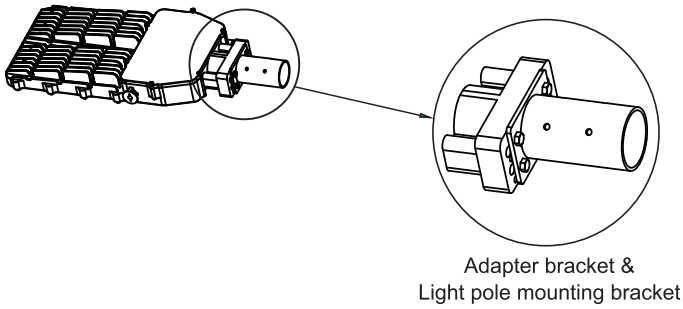
Y: Dimming option. D=dimmable, N=non-dimmable

Z: CCT. Can be 27 to 70, denotes 2700K to 7000K

D: Beam angle. D40=40°, D60=60°, D90=90°, D120=120°, T3=T3, T5=T5

Mounting Methods and Accessories

• Pole Mounting



Adapter bracket &
Light pole mounting bracket

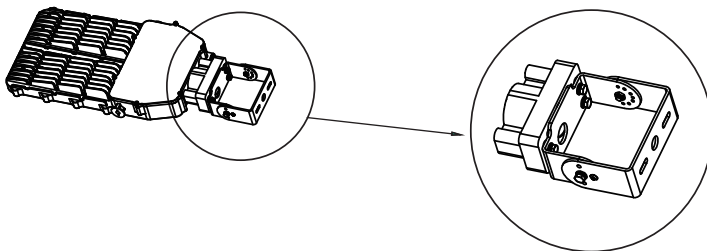


Adapter bracket



Light pole
mounting bracket

• Trunnion Mounting



Adapter bracket &
Trunnion mounting kit

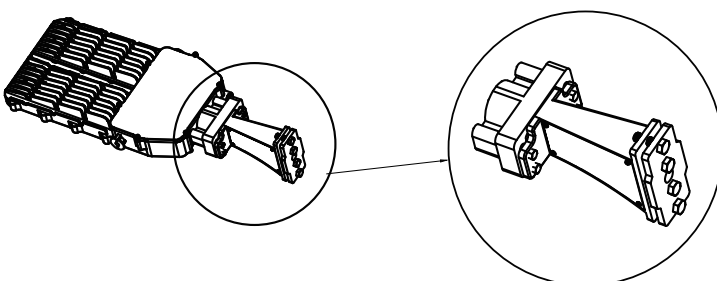


Adapter bracket



Trunnion mounting kit

• Arm Mounting (A)



Adapter bracket &
Arm mounting kit A



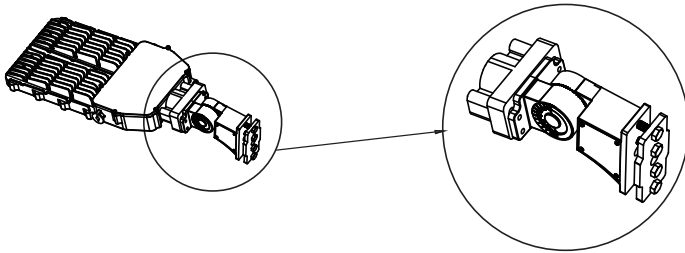
Adapter bracket



Arm mounting kit A

Mounting Methods and Accessories

• Arm Mounting (B)



Adapter bracket &
Adjustable arm mounion kit B

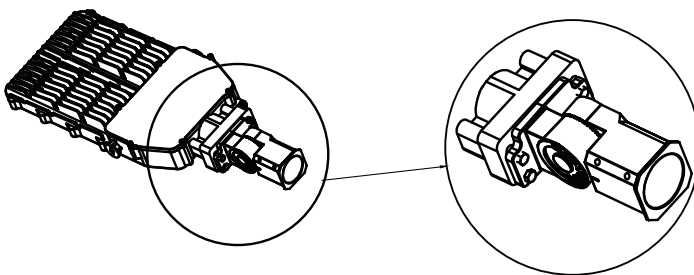


Adapter bracket



Adjustable arm
mounting kit B

• Slip Fitter Mounting



Adapter bracket &
Slip fitter mounion kit

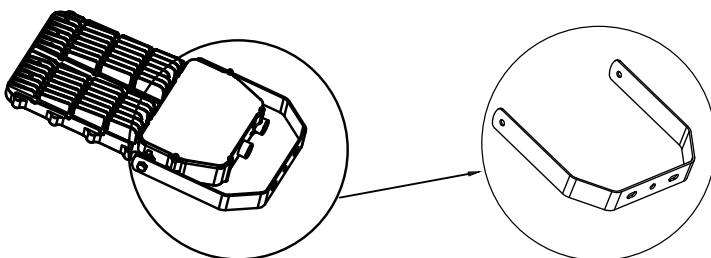


Adapter bracket

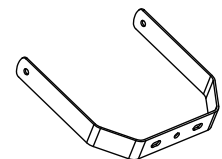


Slip fitter mounion kit

• Bracket Mounting



Steel bracket



Steel bracket