

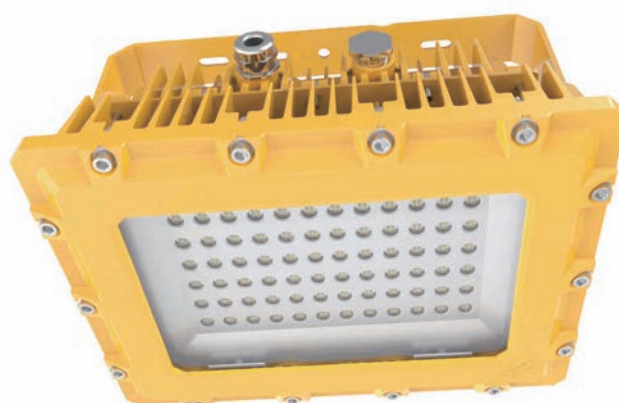
## Specification

# KLE1017-UL

## LED Explosion Proof Light



CE RoHS



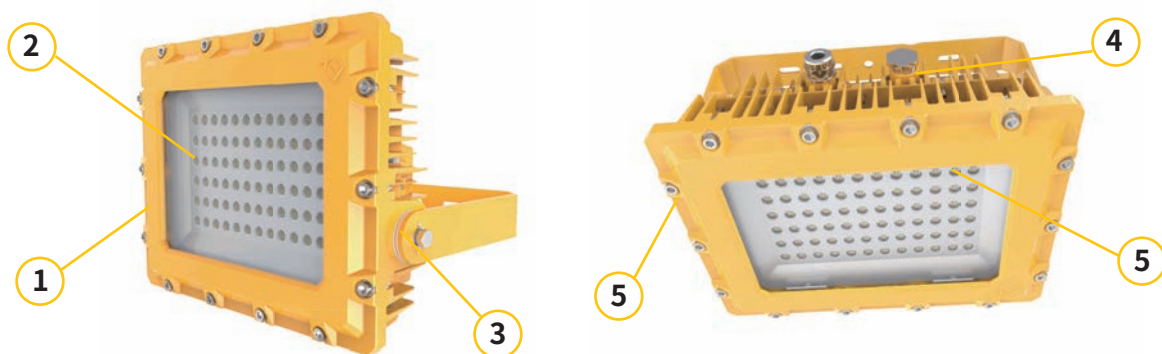
### Classifications:

- ◆ Class I, Division 1, Groups C & D
- ◆ Class I, Division 2, Groups A, B, C & D
- ◆ Class II, Division 1 & 2, Groups E, F & G
- ◆ Class III
- ◆ UL 844 Hazardous Locations
- ◆ UL 1598 Wet Locations
- ◆ UL 8750 LED Safety
- ◆ CSA C22.2 NAO. 250.0-08
- ◆ CSA C22.2 No. 137-M1981
- ◆ -40°F (-40°C) to 149°F (65°C) / -40°F (-40°C) to 131°F (55°C) Ambient Temperature
- ◆ DLC Listed
- ◆ RoHS-2015/863/EU
- ◆ RoHS-2011/65/EU
- ◆ CNEX
- ◆ ATEX/IECEX
- ◆ IP66



## LED Explosion Proof Light-KLE1017

### Key Features:



- ① Heavy duty aluminum alloy housing
- ② Impact resistant clear lens with tempered glass
- ③ Professional light distribution, uniform illumination through the entire space
- ④ Stainless steel safety rope
- ⑤ Standby cable entrance
- ⑥ Accurate angle adjustment for mounting

### Additional Features:

- ◆ Standard 4KV surge protection
- ◆ 120 Beam angle is standard, 30, 60 and 90 are optional.
- ◆ 5-year warranty

### Standard Materials:

- ◆ Body: ADC12, die casting aluminum with yellow-painted finish options.
- ◆ Safety rope: stainless steel
- ◆ Lens: tempered clear glass

### Features & Benefits:

- ① Environmentally Friendly 50,000 hrs lifetime
- ② Superior color rendering index compared to HPS, LPS or MV
- ③ Low temperature applications to -40°F ( -40°C) and high temperature up to 149°F ( 65°C) /131°F ( 55°C)
- ④ Best-in-class efficacy-Up to 110 lumens per watt.
- ⑤ Professional light distribution design, uniform and comfortable lighting
- ⑥ Temperature compensation technology for longer life
- ⑦ Low maintenance costs and power consumption reduced by over 50%

# LED Explosion Proof Light-KLE1017

## Catalog Number Logic

**KLE1017 - U - 120 - 50 - 12 - XX**

1

2

3

4

5

6

### 1 BASIC SERIES

- ◆ KLE1017

### 2 VOLTAGE/FREQUENCY

- ◆ U=100-277V 50/60Hz
- ◆ V=277-480V 50/60Hz

### 3 LAMP WATTAGE

- ◆ 085=85 Watt
- ◆ 100=100 Watt
- ◆ 120=120 Watt
- ◆ 200=200 Watt
- ◆ 135=135 Watt
- ◆ 150=150 Watt
- ◆ 185=185 Watt

### 4 CCT

- ◆ 60=6000K CCT
- ◆ 40=4000K CCT
- ◆ 50=5000K CCT
- ◆ 30=3000K CCT

### 5 LIGHT DISTRIBUTION ANGLE

- ◆ 03=30x30
- ◆ 06=60x60
- ◆ 09=90x90
- ◆ 12=120x120

### 6 OPTIONS

- ◆ HM = Holder Mount
- ◆ CM = Ceiling Mount
- ◆ WM = Wall Mount

Catalog logic is for explaining catalog number structure only.  
Not all combinations are possible; consult factory for catalog numbers not listed in charts.

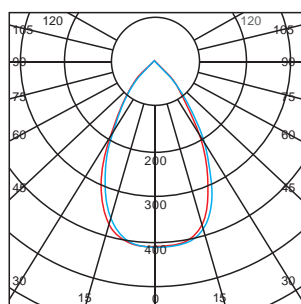
## Certification Guide:

Model	Wattage	Operating Voltage	Total Lumens	Lumen per Watt	CRI	CCT *	Ambient Temperature	Class I, Division 1, Groups C & D	Class I, Div. 2, Group A, B, C&D	Class II, Div. 2, Group F & G Class III	Simultaneous Presence	Supply Wire Suitable Temperature
KLE1017U08550	85W	100-277V 50/60Hz	9610	113	80	5032	-40°F<Tamb<149°F/-40°C<Tamb<65°C	T6	T6	T6	T6	80°C
KLE1017U10050	100W	100-277V 50/60Hz	11000	110	80	5020	-40°F<Tamb<149°F/-40°C<Tamb<65°C	T6	T6	T6	T6	80°C
KLE1017U12050	120W	100-277V 50/60Hz	13680	114	80	5040	-40°F<Tamb<149°F/-40°C<Tamb<65°C	T6	T6	T6	T6	80°C
KLE1017U13550	135W	100-277V 50/60Hz	15120	112	80	5026	-40°F<Tamb<149°F/-40°C<Tamb<65°C	T6	T6	T6	T6	80°C
KLE1017U15050	150W	100-277V 50/60Hz	16500	110	80	5018	-40°F<Tamb<131°F/-40°C<Tamb<55°C	T5	T5	T5	T5	80°C
KLE1017U18550	185W	100-277V 50/60Hz	20540	111	80	5023	-40°F<Tamb<131°F/-40°C<Tamb<55°C	T5	T5	T5	T5	80°C
KLE1017U20050	200W	100-277V 50/60Hz	22000	110	80	5024	-40°F<Tamb<131°F/-40°C<Tamb<55°C	T5	T5	T5	T5	80°C
KLE1017V08550	85W	277-480V 50/60Hz	9610	113	80	5028	-40°F<Tamb<149°F/-40°C<Tamb<65°C	T6	T6	T6	T6	80°C
KLE1017V10050	100W	277-480V 50/60Hz	11000	110	80	5024	-40°F<Tamb<149°F/-40°C<Tamb<65°C	T6	T6	T6	T6	80°C
KLE1017V12050	120W	277-480V 50/60Hz	13680	114	80	5025	-40°F<Tamb<149°F/-40°C<Tamb<65°C	T6	T6	T6	T6	80°C
KLE1017V13550	135W	277-480V 50/60Hz	15120	112	80	5020	-40°F<Tamb<149°F/-40°C<Tamb<65°C	T6	T6	T6	T6	80°C
KLE1017V15050	150W	277-480V 50/60Hz	16500	110	80	5026	-40°F<Tamb<131°F/-40°C<Tamb<55°C	T5	T5	T5	T5	80°C

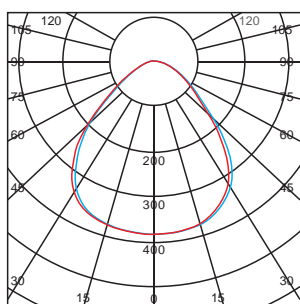
\* All values typical unless otherwise stated (tolerance +/- 10%)

# LED Explosion Proof Light-KLE1017

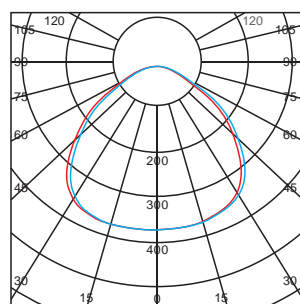
## Photometric Data:



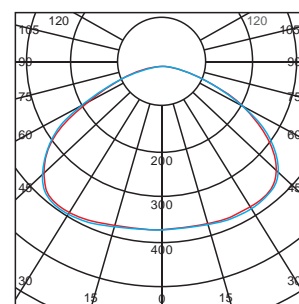
30



60

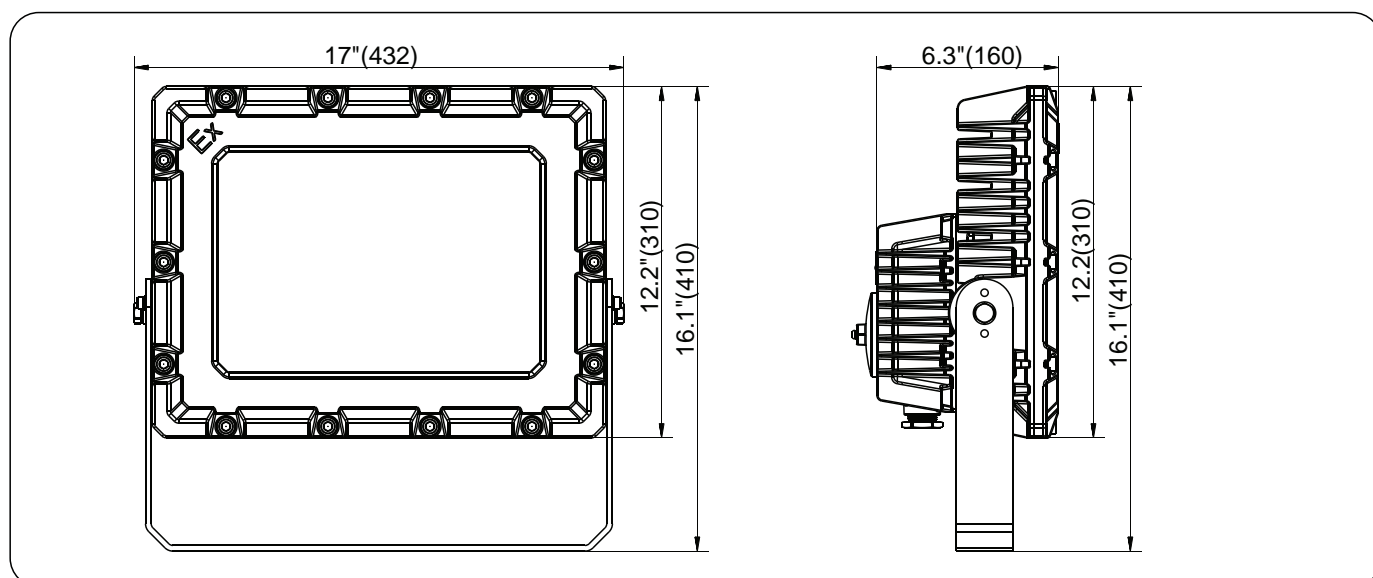


90



120

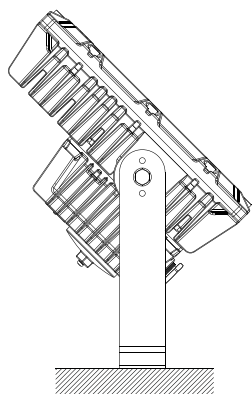
## Fixture Dimensions(mm):



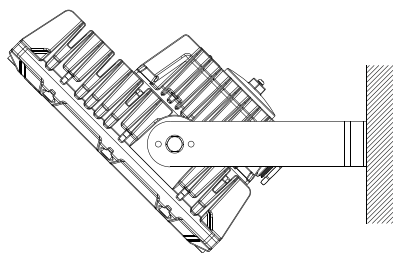
Model	Dimensions(mm)	Net Weight(Kg/lbs.)	Boxed Weight(Kg/lbs.)	Shipping Volume (m <sup>3</sup> /cu ft)
KLE1017U085/KLE1017V085	432*160*410	16.5/36.3	18.5/40.8	0.0384/1.356
KLE1017U100/KLE1017V100	432*160*410	16.5/36.3	18.5/40.8	0.0384/1.356
KLE1017U120/KLE1017V120	432*160*410	16.5/36.3	18.5/40.8	0.0384/1.356
KLE1017U135/KLE1017V135	432*160*410	16.5/36.3	18.5/40.8	0.0384/1.356
KLE1017U150/KLE1017V150	432*160*410	16.5/36.3	18.5/40.8	0.0384/1.356
KLE1017U185	432*160*410	16.5/36.3	18.5/40.8	0.0384/1.356
KLE1017U200	432*160*410	16.5/36.3	18.5/40.8	0.0384/1.356

## Mounting:

Holder



Wall



Ceiling

