



BExS110

Explosion Proof Alarm Horn Sounder

Tomar Electronics flameproof BExS110 alarm sounders are suitable for Zone 1, 2, 21 & 22 applications. Approved to IECEx, ATEX, Ex EAC and INMETRO standards.

Sound level outputs of up to 117dB (A) at 1 meter with a choice of 32 alarm tones and 3 remotely selectable stages. The BEx range features enclosures manufactured from corrosion proof, marine grade copper free LM6 aluminum with chromate and powder coat finish. Available in MED approved and SIL2 compliant versions. For fire applications the BExS110D 24V dc siren is CPD EN89/106/EEC compliant (EN54-3 tested).

Approvals

- IECEx KEM 10.0003X
- IEC 60079-0 : 2011
- IEC 60079-1 : 2007-4
- IEC 60079-31 : 2013

- ATEX KEMA 99ATEX6312X
- EN 60079-0 : 2012 + A11
- EN 60079-1 : 2007
- EN 60079-31 : 2014

- TR-CU Ex EAC certificate: RU C-GB.AA71.B.00109
- VdS certificate: G206011
- CPD certificate: 0786-CPD-20225
- Safety-integrity level: SIL1 (Standard)
- Safety-integrity level: SIL2 (Optional)
- Inmetro certificate: 10-IEEx-0009
- Marine Equipment Directive (MED) Certificate: MEDB00001BU

Coding

- II 2G Ex d IIB T4 Ta -50°C to +70°C
- II 2G Ex d IIC T4 Ta -50°C to +55°C
- II 2D Ex tb IIIC T100°C Db Ta -50°C to +55°C
- II 2D Ex tb IIIC T115°C



- Marine grade, corrosion proof, LM6 aluminum enclosure
- Ingress protection IP66/67

- Stainless steel fixings

- Dual M20 cable entries - adaptors available.

- Stopping plug included.

- Reverse polarity diode fitted.

- Automatic synchronization on multi-sounder system.

- Very large termination area.

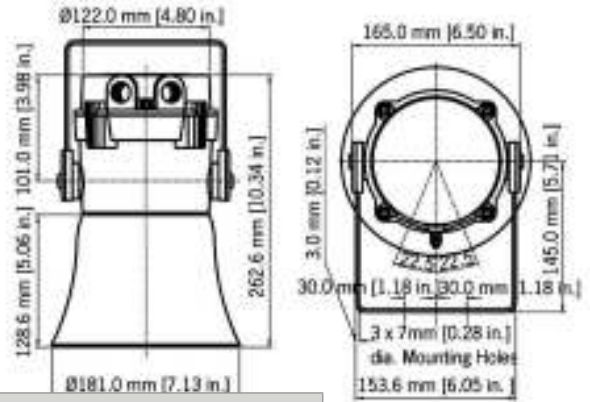
- Ratchet adjustable stainless steel 'U' bracket.



45 alarm tones - any tone can be assigned to any stage

User configurable continuous frequency tone

*SPL data +/-3dB (A). Measured at optimum voltage.



Specifications

Item	Description
Maximum output	117dB (A) @ 1 meter [108dB (A) @ 10ft/3m]
Nominal output	110dB (A) @ 1m +/- 3dB - Tone 2 [101dB (A) @ 10ft/3m]
No. of tones	32 (UKOOA / PFEER compliant)
No. of stages	3
Volume control	Max. 110dB (A); Min. 72dB (A) - Tone 2
Effective range	100m @ 1 KHz
Voltages DC	12vdc; 24vdc; 48vdc
Voltages AC	115vac; 230vac
Stage switching	Negative or positive
Ingress protection	IP66/67
Enclosure material	Marine grade copper free LM6 Aluminum
Enclosure finish	Chromate & powder coated finish - anti-corrosion
Color	RAL3000 Red
BExS110 horn	High impact UL94 V0 & 5VA FR ABS (Red)
Cable entries	Dual M20 ISO (one stopping plug incl.)
Terminals	0.5 - 2.5mm ² (20-14 AWG)
Enclosure volume	<2 liters
Line monitoring	Blocking diode included EOL Min. 500 Ohm 2w, or 3k3 Ohm 0.5w resistor or diode (DC versions) can be fitted
Grounding stud	M5
Temperature range	-50° to +70°C (-58°F to +158°F)
Relative humidity	90% at 20°C [68°F]
Weight	DC: 3.00kg AC: 3.20kg

Ordering Information

Model	Voltage	Current
BExS110DF-012	12 VDC +/- 25%	195mA
BExS110DF-024	24 VDC +/- 25%	265mA
BExS110DF-048	48 VDC +/- 25%	130mA
BExS110DF-115	115 VAC +/-10% 50/60Hz	110mA
BExS110DF-230	230 VAC +/- 10% 50/60Hz	56mA

2 x M20 cable entries; brass stopping plug. 304 (A2) Stainless steel mounting bracket

32 onboard selectable tones:
Please visit our web site for full description and sound files

BExS110

Explosion Proof Alarm Horn Sounder